

PCB Series — Ceramic Housed - Commercial Grade - PC Mount

Features

- Flameproof construction
- Low resistance values available
- Labor saving circuit board mounting
- RoHS compliant / lead-free



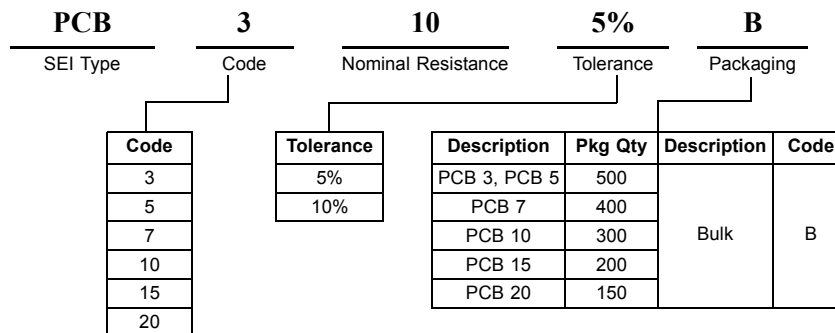
Electrical Specifications			
Type / Code	Power Rating (Watts) @ 70°C	Ohmic Range and Tolerance	
		5%	10%
PCB 3	3W	0.1Ω – 350Ω	0.1Ω – 350Ω
PCB 5	5W	0.1Ω – 500Ω	0.1Ω – 500Ω
PCB 7	7W	0.15Ω – 750Ω	0.15Ω – 750Ω
PCB 10	10W	0.2Ω – 1K	0.2Ω – 1K
PCB 15	15W	0.2Ω – 1K	0.2Ω – 1K
PCB 20	20W	0.3Ω – 1.25K	0.3Ω – 1.25K

Resistance Temperature Coefficient: ±300ppm/°C 1Ω and below & ±800ppm/°C above 1Ω

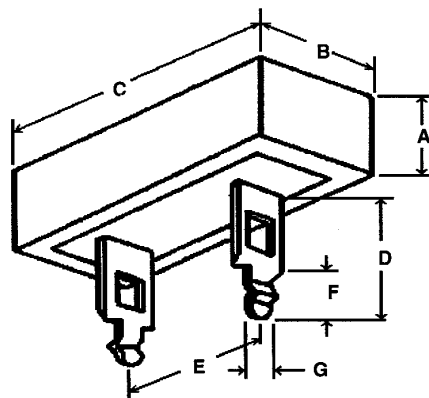
Power Derating



How to Order



PCB Series — Ceramic Housed - Commercial Grade - PC Mount



Terminal alignment $\pm 5^\circ$

Mechanical Specifications

Type / Code	A	B	C	D	E	F	G	Units
Tolerance	± 0.030	± 0.030	± 0.050	± 0.062	± 0.060	± 0.010	± 0.005	inches
	± 0.76	± 0.76	± 1.3	± 1.6	± 1.5	± 0.3	± 0.12	mm
PCB 3	0.375 9.5	0.375 9.5	0.900 22.9	0.590 15	0.500 12.7	0.180 4.6	0.059 1.5	inches mm
PCB 5	0.375 9.5	0.375 9.5	1.070 27.2	0.590 15	0.590 15	0.180 4.6	0.059 1.5	inches mm
PCB 7	0.375 9.5	0.375 9.5	1.400 35.6	0.590 15	0.886 22.5	0.180 4.6	0.059 1.5	inches mm
PCB 10	0.375 9.5	0.375 9.5	1.900 48.3	0.590 15	1.380 35.1	0.180 4.6	0.059 1.5	inches mm
PCB 15	0.500 12.7	0.500 12.7	1.900 48.3	0.590 15	1.280 32.5	0.180 4.6	0.059 1.5	inches mm
PCB 20	0.500 12.7	0.500 12.7	2.500 63.5	0.590 15	1.850 47	0.180 4.6	0.059 1.5	inches mm