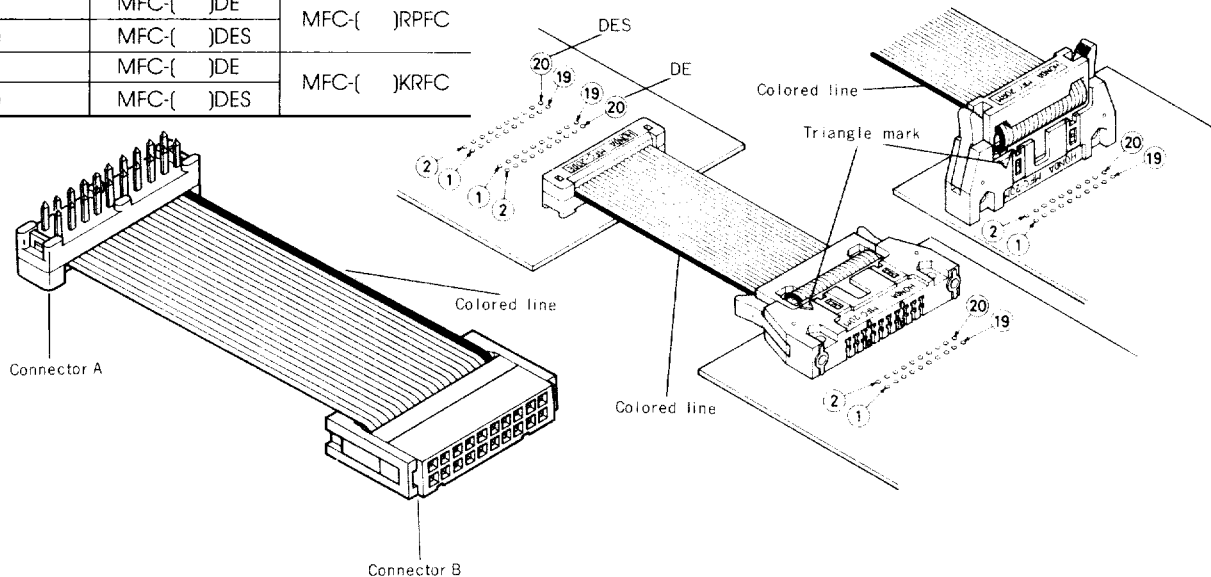


DIP TYPE CABLE ASSEMBLY

HONDA dip type connectors can be supplied as assembled with cables on customer's order. Cable assemblies of the type mentioned here are standard. For other dip type cable assemblies, please consult with us.

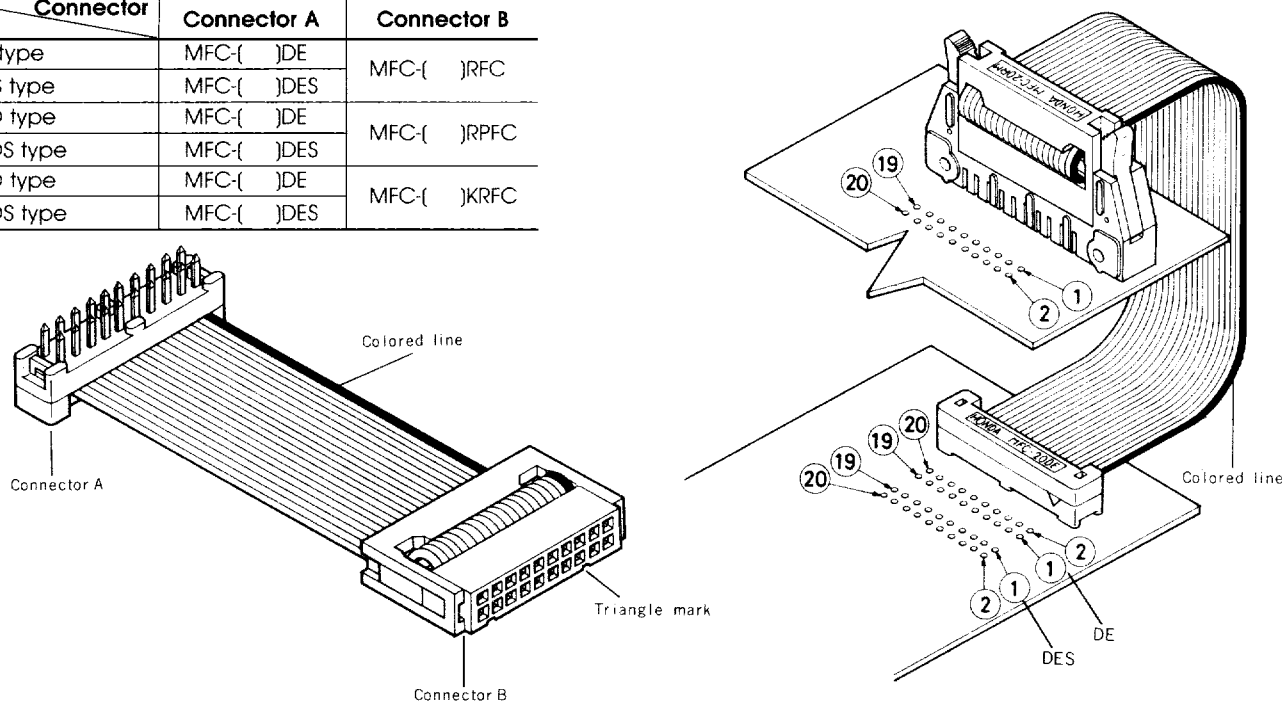
MFC-()RC-() ()

Type	Connector	Connector A	Connector B
RC type		MFC-()DE	MFC-()RFC
RCS type		MFC-()DES	
RPC type		MFC-()DE	MFC-()RPFC
RPCS type		MFC-()DES	
KRC type		MFC-()DE	MFC-()KRFC
KRCS type		MFC-()DES	



MFC-()RD-() ()

Type	Connector	Connector A	Connector B
RD type		MFC-()DE	MFC-()RFC
RDS type		MFC-()DES	
RPD type		MFC-()DE	MFC-()RPFC
RPDS type		MFC-()DES	
KRD type		MFC-()DE	MFC-()KRFC
KRDS type		MFC-()DES	



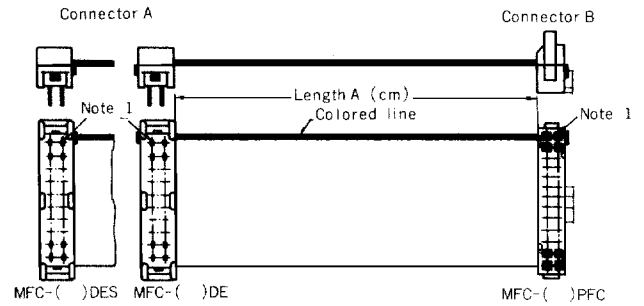
● Part No. (Ordering No.)

MFC-()-()-()-()

- Series prefix
- Number of contacts
- Type
- length (cm)
- type of cable (abbreviation)

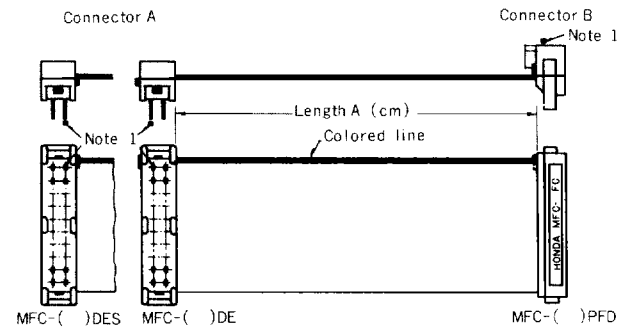
MFC-()C-()-()

Type	Connector	Connector A	Connector B
C type		MFC-()DE	MFC-()JFC
CS type		MFC-()DES	
PC type		MFC-()DE	MFC-()PFC
PCS type		MFC-()DES	
KC type		MFC-()DE	MFC-()KFC
KCS type		MFC-()DES	



MFC-()D-()-()

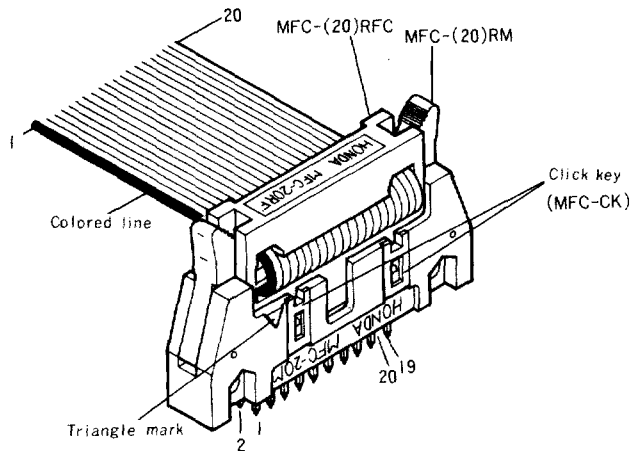
Type	Connector	Connector A	Connector B
D type		MFC-()DE	MFC-()JFC
DS type		MFC-()DES	
PD type		MFC-()DE	MFC-()PFC
PDS type		MFC-()DES	
KD type		MFC-()DE	MFC-()KFC
KDS type		MFC-()DES	



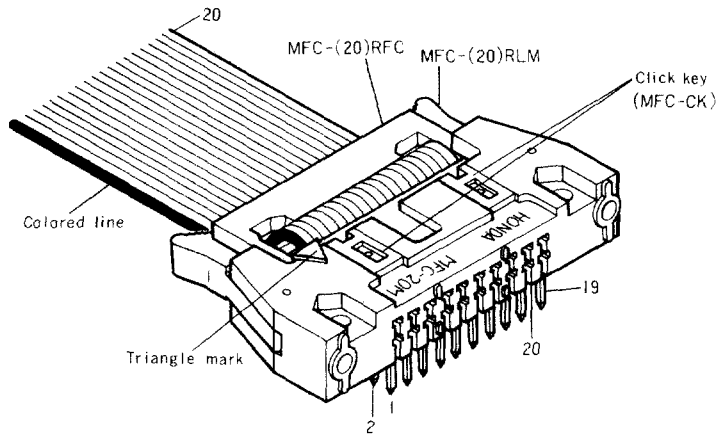
Note 1: Marks indicate the positions of corresponding contacts.
 Note 2: Please note that the type differs depending on the type of connectors.
 Note 3: For the tolerance of the cable length, see Page 9.

COLORED LINE, TRIANGLE MARK AND MALE TERMINAL ARRANGEMENT

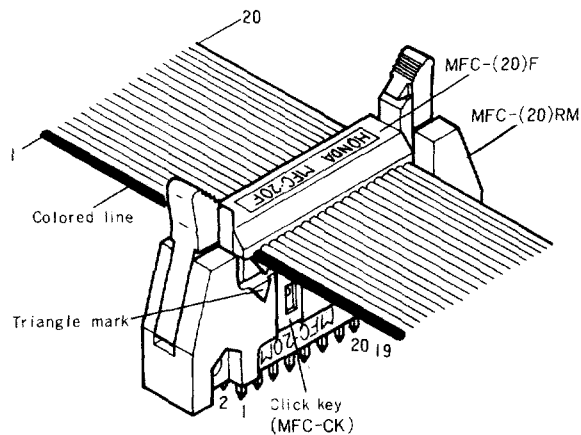
MFC-(20)RFC
+
MFC-(20)RM
+
MFC-CK



MFC-(20)RFC
+
MFC-(20)RLM
+
MFC-CK

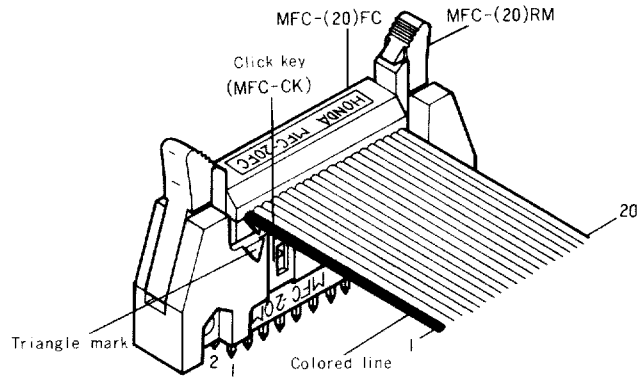


MFC-(20)F
+
MFC-(20)RM
+
MFC-CK



Both female and male connectors have triangle marks "▽" but no terminal No. For the relation between the flat cables the female and male connectors, please refer to this page, too.

MFC-(20)FC
+
MFC-(20)RM
+
MFC-CK



MFC-(20)RF
+
MFC-(20)RM
+
MFC-CK

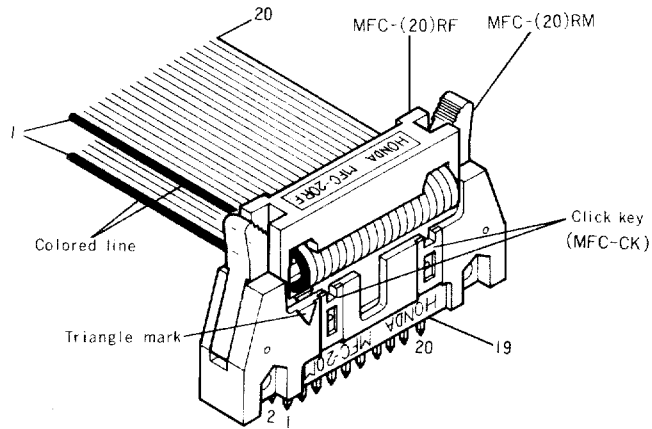


Table of Connector Combination

Male \ Female	M, LM MW, LMW	RM, RLM RMW, RLMW	PM, LPM PMW, LPMW	RPM, RLPM RPMW, RLPW	KSRM KSRLM	TMW
F, FC	○	○	◆	◆	/	○
RF, RFC	○	○	◆	◆	/	○
PF, PFC	□	□	●	●	/	◆
RPF, RPFC	□	□	●	●	/	◆
KF, KFC	□	/	●	/	●	◆
KRF, KRFC	□	○	●	○	/	◆
HF	□	□	●	●	/	◆

- Recommended combination
Adding the click key (MFC-CK) can prevent erroneous insertion.
- Recommended combination
The combination can prevent erroneous insertion with excellent guidability.
- Recommended combination
Adding the polarizing key (MFC-26F-7) can prevent erroneous insertion.
- ◆ Combination possible
Adding the polarization key (MFC-26F-7) can prevent erroneous insertion with excellent guidability.
- Combination possible
Adding the polarization key (MFC-26F-7) can prevent erroneous insertion.