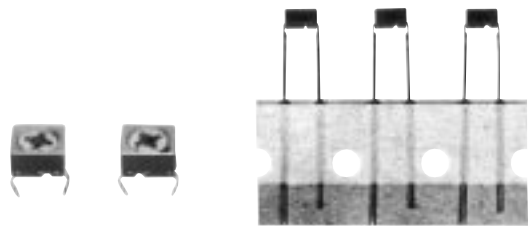


### Adjustable(pre-set) Ceramic Capacitors

Series: **L**



Series L is miniaturized and thin type encased in square plastic cases.

Taped types are available for automated insertion machines.

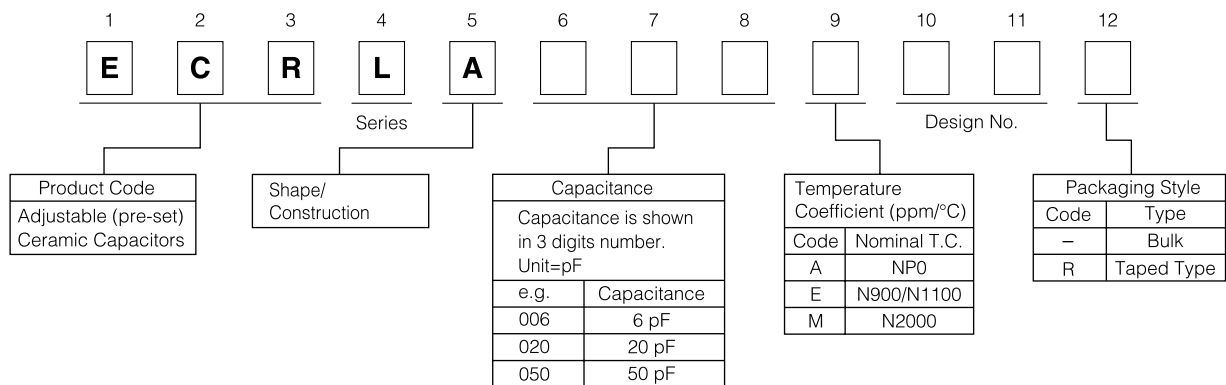
#### ■ Features

- Miniaturized and thin type insertion mounting device:  
4.0 x 4.5 x 2.7 mm
- Radial taped types are available for automated insertion machines
- Distinguishable capacitance from coloured cases
- Wide range of nominal capacitance of 3 to 50 pF

#### ■ Recommended Applications

- TV and VTR
- Audio equipments
- Electronic equipments

#### ■ Explanation of Part Numbers



#### ■ Ratings and Characteristics

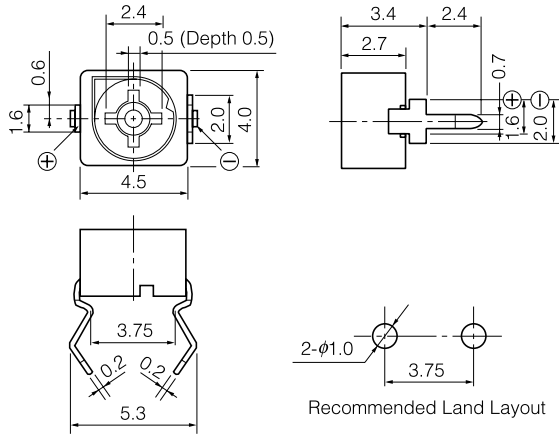
Item	Ratings
Rated Voltage	100 VDC
Dielectric Withstanding Voltage	220 VDC
Insulation Resistance (at C max.)	10 <sup>4</sup> MΩ min. at 100 VDC and 1 minute electrification
Rotation Torque	1.47 to 9.81 mN · m
Operating Temperature Range	- 25 to +85 °C

Part Number			Capacitance (pF)		Temperature Coefficient (ppm/°C)	Q (at C max.)	Color
Type 12	Type 52	Type 53	max.	min.			
ECRLA003A12	ECRLA003A52	ECRLA003A53R	3 <sup>+50</sup> / <sub>0</sub> %	1.7 max.	NP0±200	300 min.(10 MHz)	White
ECRLA006A12	ECRLA006A52	ECRLA006A53R	6 <sup>+50</sup> / <sub>0</sub> %	2.5 max.	NP0±200		500 min. (10 MHz)
ECRLA010A12	ECRLA010A52	ECRLA010A53R	10 <sup>+50</sup> / <sub>0</sub> %	3.5 max.	NP0±300	300 min.(1 MHz)	
ECRLA020E12	ECRLA020E52	ECRLA020E53R	20 <sup>+50</sup> / <sub>0</sub> %	5.5 max.	N900±350		200 min.(1 MHz)
ECRLA030E12	ECRLA030E52	ECRLA030E53R	30 <sup>+50</sup> / <sub>0</sub> %	7.5 max.	N1100±450	300 min.(1 MHz)	
ECRLA050M12	ECRLA050M52	ECRLA050M53R	50 <sup>+50</sup> / <sub>0</sub> %	15.0 max.	N2000±600		300 min.(1 MHz)

■ Dimensions in mm (not to scale)

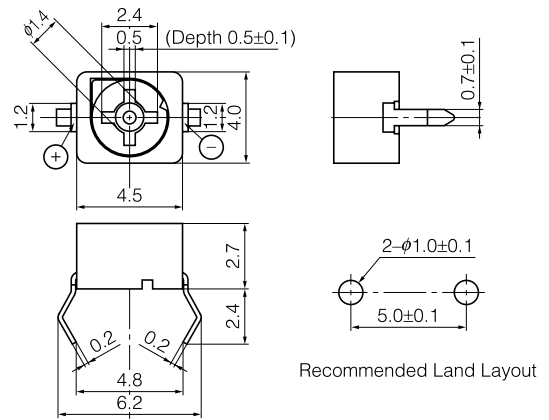
Type 12

ECRLA□□□□12



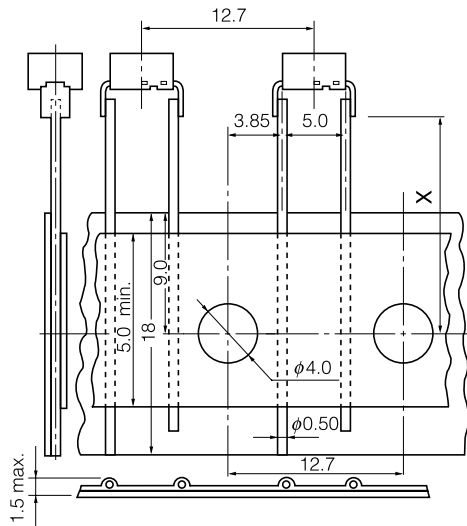
Type 52

ECRLA□□□□52



Type 53 (Radial Taping)

ECRLA□□□□53R

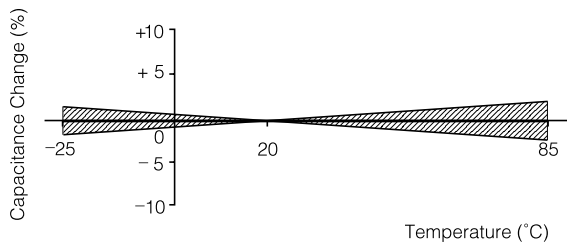


Part Number	Dim. "X" (mm)
ECRLA□□□□53R	16.5

■ Typical Characteristics

Temperature Characteristics

ECRLA010A



ECRLA020E

