
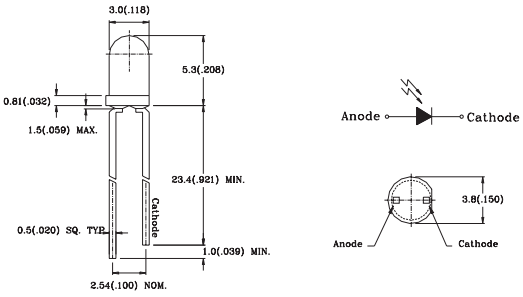

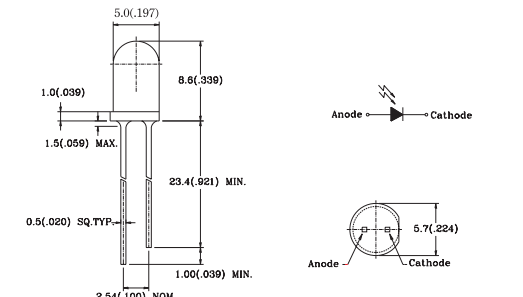



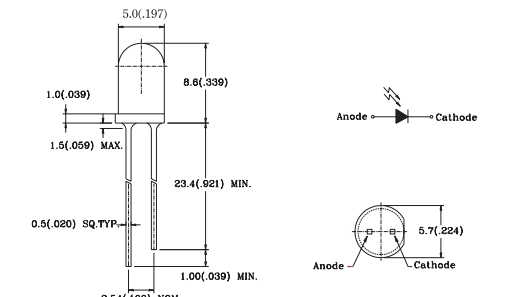


Photodiode End Look

Part Number	Chip		Lens Color	Electrical & Optical Characteristics				Viewing Angle 2θ 1/2
	Material	Wave length λ p(nm)		Light Current I_L (uA) @ $V_R=5V$ $E_e=5 \text{ mW/cm}^2$	Open Circuit Voltage V_{oc} (mV) @ $E_e=0.5 \text{ mW/cm}^2$	Reverse Breakdown Voltage V_{BR} (V) @ $I_R=0.1 \text{ mA}$ $E_e=0 \text{ mW/cm}^2$	Reverse Dark Current I_D (nA) @ $V_R=10V$ $E_e=0 \text{ mW/cm}^2$	
				Typ.	Max.	Min.	Max.	

								
BPD-BQA331	Si-Photodiode (PIN)	940(400-1100)	Water	60	400	30	30	35
BPD-BQB331		940(400-1100)		Clear	70	400	30	

								
BPD-BQA334	Si-Photodiode (PIN)	940(400-1100)	Water	60	400	30	30	30
BPD-BQB334		940(400-1100)		Clear	70	400	30	
BPD-BQD334		940(400-1100)	80		400	30	30	

								
BPD-BQA934	Si-Photodiode (PIN)	940(750-1100)	Black	60	400	30	30	30
BPD-BQB934		940(750-1100)		70	400	30	30	
BPD-BQD934		940(750-1100)		80	400	30	30	