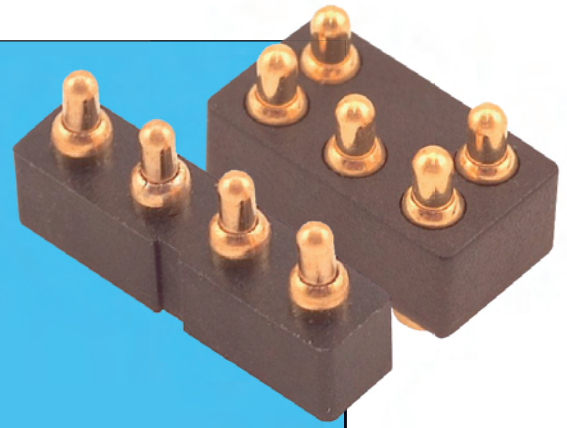


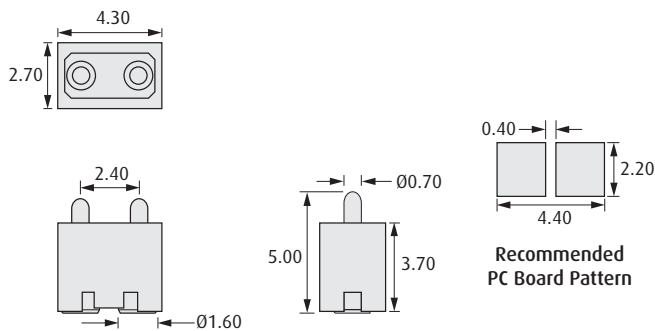
# Spring Contact Connectors

A range of spring contact connectors for maintaining a positive force against a mating surface.

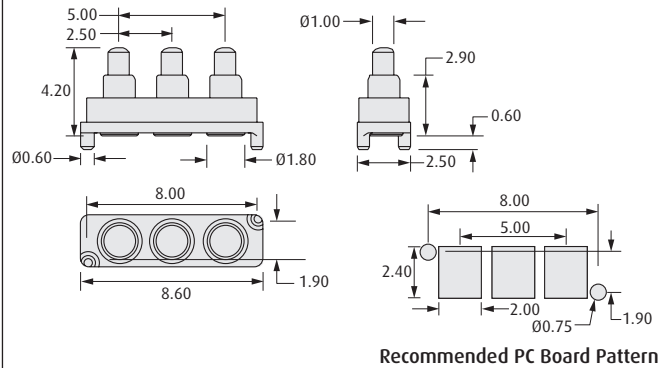
- ❖ Low mating force enables rapid and effortless connection for a user friendly system.
- ❖ Tolerates significant mating misalignment.
- ❖ Ideal for use in portable equipment where separate battery modules are used and for data transfer docking stations.



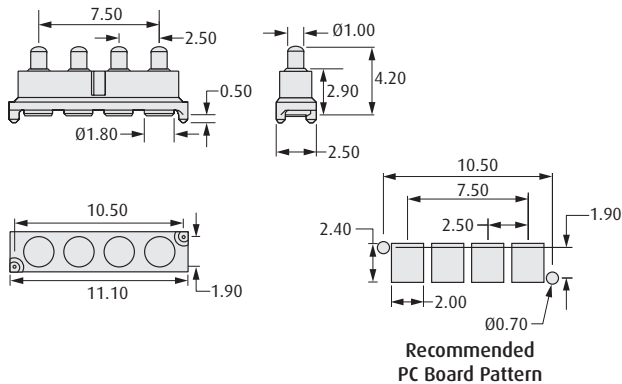
## 2 CONTACTS



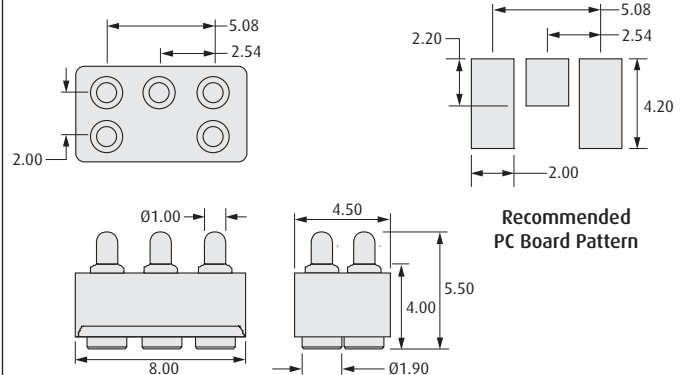
## 3 CONTACTS



## 4 CONTACTS



## 5 CONTACTS



## HOW TO ORDER

**P20 - XX 45 R**

SERIES CODE

TOTAL NO. OF CONTACTS

02 to 05

TAPE AND REEL

FINISH

45 Gold



All dimensions in mm.

[www.harwin.com](http://www.harwin.com)

