

MF**Series****OF OPTICAL FIBER CONNECTOR**

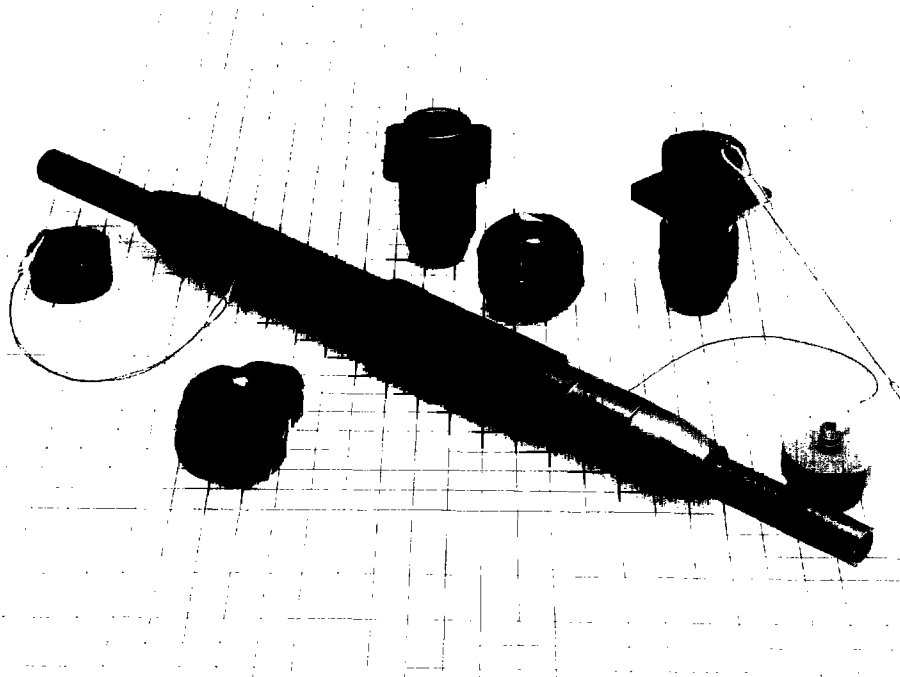
MF SERIES-MULTIPIN WATERPROOF OPTICAL FIBRE CONNECTOR

SCOPE:

The MF series is a waterproof optical multiple fibre connector that is most suitable for outdoor optical transmission systems. Available in rugged thread-lock and easy-to-use bayonet versions.

2, 4, 6-position models are available.

Optical coupling has been achieved by the same coil spring as used for FC optical connectors, and a butt-joint system of the ferrule by a precision split sleeve. The result is low insertion loss multi-mode optical fibres.



FEATURES:

- (1) Waterproof construction.
- (2) Available in bayonette and thread lock versions.

APPLICATIONS:

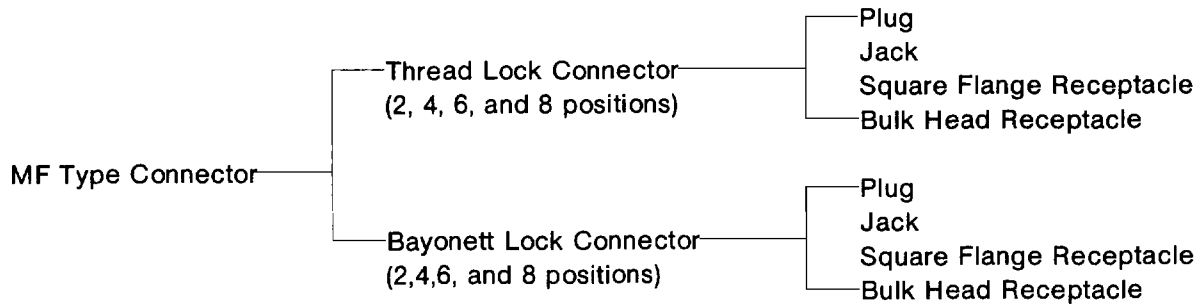
External optical transmission systems. Local area networks. LAN. CATV. CPU optical channel, etc.

OF OPTICAL FIBER CONNECTOR

MAIN MATERIAL:

Part Name	Material	Treatment
Plug Housing	Copper, Aluminum	Nickel Plating
Coil Spring	Stainless Steel	
Ferrule	Stainless Steel + Zirconia	
Jack	Copper, Alminum	Nickel Plating
Split Sleeve	Copper Alloy	
Receptacle	Copper, Aluminum	Nickel Plating
Ferrule Case	Polybutylene-terephthalate	

VARIETY:

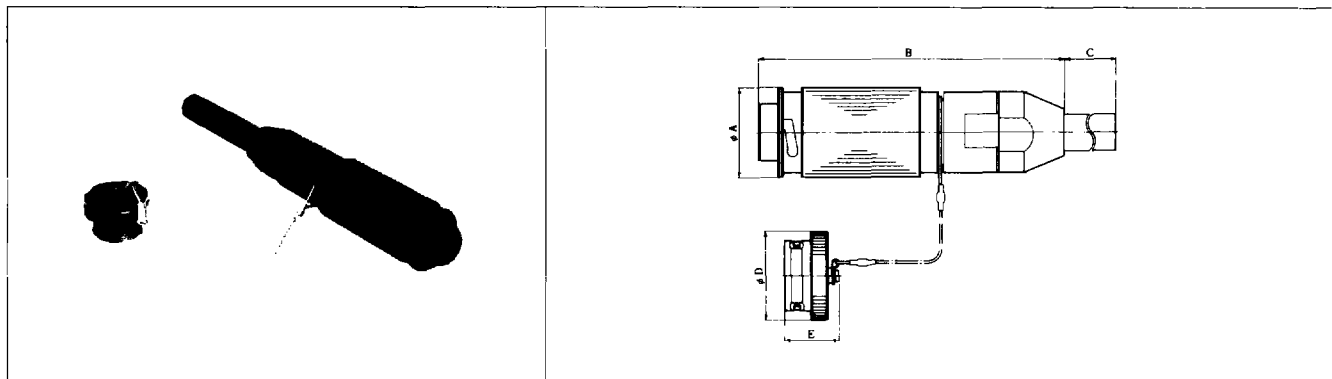


* For plugs and jacks, use group spacers and layer cables.

OF OPTICAL FIBER CONNECTOR

<BAYONETTE LOCK CONNECTOR>

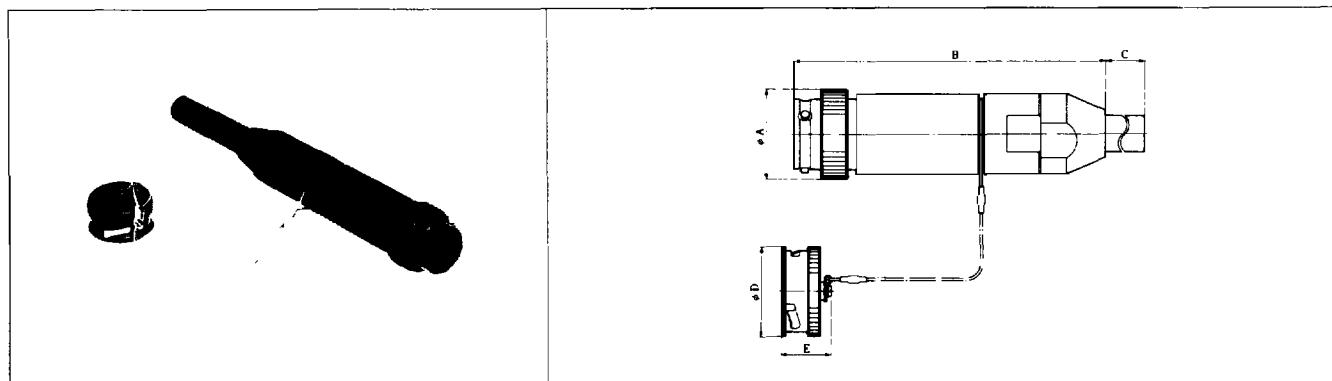
● PLUG HOUSING



Part No.	No. of Pin	ϕA	B	C	ϕD	E
MF14B-WP*S01-0200	2	24	82.5	38.5	24	21
MF17B-WP*S01-0400	4	27	116.5	52	27	21
MF22B-WP*S01-0600	6	34.5	118	52	34.5	21
MF28B-WP*S01-0800	8	42.5	118	52	42.5	21

*Specify the cable diameter.

● JACK HOUSING

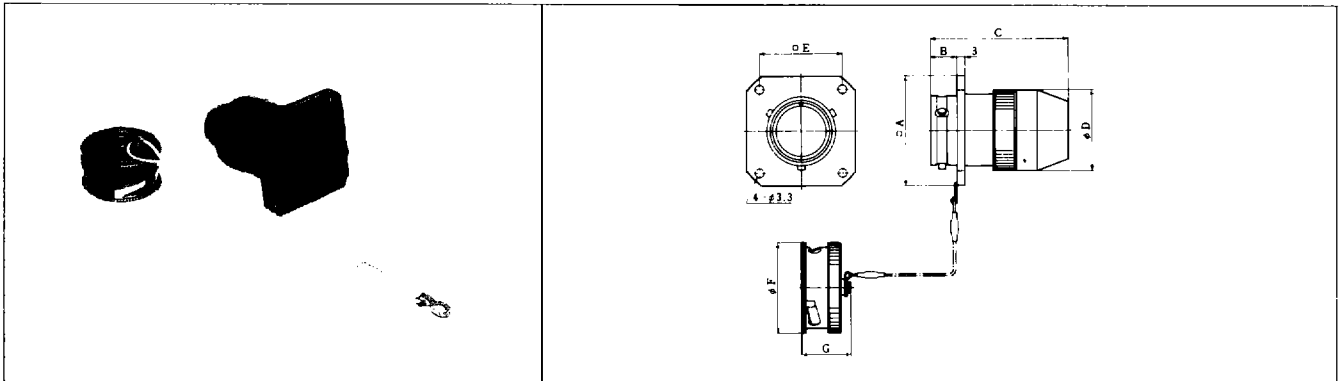


Part No.	No. of Pin	ϕA	B	C	ϕD	E
MF14B-WJ*S01-0200	2	24	85	38.5	24	18.8
MF17B-WJ*S01-0400	4	27	119	52	27	18.7
MF22B-WJ*S01-0600	6	34.5	120.5	52	34.5	19.7
MF28B-WJ*S01-0800	8	42.5	120.5	52	42.5	19.7

*Specify the cable diameter.

OF OPTICAL FIBER CONNECTOR

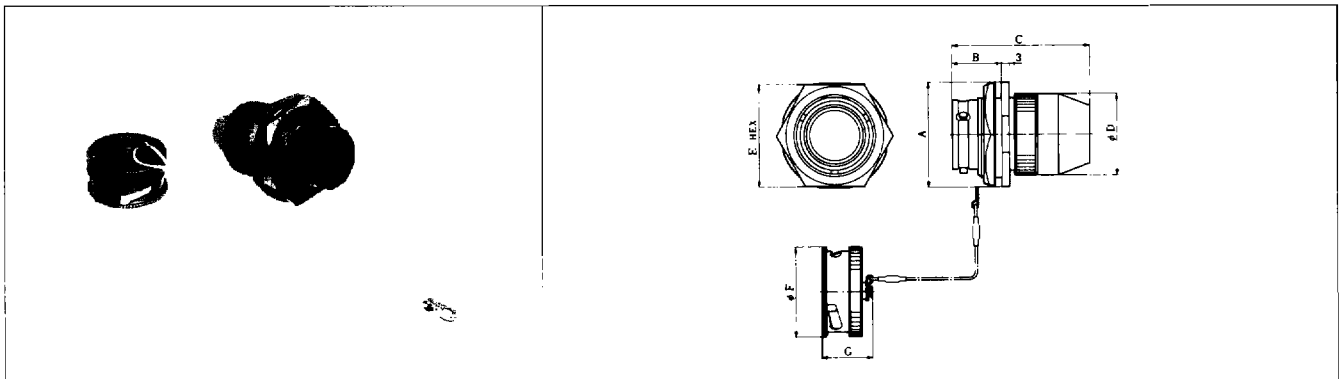
● SQUARE FLANGE RECEPTACLE HOUSING



Part No.	No. of Pin	□A	B	C	φD	□E	φF	G
MF14B-WRF01-0200	2	30	9	45.5	20.5	23	24	18.8
MF17B-WRF01-0400	4	35	9	51.5	25.5	27	27	18.7
MF22B-WRF01-0600	6	42	10.2	53.5	31	32	34.5	19.7
MF28B-WRF01-0800	8	50	10.2	53.5	37	38	42.5	19.7

Note: Applicable cable is φ 2~3mm single cord.

● BULKHEAD RECEPTACLE HOUSING



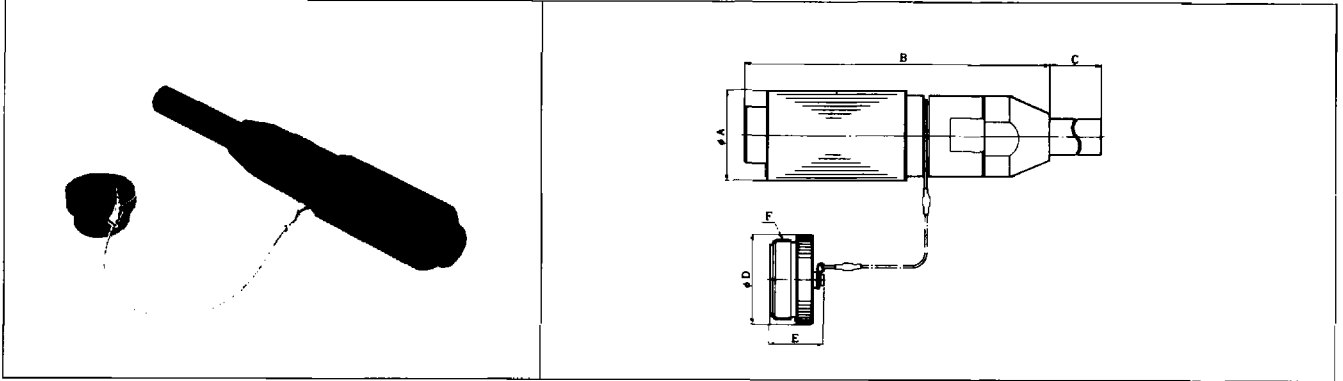
Part No.	No. of Pin	A	B	C	φD	E	φF	G
MF14B-WRB01-0200	2	30	17.5	45.5	20.5	28	24	18.8
MF17B-WRB01-0400	4	34	17.5	51.5	25.5	32	27	18.7
MF22B-WRB01-0600	6	40	19.2	53.5	31	39	34.5	19.7
MF28B-WRB01-0800	8	48	19.2	53.5	37	46	42.5	19.7

Note: Applicable cable is φ 2~3mm single cord.

OF OPTICAL FIBER CONNECTOR

<THREAD LOCK CONNECTOR>

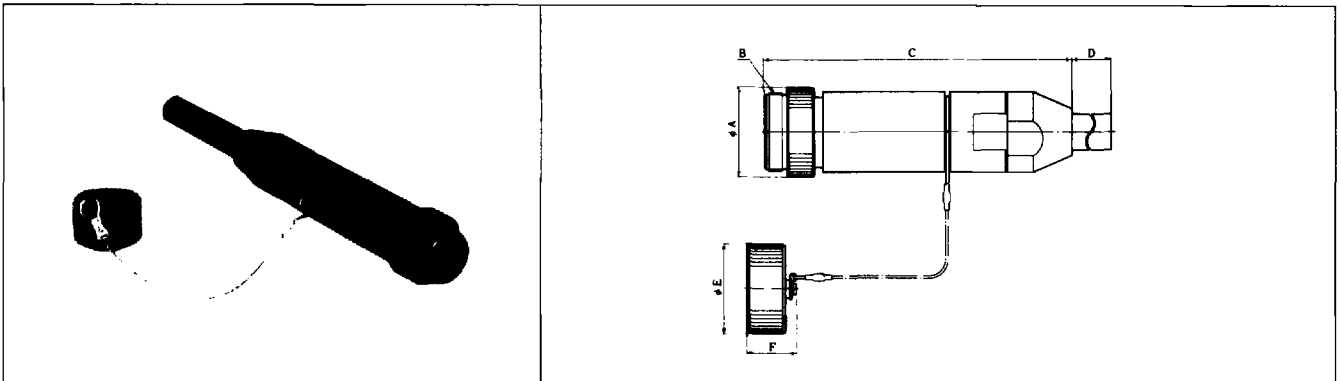
● PLUG HOUSING



Part No.	No. of Pin	ϕ A	B	C	ϕ D	E	F
MF14S-WP*S01-0200	2	24	82.5	38.5	24	20.7	M20×1
MF17S-WP*S01-0400	4	27	116.5	52	27	20.7	M22×1
MF22S-WP*S01-0600	6	34.5	118	52	34.5	20.7	M30×1
MF28S-WP*S01-0800	8	42.5	118	52	42.5	20.7	M38×1.5

Note: Specify the cable diameter.

● JACK HOUSING

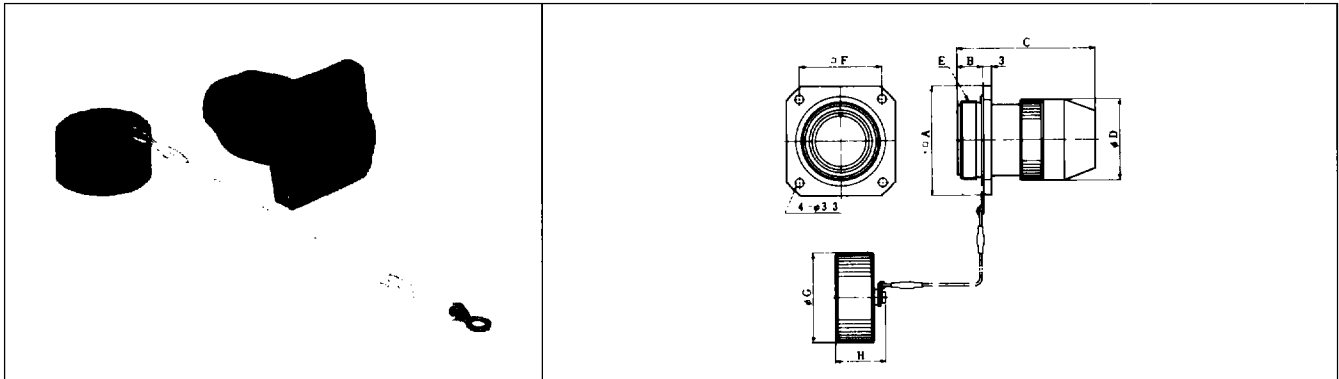


Part No.	No. of Pin	ϕ A	B	C	D	ϕ E	F
MF14S-WJ*S01-0200	2	24	M20×1	85	38.5	24	18.5
MF17S-WJ*S01-0400	4	27	M22×1	119	52	27	18.5
MF22S-WJ*S01-0600	6	34.5	M30×1	120.5	52	34.5	19.5
MF28S-WJ*S01-0800	8	42.5	M38×1.5	120.5	52	42.5	19.5

Note: Specify the cable diameter.

OF OPTICAL FIBER CONNECTOR

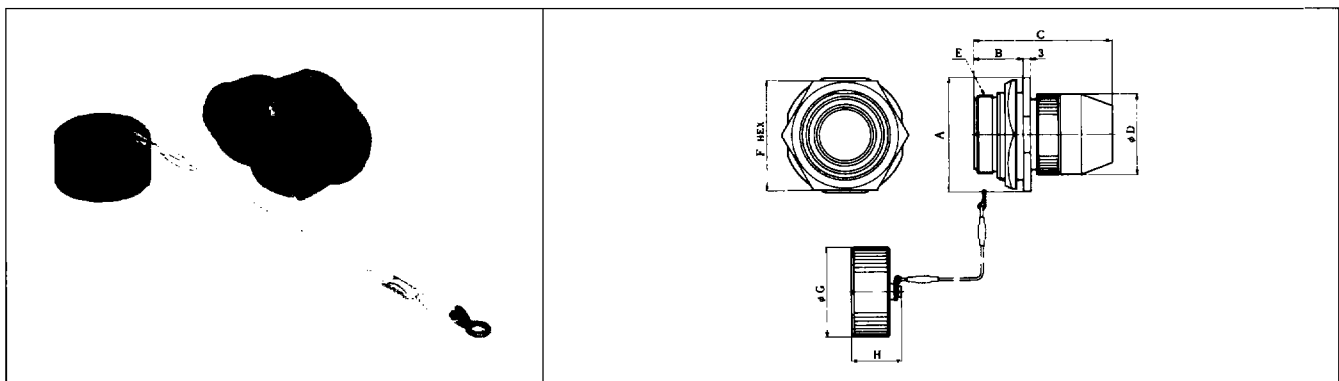
● SQUARE FLANGE RECEPTACLE HOUSING



Part No.	No. of Pin	□A	B	C	φD	E	□F	φG	H
MF14S-WRF01-0200	2	30	10	45.5	20.5	M20×1	23	24	18.5
MF17S-WRF01-0400	4	35	10	51.5	25.5	M22×1	27	27	18.5
MF22S-WRF01-0600	6	42	10	53.5	31	M30×1	32	34.5	19.5
MF28S-WRF01-0800	8	50	10	53.5	37	M38×1.5	38	42.5	19.5

Note: Applicable cable is φ 2~3mm single cord.

● BULKHEAD RECEPTACLE HOUSING

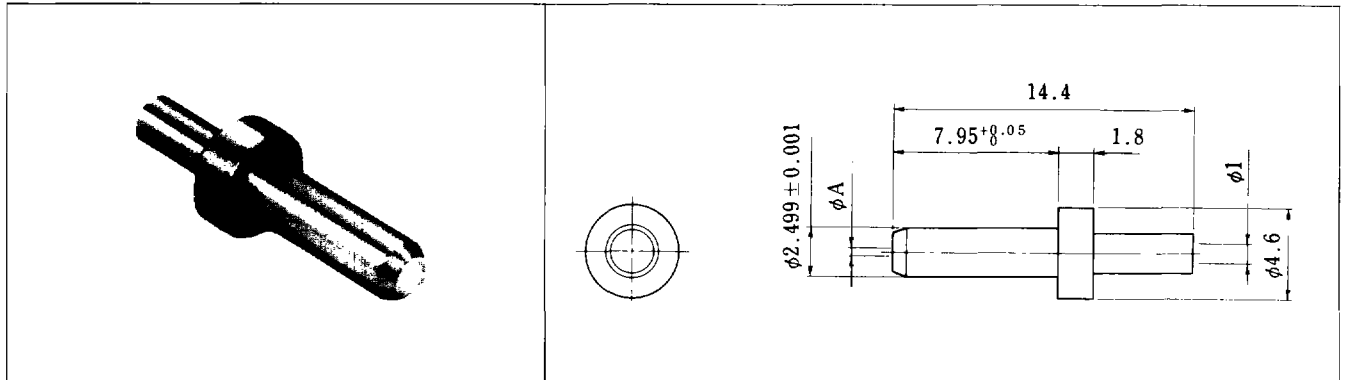


Part No.	No. of Pin	A	B	C	φD	E	□F	φG	H
MF14S-WRB01-0200	2	31	17.5	45.5	20.5	M20×1	32	24	18.5
MF17S-WRB01-0400	4	34	17.5	51.5	25.5	M22×1	32	27	18.5
MF22S-WRB01-0600	6	44	18.9	53.5	31	M30×1	42	34.5	19.5
MF28S-WRB01-0800	8	51	18.9	53.5	37	M38×1.5	49	42.5	19.5

Note: Applicable cable is φ 2~3mm single cord.

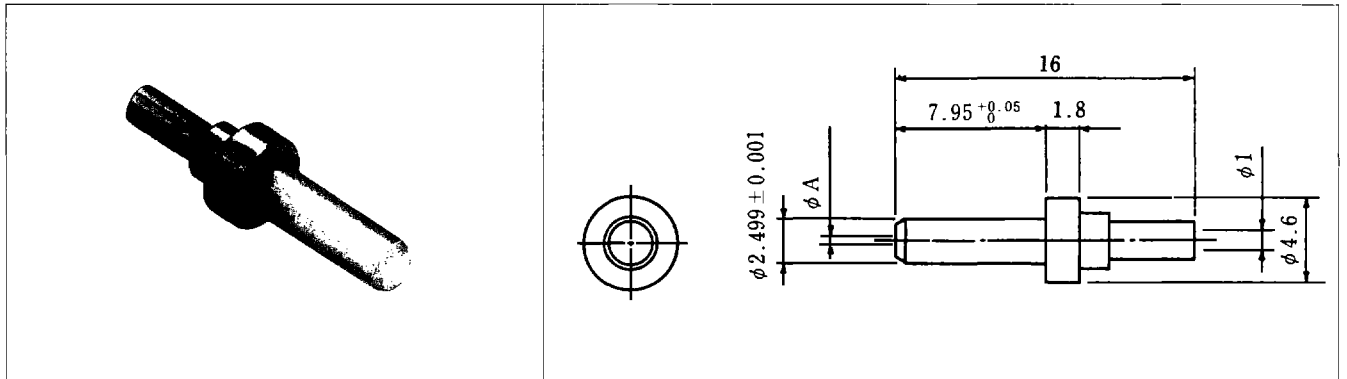
OF OPTICAL FIBER CONNECTOR

● FERRULE (Stainless Capillary Type)



HRS No.	Part No.	Dimension A	Applicable Optical Fibre Cord
CL709-0003-3	MF-F1-B126	0.126 $\begin{smallmatrix} +0.001 \\ 0 \end{smallmatrix}$	Multi Mode, Optical Fibre
CL709-0004-6	MF-F1-B127	0.127 $\begin{smallmatrix} +0.001 \\ 0 \end{smallmatrix}$	
CL709-0005-9	MF-F1-B128	0.128 $\begin{smallmatrix} +0.001 \\ 0 \end{smallmatrix}$	
—	MF-F2-E253	0.253 $\begin{smallmatrix} +0.003 \\ 0 \end{smallmatrix}$	

● FERRULE (Zirconia Type)

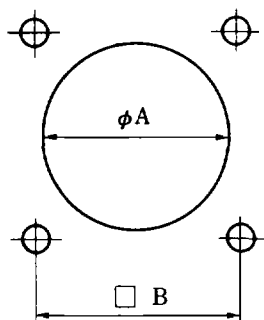


HRS No.	Part No.	Dimension A	Applicable Optical Fibre Cord
CL709-0009-0	MF-F3-B124	0.124 $\begin{smallmatrix} +0.001 \\ 0 \end{smallmatrix}$	Multi Mode, Optical Fibre
CL709-0010-9	MF-F3-B125	0.125 $\begin{smallmatrix} +0.001 \\ 0 \end{smallmatrix}$	
CL709-0011-1	MF-F3-B126	0.126 $\begin{smallmatrix} +0.001 \\ 0 \end{smallmatrix}$	
CL709-0012-4	MF-F3-B127	0.127 $\begin{smallmatrix} +0.001 \\ 0 \end{smallmatrix}$	
CL709-0013-7	MF-F3-B128	0.128 $\begin{smallmatrix} +0.001 \\ 0 \end{smallmatrix}$	
CL709-0014-0	MF-F3-E253	0.253 $\begin{smallmatrix} +0.003 \\ 0 \end{smallmatrix}$	
CL709-0015-2	MF-F3-E233	0.233 $\begin{smallmatrix} +0.003 \\ 0 \end{smallmatrix}$	

OF OPTICAL FIBER CONNECTOR

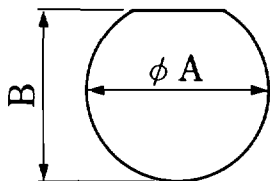
● PANEL MOUNTING DIMENSIONS

● SQUARE FLANGE RECEPTACLE



Part No.	A	B
MF14B-WRF01-0200	21	23
MF14S-WRF01-0200	21	23
MF17B-WRF01-0400	26	27
MF17S-WRF01-0400	26	27
MF22B-WRF01-0600	31.5	32
MF22S-WRF01-0600	31.5	32
MF28B-WRF01-0800	37.5	38
MF28S-WRF01-0800	37.5	38

● BULKHEAD RECEPTACLE



Part No.	A	B
MF14B-WRB01-0200	22.2	21.2
MF14S-WRB01-0200	24.2	23.2
MF17B-WRB01-0400	24.2	23.2
MF17S-WRB01-0400	24.2	23.2
MF22B-WRB01-0600	32.2	30.7
MF22S-WRB01-0600	35.2	33.7
MF28B-WRB01-0800	40.2	38.7
MF28S-WRB01-0800	42.2	40.7

OF OPTICAL FIBER CONNECTOR

MF17S (DIE CAST TYPE) CONNECTORS

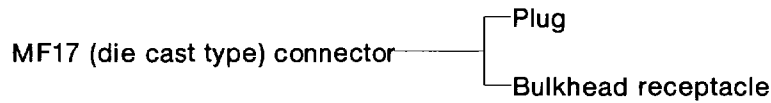
The MF17S (die cast type) connectors are economical, optical 4-position connectors developed mainly for outdoor optical transmission systems.

Using trapezoidal locking threads and a five-key fitting system, the MF17S connectors are not compatible with the conventional MF17S connectors.

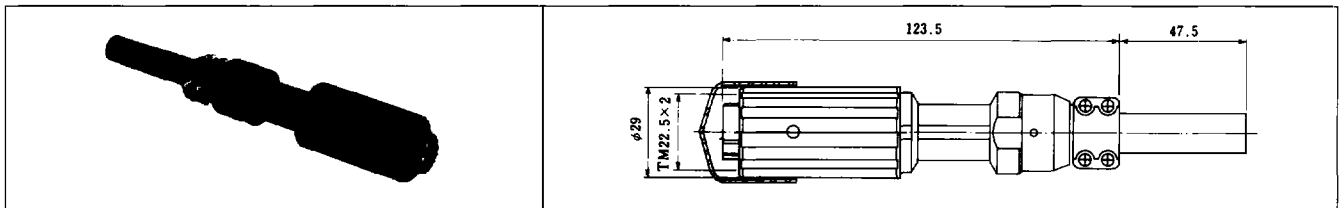
● MAIN MATERIALS

Part Name	Material	Finish
Plug housing	Zinc alloy die cast	Treated with dichromate after zinc-plating
Receptacle housing	Zinc alloy die cast, brass	Treated with dichromate after zinc-plating
Ferrule Case	PBT Resin	
Ferrule	Stainless steel + alumina or zirconia	
Coil spring	Stainless steel	
Split sleeve	Copper alloy	
Cap	Polyvinyl chloride	

● VARIETY

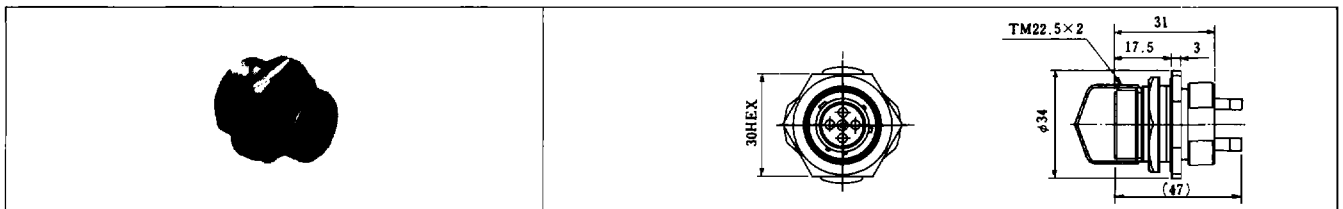


● PLUG HOUSING



HRS No.	Part No.	Remark
CL709-0007-4	MF17S-WDP03-0400-H	Applicable cable: ϕ 8-10 mm cable

● BULKHEAD RECEPTACLE HOUSING



HRS No.	Part No.	Remark
CL709-0008-7	MF17S-WDRB01-0400-H	Applicable cable: ϕ 2-3 mm 1-core cable

< PANEL MOUNTING HOLE >

