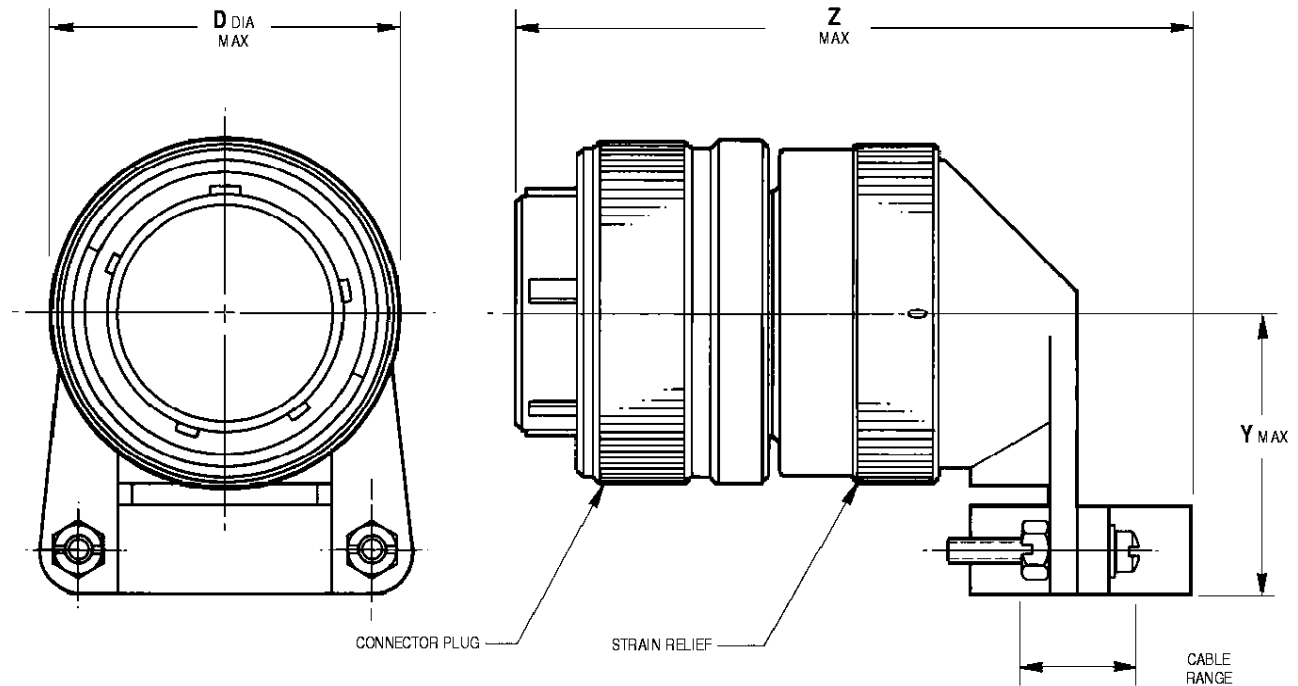
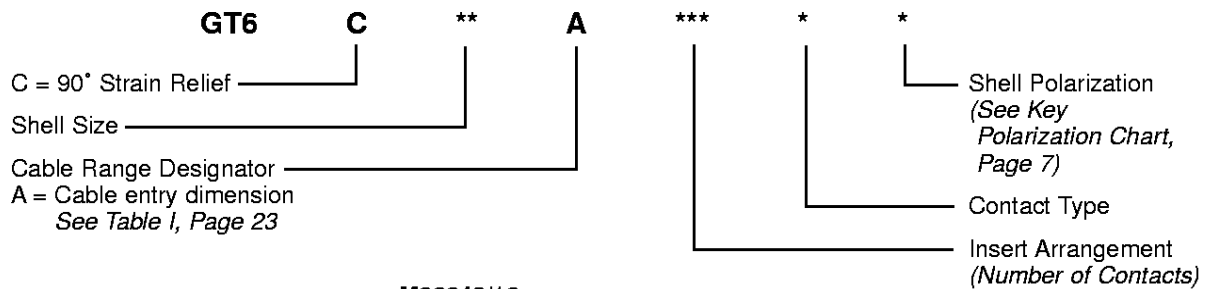


PLUG, 90° ADAPTER ASSEMBLY



SAMPLE CATALOG NUMBER

To complete catalog number,
see detailed part number breakdown, pages 9 and 10.



M28840/18 } Plug, 90° Adapter Assembly
GT6C

SHELL SIZE	CABLE RANGE DESIGNATOR <i>See Table I, Page 23</i>	D DIA MAX		Y MAX		Z MAX		MAX OD OVER REAR CLAMPS	
		IN	MM	IN	MM	IN	MM	IN	MM
11	A	1.028	26.11	.929	23.60	2.562	65.07	.832	21.13
13	A	1.141	28.98	.929	23.60	2.562	65.07	.832	21.13
15	A	1.263	32.59	1.056	26.82	2.750	69.85	.989	25.12
17	A	1.387	35.23	1.233	31.32	2.875	73.02	1.094	27.79
19	A	1.513	38.43	1.296	32.92	3.000	76.20	1.319	33.50
23	A	1.703	43.26	1.358	34.50	3.125	79.37	1.557	39.55
25	A	1.825	46.35	1.420	36.07	3.250	82.55	1.653	41.99
29	A	2.143	54.43	1.634	41.50	3.375	85.72	1.819	46.20
33	A	2.329	59.16	1.859	47.22	3.438	87.32	2.020	51.31