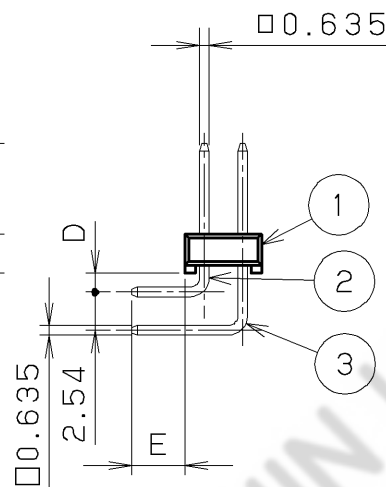
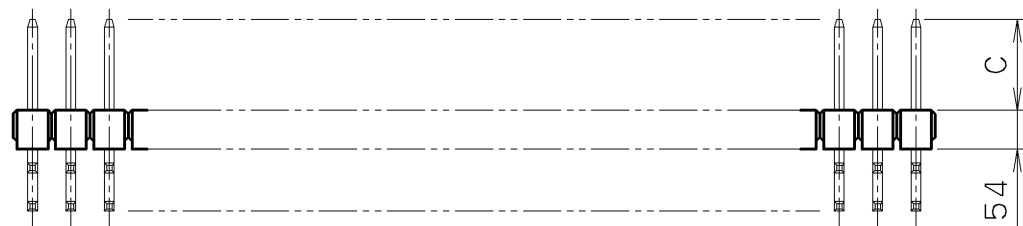
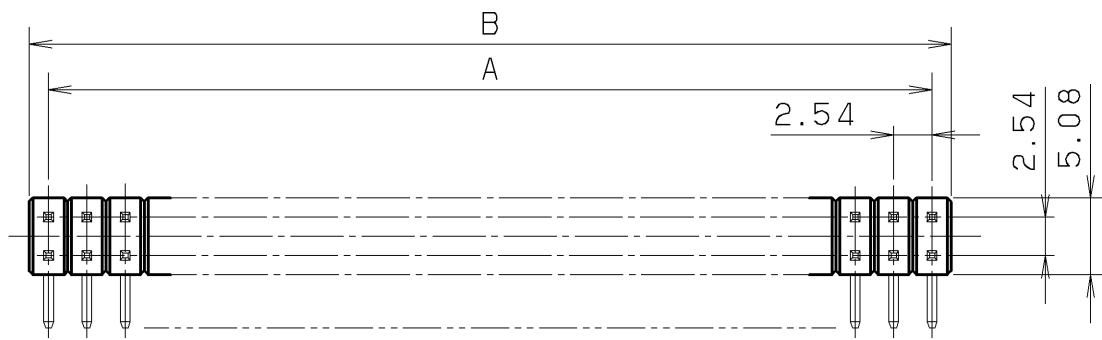
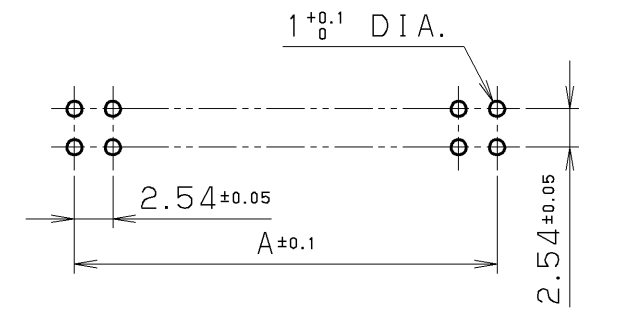


HONDA  
PRINT RM  
Jun.22.2004  
ISSUED



•Dimensions C and D and E

Part No.	C	D	E
FFC-(2~144) LBMEP ( ) (B)	6	1.27	3.54
FFC-(2~144) T LBMEP ( ) (B)	5.82	1.4	2.57
FFC-(2~144) T1 LBMEP ( ) (B)	7	1.27	3.54
FFC-(2~144) T2 LBMEP ( ) (B)	6	1.27	2.57
FFC-(2~144) T3 LBMEP ( ) (B)	5.82	1.27	7.65
FFC-(2~144) T4 LBMEP ( ) (B)	3.54	1.27	3.54
FFC-(2~144) T5 LBMEP ( ) (B)	5.72	1.4	5.1
FFC-(2~144) T6 LBMEP ( ) (B)	5	1.27	3.45
FFC-(2~144) T7 LBMEP ( ) (B)	9.5	1.27	3
FFC-(2~144) T8 LBMEP ( ) (B)	7	1.27	7



RECOMMENDED P. C. B. LAYOUT

•Dimensions A and B

No. of contacts (n)	A	B
2		2.54
4	2.54	5.08
6	5.08	7.62
8	7.62	10.16
10	10.16	12.7
12	12.7	15.24
14	15.24	17.78
16	17.78	20.32
18	20.32	22.86
20	22.86	25.4
22	25.4	27.94
24	27.94	30.48
26	30.48	33.02
28	33.02	35.56
30	35.56	38.1
32	38.1	40.64
34	40.64	43.18
36	43.18	45.72
38	45.72	48.26
40	48.26	50.8
42	50.8	53.34
44	53.34	55.88
46	55.88	58.42
48	58.42	60.96

No. of contacts (n)	A	B
50	60.96	63.5
52	63.5	66.04
54	66.04	68.58
56	68.58	71.12
58	71.12	73.66
60	73.66	76.2
62	76.2	78.74
64	78.74	81.28
66	81.28	83.82
68	83.82	86.36
70	86.36	88.9
72	88.9	91.44
74	91.44	93.98
76	93.98	96.52
78	96.52	99.06
80	99.06	101.6
82	101.6	104.14
84	104.14	106.68
86	106.68	109.22
88	109.22	111.76
90	111.76	114.3
92	114.3	116.84
94	116.84	119.38
96	119.38	121.92

No. of contacts (n)	A	B
98	121.92	124.46
100	124.46	127
102	127	129.54
104	129.54	132.08
106	132.08	134.62
108	134.62	137.16
110	137.16	139.7
112	139.7	142.24
114	142.24	144.78
116	144.78	147.32
118	147.32	149.86
120	149.86	152.4
122	152.4	154.94
124	154.94	157.48
126	157.48	160.02
128	160.02	162.56
130	162.56	165.1
132	165.1	167.64
134	167.64	170.18
136	170.18	172.72
138	172.72	175.26
140	175.26	177.8
142	177.8	180.34
144	180.34	182.88

NOTE 1.  
PART NO.

FFC-10T2LBMEP1B

Series prefix

Number of contacts

Pin length variation  
(Leave blank for standard version)

Insulator color  
Blank:Blue  
B:Black  
Contact plating

Blank:Gold 0.7 μm over nickel  
1:Gold 0.2 μm over nickel  
2:TIN/LEAD 3μm over copper  
△※5:Gold 0.3 μm over nickel  
8:Gold 0.38μm over nickel  
9:Gold 0.1 μm over nickel  
11:Gold 0.05μm over nickel  
△※21: Tin/Copper 1μm over nickel  
※Under Consideration

△	040618	S.IIJIMA	Add Part No.	3	Contact B	Phosphor Bronze	n/2	NOTE. #1	
△	040308	M.MIYAZAKI	Add Part. (T8)	2	Contact A	Phosphor Bronze	n/2	NOTE. #1	
△	031029	M.MIYAZAKI	Revise	1	Insulator	Nylon	1		UL94V-0 NOTE.#1

LTR.	DATE	BY	REV.	DESCRIPT	No.	PART NAME	MATERIAL	QTY	FINISH	NOTE
------	------	----	------	----------	-----	-----------	----------	-----	--------	------

DATE	SCALE	UNIT	3RD. A. P	HONDA TSUSHIN KOGYO CO., LTD.						
Oct.29.2002	2/1	mm (INCH)								
APP. DATE&REV.										

DR.	DE.	CHK.	CHK.	APP.	NAME	MALE CONNECTOR		
M.MIYAZAKI	M.MIYAZAKI	S.IIJIMA	C.NUNOKAWA	H.EBIHARA	PART NO.	FFC-( ) ( ) LBMEP ( ) ( )	REV	
							3C	