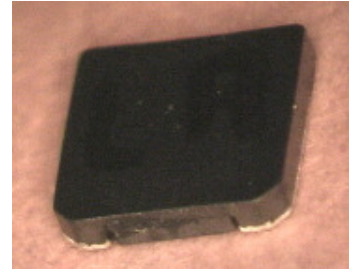


Type: GDP28D05

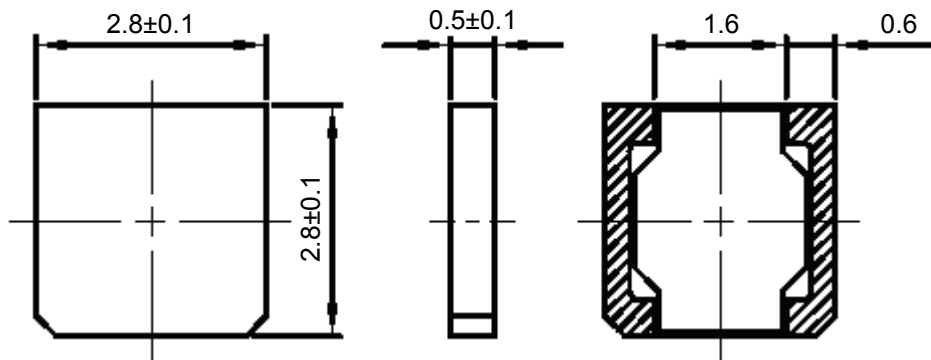
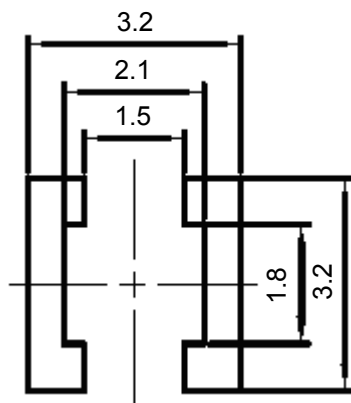
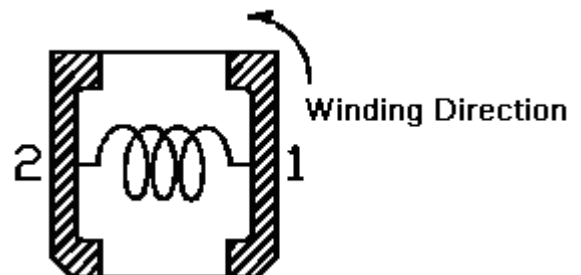
Under Development

◆ Product Description

- 2.9×2.9mm Max.(L×W), 0.6mm Max. Height.
- Inductance range: 0.9~4.7μH.
- Rated current range: 0.27~0.52A.
- Custom design is available.


◆ Feature

- Magnetically shielded construction.
- Storage temperature range: -40°C ~+100°C.
- Operating temperature range: -40°C ~+100°C (Including coil's self temperature rise).
- Ideally used as DC-DC Converter inductors in Mobile phone,PDA,MP3/MP4,DSC/DVC etc.
- Ideal for a variety of DC-DC converter inductor applications. (DVC, DSC, Cellular phone, PAD)
- Product weight: 0.02g (Ref.)
- RoHS compliance.

◆ Dimensions (mm)

◆ Land Pattern (mm)

◆ Schematics (Bottom)


Type: GDP28D05
◆ Specification

Part No. ※	Stamp	Inductance (μ H) ※1	D.C.R. (m Ω) (at20 $^{\circ}$ C)	Saturation Current (A) ※2	Temperature Rise Current (A) ※3
CDP28D05NP-0R9NC	A	0.9 \pm 30%	310 \pm 20%	1.00	0.52
CDP28D05NP-1R3NC	C	1.3 \pm 30%	400 \pm 20%	0.90	0.50
CDP28D05NP-2R2NC	E	2.2 \pm 30%	500 \pm 20%	0.80	0.46
CDP28D05NP-3R3MC	G	3.3 \pm 20%	670 \pm 20%	0.64	0.36
CDP28D05NP-4R7MC	J	4.7 \pm 20%	1160 \pm 20%	0.56	0.27

※1.Measuring frequency at 100KHz,1.0V.

※2.Saturation current: The DC current at which the inductance decreases by 30% from its nominal value.

※3.Temperature rise current: The DC current at which the temperature rise is $\Delta t=40^{\circ}$ C ($T_a=20^{\circ}$ C) .