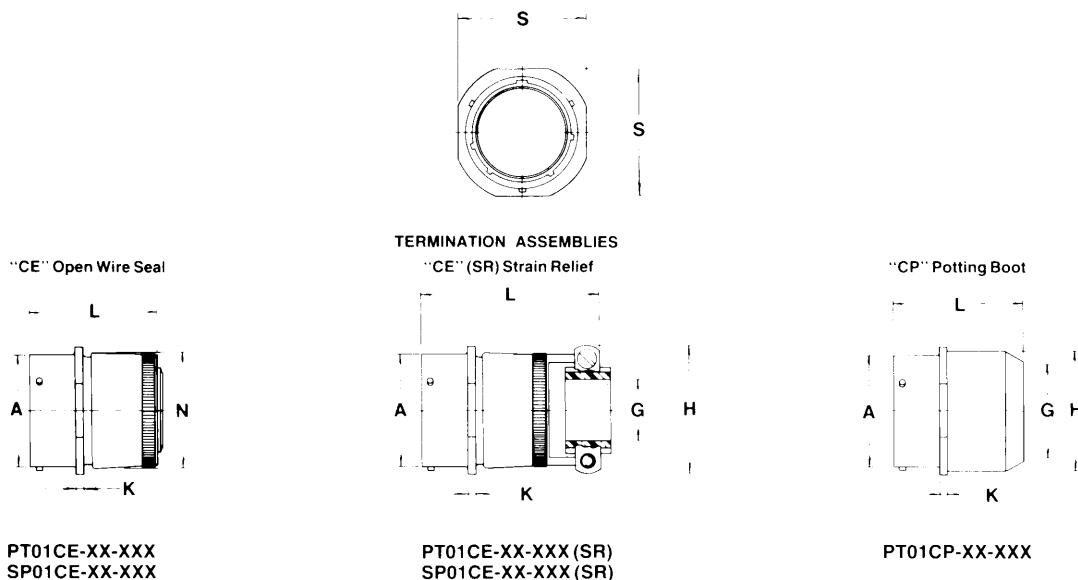


PT01 CE

cable connecting plug



| Shell Size | Plug Front View | | | Class "CE" | | | Plug Side View Class "CE" (SR) | | | Class "CP" | | |
|------------|-----------------|--------------------------|------------|------------|-----------|-----------|--------------------------------|-----------|-----------|-------------------|-------------------|--|
| | S | A Dia. +.001 -.005 | K ±.016 | L Max. | N Dia. | L Max. | G Dia. | H Max. | L Max. | D Dia. Min. | N Dia. Max. | |
| 6 | .688 | .348 | .094 | 1.468 | .440 | - | - | - | - | - | - | |
| 8 | .812 | .473 | .094 | 1.468 | .560 | 1.982 | .125 | .797 | 1.702 | .327 | .608 | |
| 10 | .938 | .590 | .094 | 1.468 | .685 | 1.982 | .188 | .859 | 1.702 | .444 | .734 | |
| 12 | 1.031 | .750 | .094 | 1.468 | .813 | 1.982 | .312 | .984 | 1.702 | .558 | .858 | |
| 14 | 1.125 | .875 | .094 | 1.468 | .930 | 1.982 | .375 | 1.109 | 1.702 | .683 | .984 | |
| 16 | 1.219 | 1.000 | .094 | 1.468 | 1.057 | 2.114 | .500 | 1.172 | 1.702 | .808 | 1.110 | |
| 18 | 1.312 | 1.125 | .094 | 1.468 | 1.175 | 2.114 | .625 | 1.422 | 1.702 | .909 | 1.234 | |
| 20 | 1.438 | 1.250 | .115 | 1.562 | 1.301 | 2.207 | .625 | 1.422 | 1.796 | 1.034 | 1.360 | |
| 22 | 1.562 | 1.375 | .115 | 1.562 | 1.428 | 2.207 | .750 | 1.609 | 1.796 | 1.159 | 1.484 | |
| 24 | 1.688 | 1.500 | .115 | 1.625 | 1.555 | 2.219 | .800 | 1.703 | 1.827 | 1.284 | 1.610 | |

All dimensions for reference only.