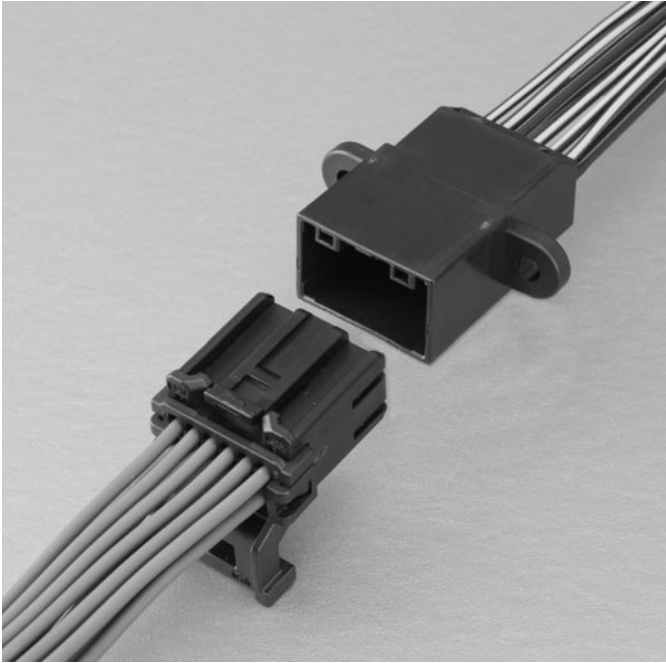


# ARV CONNECTOR

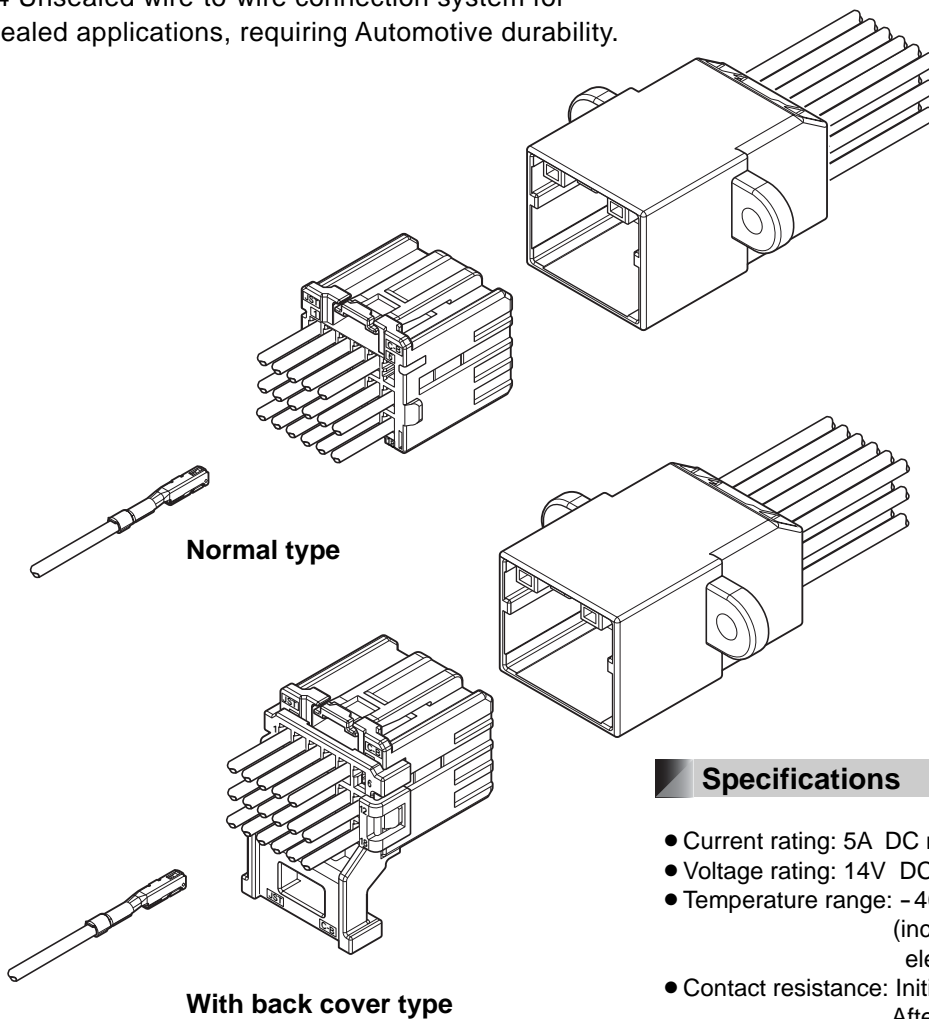
## Wire-to-wire



### Features

- 12 Circuits and 18 Circuits, Wire-to-Wire Connection
- Optional Wire Routing Attachment (to optimize packaging space)
- Versatile Mounting Options
- Latch Overstress Feature
- Both Female and Male Connectors utilize Independent Secondary Lock for Terminal retention

0.64 Unsealed wire-to-wire connection system for unsealed applications, requiring Automotive durability.

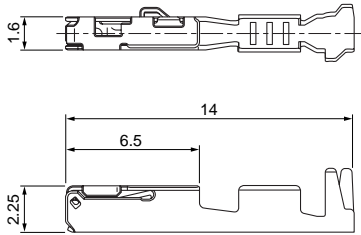


### Specifications

- Current rating: 5A DC max.
- Voltage rating: 14V DC
- Temperature range:  $-40^{\circ}\text{C}$  to  $+125^{\circ}\text{C}$   
(including temperature rise in applying electrical current)
- Contact resistance: Initial value/15m $\Omega$  max.  
After environmental testing/15m $\Omega$  max.
- Insulation resistance: 100M $\Omega$  min.
- Applicable Wire: SAE/ AVSS / CAVS  
0.3mm<sup>2</sup> to 0.8mm<sup>2</sup> (Female Terminal)  
: SAE/AVSS/CAVS  
0.3mm<sup>2</sup> to 0.5mm<sup>2</sup> (Male Terminal)

- \* Compliant with ELV/RoHS.
- \* Contact JST for details.

## Female terminal



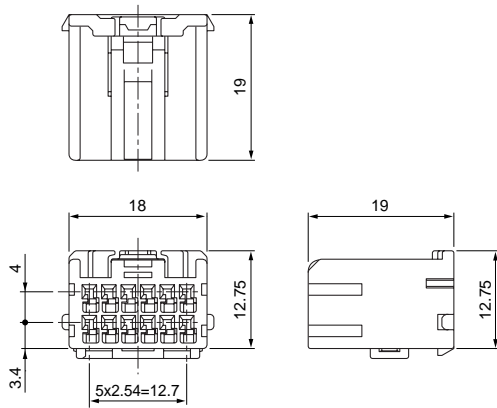
Model No.	Applicable wire range		Q'ty/reel
	Conductor (mm <sup>2</sup> )	Insulation O.D. (mm)	
①SAIT-A03T-M064	0.3 to 0.5	≤1.9	6,500
①SAIT-A02T-M064	0.75 to 0.8	≤1.9	6,500
②SAIT-A03GF-M064	0.3 to 0.5	≤1.9	6,500
②SAIT-A02GF-M064	0.75 to 0.8	≤1.9	6,500

### Material and Finish

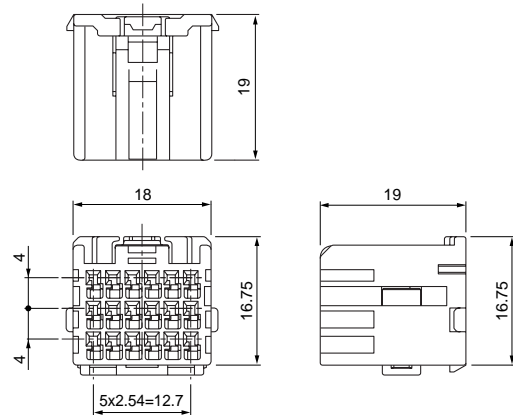
- ① Copper alloy, tin-plated (reflow treatment)
- ② Copper alloy, nickel-undercoated, Contact area; gold-plated  
Barrel area; tin-plated

## Female connector

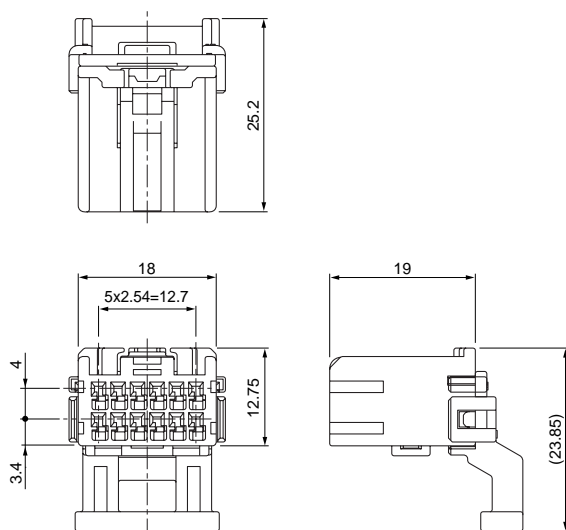
### ● 12 circuits



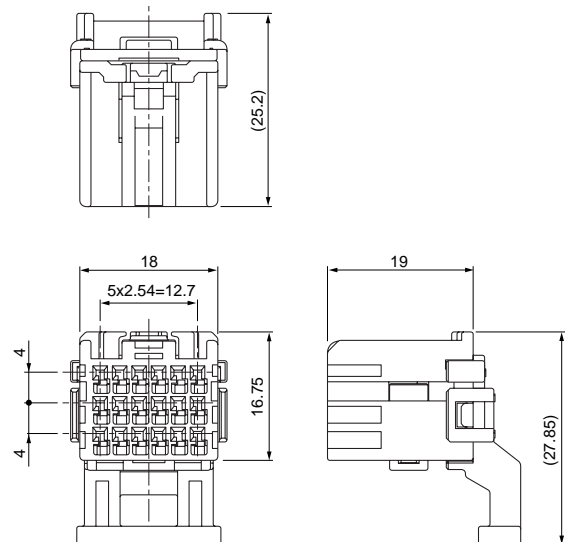
### ● 18 circuits



### ● 12 circuits (With back cover)



### ● 18 circuits (With back cover)



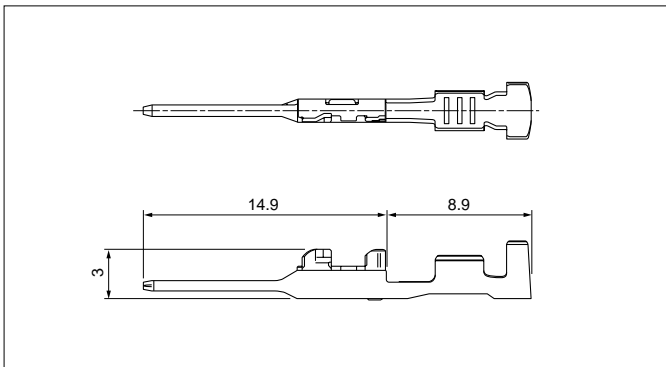
Circuits	Model No.	Back Cover	Q'ty/box
12	ARVPB-12-2AK	No	1,500
	ARVPB-12C12-2AK	Yes	1,000
18	ARVPB-18-3AK	No	1,500
	ARVPB-18C18-3AK	Yes	1,000

### Material

Housing: PBT, black  
TPA: Glass-filled PBT, natural (white)  
Back cover: Glass-filled PBT, black

# ARV CONNECTOR

## Male terminal

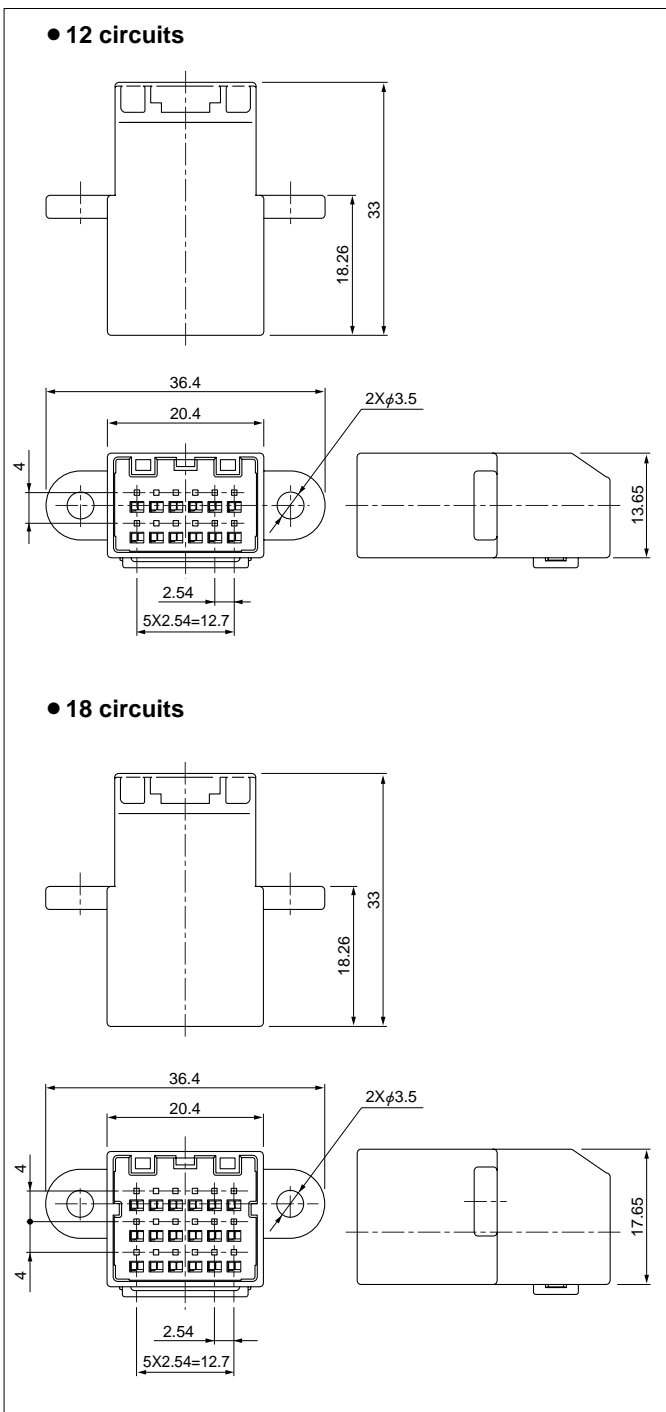


Model No.	Applicable wire range		Q'ty/reel
	Conductor (mm <sup>2</sup> )	Insulation O.D. (mm)	
① <b>SNAC3W-A021T-0.64</b>	0.3 to 0.5	1.4 to 1.8	5,000
② <b>SNAC3W-A021GF-0.64</b>	0.3 to 0.5	1.4 to 1.8	5,000

### Material and Finish

- ① Brass, tin-plated (reflow treatment)
- ② Brass, nickel-undercoated, Female contact area; gold-plated Barrel area; tin-plated

## Male connector



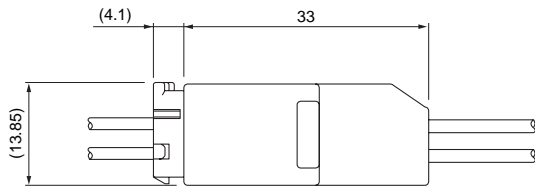
Circuits	Model No.	Q'ty/box
12	<b>ARWSB-12-2AK</b>	1,000
18	<b>ARWSB-18-3AK</b>	750

### Material

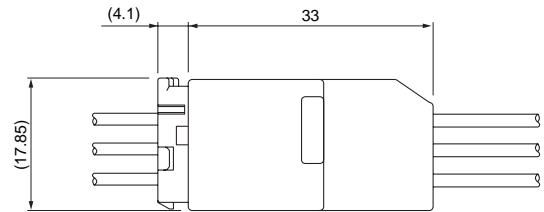
Housing: PBT, black  
TPA: Glass-filled, natural (white)

## Assembly layout

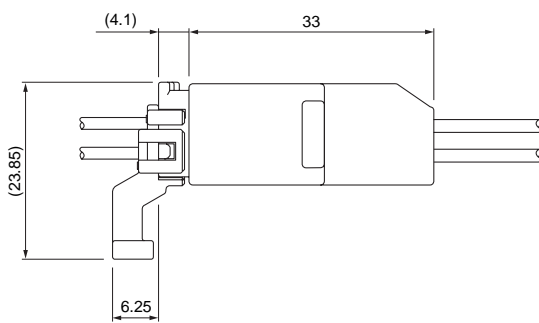
### ● 12 circuits



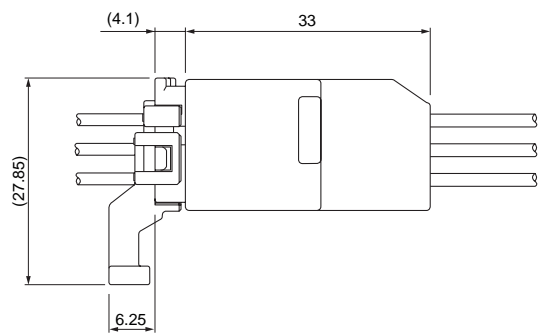
### ● 18 circuits



### ● 12 circuits (With back cover)



### ● 18 circuits (With back cover)



## Crimping machine, Applicator

Strip terminal	Crimping machine	Crimp applicator MKS-L	
		Dies	Crimp applicator with dies
SAIT-A03( )-M064	AP-K2N	MK/SAIT-A03-064	APLMK SAIT-A03-064
SAIT-A02( )-M064		MK/SAIT-A02-064	APLMK SAIT-A02-064
SNAC3W-A021( )-0.64		MK/SNAC3W-A021-064	APLMK SNAC3W-A021-064

Note: When crimping operation is conducted using an applicator and die set other than the above, JST cannot guarantee the performance of the terminal.