

## International Power Transformer

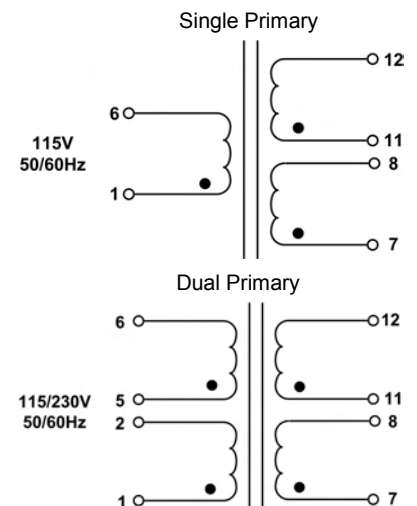
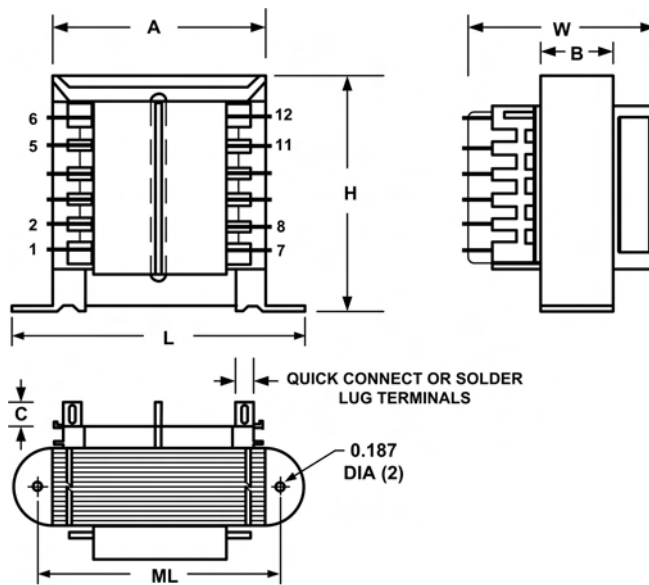
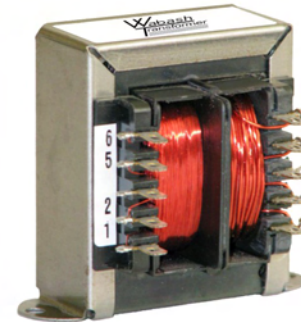
### Series: VDE - Quick-Connect Terminals

- Power Rating 10VA to 56VA
- Single or Dual Primary, 115V, 230V or 115/230V
- Frequency 50/60Hz
- Series or Parallel Secondary
- Dielectric Strength – 4000 Vrms
- Insulation Class F (155°C)
- Flammability Rating – Bobbin/Shroud UL94V0 or 94H-B

### Agency Approvals:

- UL/cUL 5085-2 Recognized (File E47299)
- VDE Licensed (File 40001595)
- UL/cUL 5085-3 Class 2 Recognized (File E49606)
- UL 6500 Audio/Video Recognized (File E210114)
- Insulation File No. E95662

Transformer meets international safety standards by providing high isolation, creepage, clearance, and increased flammability ratings. Chassis Mounting style.



• Indicates Like Polarity  
 Primaries and Secondaries are designed to be used simultaneously. That is, they must be used either series or parallel connected (as one winding). Same applies to secondaries also.

VA Rating	Dimensions (Inches)							Mounting Screw		Weight lbs	
	L	W	H	A	B	C	Terminals	ML	Size		Qty
10	2.81	1.88	1.98	1.61	0.71	0.41	0.187	2.37	-	-	0.56
20	2.81	2.08	2.31	2.00	0.78	0.41	0.187	2.37	-	-	0.90
25	2.81	2.14	2.31	2.00	1.12	0.31	0.187	2.37	#6	2	1.25
30	2.81	2.14	2.31	2.00	1.12	0.31	0.187	2.37	#6	2	1.25
40	3.12	2.22	2.68	2.25	0.92	0.41	0.187	2.81	#6	2	1.6
43	3.12	2.14	2.68	2.25	1.37	0.31	0.187	2.81	#6	2	1.6
50	3.12	2.68	2.68	2.25	1.28	0.41	0.187	2.81	#6	2	1.87
56	4.00	2.62	3.06	2.56	1.03	0.41	0.187	3.56	#6	2	2.05

Any application, Any requirement, Contact us for our Custom Designs



**Series: VDE - Quick-Connect Terminals**

**Partial Selection Guide**

All models are VDE approved

VA	Part Number			Secondary		Class 2	Audio/Video
	115/230V	115V	230V	Series	Parallel		
10	VDE-10T-10	VDE1-10T-10	VDE2-10T-10	10VCT @ 1.00A	5V @ 2.00A	✓	✓
	VDE-10T-126	VDE1-10T-126	VDE2-10T-126	12.6VCT @ 794mA	6.3V @ 1.59A	✓	✓
	VDE-10T-16	VDE1-10T-16	VDE2-10T-16	16VCT @ 625mA	8V @ 1.25A	✓	✓
	VDE-10T-18	VDE1-10T-18	VDE2-10T-18	18VCT @ 555mA	9V @ 1.11A	✓	✓
	VDE-10T-20	VDE1-10T-20	VDE2-10T-20	20VCT @ 500mA	10V @ 1.00A	✓	✓
	VDE-10T-24	VDE1-10T-24	VDE2-10T-24	24VCT @ 416mA	12V @ 833mA	-	✓
	VDE-10T-28	VDE1-10T-28	VDE2-10T-28	28VCT @ 357mA	14V @ 714mA	-	✓
20	VDE-20T-10	VDE1-20T-10	VDE2-20T-10	10VCT @ 2.00A	5V @ 4.00A	✓	-
	VDE-20T-126	VDE1-20T-126	VDE2-20T-126	12.6VCT @ 1.58A	6.3V @ 3.16A	✓	-
	VDE-20T-16	VDE1-20T-16	VDE2-20T-16	16VCT @ 1.25A	8V @ 2.50A	✓	-
	VDE-20T-18	VDE1-20T-18	VDE2-20T-18	18VCT @ 1.11A	9V @ 2.22A	✓	-
	VDE-20T-20	VDE1-20T-20	VDE2-20T-20	20VCT @ 1.00A	10V @ 2.00A	✓	-
	VDE-20T-24	VDE1-20T-24	VDE2-20T-24	24VCT @ 833mA	12V @ 1.67A	✓	-
	VDE-20T-28	VDE1-20T-28	VDE2-20T-28	28VCT @ 714mA	14V @ 1.42A	-	-
25	VDE-25T-10	VDE1-25T-10	VDE2-25T-10	10VCT @ 2.50A	5V @ 5.00A	✓	-
	VDE-25T-126	VDE1-25T-126	VDE2-25T-126	12.6VCT @ 1.98A	6.3V @ 3.96A	✓	-
	VDE-25T-16	VDE1-25T-16	VDE2-25T-16	16VCT @ 1.56A	8V @ 3.12A	✓	-
	VDE-25T-18	VDE1-25T-18	VDE2-25T-18	18VCT @ 1.39A	9V @ 2.78A	✓	-
	VDE-25T-20	VDE1-25T-20	VDE2-25T-20	20VCT @ 1.25A	10V @ 2.50A	✓	-
	VDE-25T-24	VDE1-25T-24	VDE2-25T-24	24VCT @ 1.04A	12V @ 2.08A	✓	-
	VDE-25T-28	VDE1-25T-28	VDE2-25T-28	28VCT @ 892mA	14V @ 1.78A	-	-
30	VDE-30T-10	VDE1-30T-10	VDE2-30T-10	10VCT @ 3.00A	5V @ 6.00A	-	-
	VDE-30T-126	VDE1-30T-126	VDE2-30T-126	12.6VCT @ 2.38A	6.3V @ 4.76A	✓	-
	VDE-30T-16	VDE1-30T-16	VDE2-30T-16	16VCT @ 1.87A	8V @ 3.74A	✓	-
	VDE-30T-18	VDE1-30T-18	VDE2-30T-18	18VCT @ 1.66A	9V @ 3.33A	✓	-
	VDE-30T-20	VDE1-30T-20	VDE2-30T-20	20VCT @ 1.50A	10V @ 3.00A	✓	-
	VDE-30T-24	VDE1-30T-24	VDE2-30T-24	24VCT @ 1.25A	12V @ 2.50A	✓	-
	VDE-30T-28	VDE1-30T-28	VDE2-30T-28	28VCT @ 1.07A	14V @ 2.14A	-	-
VDE-30T-36	VDE1-30T-36	VDE2-30T-36	36VCT @ 833mA	18V @ 1.66A	-	-	

Continued...

**Any application, Any requirement, Contact us for our Custom Designs**



**Series: VDE - Quick-Connect Terminals**

**Partial Selection Guide (Continued)**

All models are VDE approved

VA	Part Number			Secondary		Class 2
	115/230V	115V	230V	Series	Parallel	
40	VDE-40T-10	VDE1-40T-10	VDE2-40T-10	10VCT @ 4.00A	5V @ 8.00A	-
	VDE-40T-126	VDE1-40T-126	VDE2-40T-126	12.6VCT @ 3.17A	6.3V @ 6.34A	✓
	VDE-40T-16	VDE1-40T-16	VDE2-40T-16	16VCT @ 2.50A	8V @ 5.00A	✓
	VDE-40T-18	VDE1-40T-18	VDE2-40T-18	18VCT @ 2.22A	9V @ 4.44A	✓
	VDE-40T-20	VDE1-40T-20	VDE2-40T-20	20VCT @ 2.00A	10V @ 4.00A	✓
	VDE-40T-24	VDE1-40T-24	VDE2-40T-24	24VCT @ 1.66A	12V @ 3.34A	✓
	VDE-40T-28	VDE1-40T-28	VDE2-40T-28	28VCT @ 1.42A	14V @ 2.86A	-
	VDE-40T-36	VDE1-40T-36	VDE2-40T-36	36VCT @ 1.11A	18V @ 2.22A	-
43	VDE-43T-10	VDE1-43T-10	VDE2-43T-10	10VCT @ 4.30A	5V @ 8.60A	-
	VDE-43T-126	VDE1-43T-126	VDE2-43T-126	12.6VCT @ 3.41A	6.3V @ 6.82A	✓
	VDE-43T-16	VDE1-43T-16	VDE2-43T-16	16VCT @ 2.68A	8V @ 5.37A	✓
	VDE-43T-18	VDE1-43T-18	VDE2-43T-18	18VCT @ 2.38A	9V @ 4.76A	✓
	VDE-43T-20	VDE1-43T-20	VDE2-43T-20	20VCT @ 2.15A	10V @ 4.30A	✓
	VDE-43T-24	VDE1-43T-24	VDE2-43T-24	24VCT @ 1.79A	12V @ 3.58A	-
	VDE-43T-28	VDE1-43T-28	VDE2-43T-28	28VCT @ 1.53A	14V @ 3.06A	-
	VDE-43T-36	VDE1-43T-36	VDE2-43T-36	36VCT @ 1.19A	18V @ 2.38A	-
50	VDE-50T-10	VDE1-50T-10	VDE2-50T-10	10VCT @ 5.0A	5V @ 10.00A	-
	VDE-50T-126	VDE1-50T-126	VDE2-50T-126	12.6VCT @ 4.00A	6.3V @ 7.93A	-
	VDE-50T-16	VDE1-50T-16	VDE2-50T-16	16VCT @ 3.12A	8V @ 6.25A	-
	VDE-50T-18	VDE1-50T-18	VDE2-50T-18	18VCT @ 2.77A	9V @ 5.55A	-
	VDE-50T-20	VDE1-50T-20	VDE2-50T-20	20VCT @ 2.50A	10V @ 5.00A	✓
	VDE-50T-24	VDE1-50T-24	VDE2-50T-24	24VCT @ 2.08A	12V @ 4.16A	✓
	VDE-50T-28	VDE1-50T-28	VDE2-50T-28	28VCT @ 1.78A	14V @ 3.56A	-
	VDE-50T-36	VDE1-50T-36	VDE2-50T-36	36VCT @ 1.38A	18V @ 2.76A	-
56	VDE-56T-10	VDE1-56T-10	VDE2-56T-10	10VCT @ 5.60A	5V @ 11.2A	-
	VDE-56T-126	VDE1-56T-126	VDE2-56T-126	12.6VCT @ 4.44A	6.3V @ 8.88A	-
	VDE-56T-16	VDE1-56T-16	VDE2-56T-16	16VCT @ 3.50A	8V @ 7.00A	-
	VDE-56T-18	VDE1-56T-18	VDE2-56T-18	18VCT @ 3.11A	9V @ 6.22A	-
	VDE-56T-20	VDE1-56T-20	VDE2-56T-20	20VCT @ 2.80A	10V @ 5.60A	-
	VDE-56T-24	VDE1-56T-24	VDE2-56T-24	24VCT @ 2.33A	12V @ 4.66A	✓
	VDE-56T-28	VDE1-56T-28	VDE2-56T-28	28VCT @ 2.00A	14V @ 4.00A	-
	VDE-56T-36	VDE1-56T-36	VDE2-56T-36	36VCT @ 1.55A	18V @ 3.11A	-
	VDE-56T-230	VDE1-56T-230	VDE2-56T-230	230VCT @ 243mA	115V @ 486mA	-

**Any application, Any requirement, Contact us for our Custom Designs**