

REFERENCE SPECIFICATIONS

-NFC 93425 (in compliance with HE 507)

PHYSICAL CHARACTERISTICS

- INSULATOR MATERIAL: THERMOPLASTIC UL94V0
- CONTACT MATERIAL: BRASS(SIGNAL CONTACT)
BRASS (POWERS CONTACT)
- ACCESSORIES: BRASS
- SHELLS: STEEL

ELECTRICAL CHARACTERISTICS

- NOMINAL CURRENT: 7.5A (SIGNAL CONTACT)
30A or 40A (POWER CONTACT)
- CONTACT RESISTANCE: 7.3 m Ohms(SIGNAL and POWER)
- CONTACT/CONTACT : 1000 V
- CONTACT/GROUND : 1200 V
- INSULATION RESISTANCE: 5000 MOhms

- CLIMATIC CATEGORY: 55/125/21
TEMPERATURE RANGE -55°C TO +125°C
DAMP HEAT STEADY STATE 21 DAYS
SALT SPRAY 48 HOURS

- RETENTION AGAINST TORQUE: - Threaded insert: 0.7 N.m minimum
- Female screw : 0.5 N.m minimum

NOTE RoHS INFORMATION

- The "LF" products meet european union Directives and other country regulations as described in GS-22-008.
- The housing will withstand exposure to 260°C peak temperature for 3.5 seconds in a wave solder application with a 1.6mm minimum thick circuit board. See application notes/procedures if they are available.
- Termination plating spec:
 - Signal contacts: Ni + Gold
 - Power contacts: Ni 1.27µm+Sn 2.5 to 7.5µm,pure bright
- Active area plating spec:
 - Signal and power contacts: Ni + Gold
- Shell plating :2 to 4µm Cu + 3 to 10µm Sn,pure bright
- Accessories: Sn pure bright
- Packaging spec: See GS-14-920

DBL13W3P300G30LF

Series

Shell size: E A B C D
see sheet 2

Front accessory definition
see sheet 2

- (Blank):No shell accessory
- L :Threaded insert M3
- O :Threaded insert UNC 4-40
- V :Female screw UNC 4-40
- I :Female screw M3

Layout of contacts (see sheet 3)

Contacts

P :Pin

Termination type

3 Straight version

Plating

- 00 200 matings/unmatings
- 43 500 matings/unmatings

PCB accessories definition
see sheet 2

- A : No PCB accessory
- H : Harpoons for PCB 2.40mm
- G : Harpoons for PCB 1.60mm

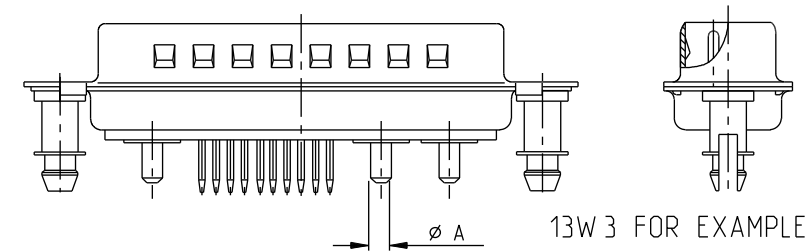
Power contacts

- 00 :Not fitted with power contact
- 30 :Fitted with power contacts 30 Amp.
- 40 :Fitted with power contacts 40 Amp.

See note RoHS

TABLE 1:PCB HOLE DIAMETERS

	POWER CONTACTS		ACCESSORIES	SIGNAL CONTACTS
30 A	2.00	ø2.40	ø3.10	ø0.90 min
40 A	2.80	3.10		
Max current power	øA ^{+0.1} / ₀	PCB HOLE ^{+/-0.1}	PCB HOLE ^{+/-0.1}	PCB HOLE ^{+/-0.1}

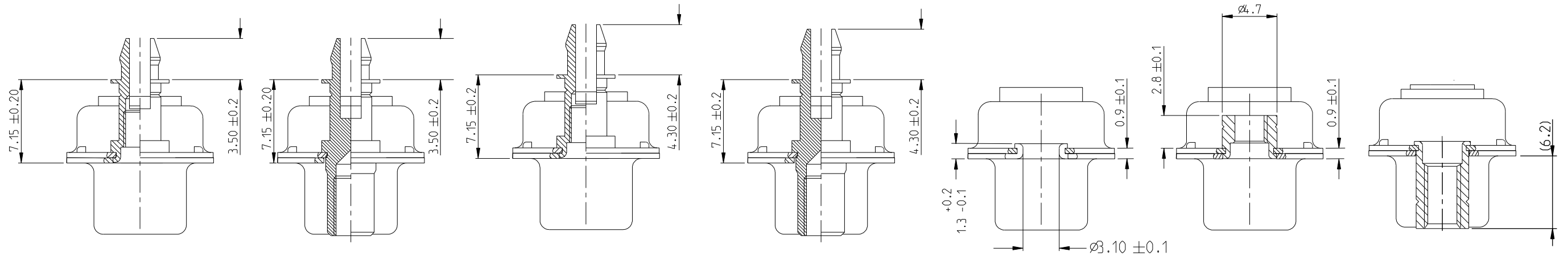


rev	ecn no	dr	date
H	F09-0092	LSA	2009/09/16
J	F10-0035	LSA	2010/04/14
-	-	-	-
D	LS07-0239	MPE	2007/09/21
E	LS07-0273	MPE	2007/10/31
F	LS08-0067	MPE	2008/03/10
G	LS09-0027	MPE	2009/01/21

www.fciconnect.com		Surface	tolerance std	projection	
Dr	M PESSON	2005-10-11	TOLERANCES UNLESS OTHERWISE SPECIFIED		
Eng	P LEGARE	2005-10-11	ANGULAR	LINEAR	size A2
Chr			0° ±°	0.x ±/ 0.xx ±/ 0.xxx ±/	Scale 2:1
Appr			Product family		ECN F10-0035
title SUB MALE DW			dwg no C01-8639-2306		Rev. J
mixed power straight solder			CUSTOMER		sheet 1 of 7
catalog no					

Copyright FCI

SIGNAL & PWR CONTACTS NOT REPRESENTED IN THIS PAGE



FRONT ACCESSORIES	L insert M3 O insert UNC 4.40	V insert UNC 4.40 I Female screw M3	L insert M3 O insert UNC 4.40	V insert UNC 4.40 I Female screw M3	(Blank) without	L insert M3 O insert UNC 4.40	V Female screw UNC 4-40 I Female screw M3
PCB ACCESSORIES	G Harpoon for PCB 1.60mm	G Harpoon for PCB 1.60mm	H Harpoon for PCB 2.40mm	H Harpoon for PCB 2.40mm	A without	A without	A without

(this part of the table is not detailed in tables below)

PART NUMBER	AMPS	MATINGS/ UNMATINGS	FRONT ACCESSORY	PCB ACCESSORIES
D*LxW xP300G30LF	30	200	insert M3	harpoon PCB 1.60mm
D*OxW xP300G30LF	30	200	insert UNC 4.40	harpoon PCB 1.60mm
D*VxW xP300G30LF	30	200	female screw UNC 4.40	harpoon PCB 1.60mm
D*LxW xP300H30LF	30	200	insert M3	harpoon PCB 2.40mm
D*OxW xP300H30LF	30	200	insert UNC 4.40	harpoon PCB 2.40mm
D*VxW xP300H30LF	30	200	female screw UNC 4.40	harpoon PCB 2.40mm
D*LxW xP300G40LF	40	200	insert M3	harpoon PCB 1.60mm
D*OxW xP300G40LF	40	200	insert UNC 4.40	harpoon PCB 1.60mm
D*VxW xP300G40LF	40	200	female screw UNC 4.40	harpoon PCB 1.60mm
D*LxW xP300H40LF	40	200	insert M3	harpoon PCB 2.40mm
D*OxW xP300H40LF	40	200	insert UNC 4.40	harpoon PCB 2.40mm
D*VxW xP300H40LF	40	200	female screw UNC 4.40	harpoon PCB 2.40mm

shell size

LAYOUTS

- * xW x
- E 5W 1
- A 11W 1
- A 7W 2
- B 21W 1
- B 17W 2
- B 13W 3
- B 9W 4
- C 25W 3
- C 21W A4
- C 27W 2
- D 47W 1
- D 24W 7
- D 36W 4

PART NUMBER	AMPS	MATINGS/ UNMATINGS	FRONT ACCESSORY	PCB ACCESSORIES
D*LxW xP343G30LF	30	500	insert M3	harpoon PCB 1.60mm
D*OxW xP343G30LF	30	500	insert UNC 4.40	harpoon PCB 1.60mm
D*VxW xP343G30LF	30	500	female screw UNC 4.40	harpoon PCB 1.60mm
D*LxW xP343H30LF	30	500	insert M3	harpoon PCB 2.40mm
D*OxW xP343H30LF	30	500	insert UNC 4.40	harpoon PCB 2.40mm
D*VxW xP343H30LF	30	500	female screw UNC 4.40	harpoon PCB 2.40mm
D*LxW xP343G40LF	40	500	insert M3	harpoon PCB 1.60mm
D*OxW xP343G40LF	40	500	insert UNC 4.40	harpoon PCB 1.60mm
D*VxW xP343G40LF	40	500	female screw UNC 4.40	harpoon PCB 1.60mm
D*LxW xP343H40LF	40	500	insert M3	harpoon PCB 2.40mm
D*OxW xP343H40LF	40	500	insert UNC 4.40	harpoon PCB 2.40mm
D*VxW xP343H40LF	40	500	female screw UNC 4.40	harpoon PCB 2.40mm

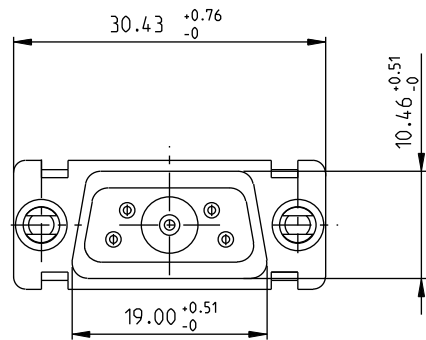
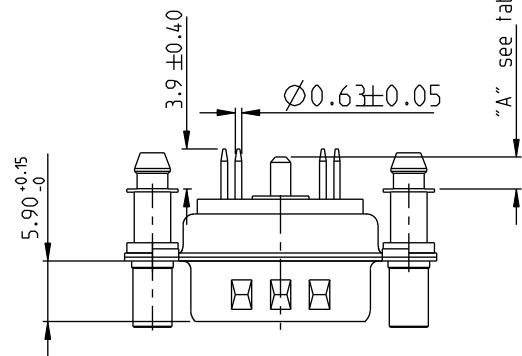
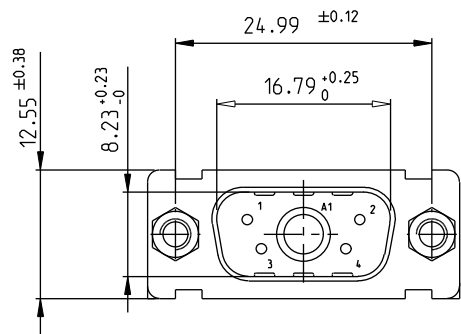
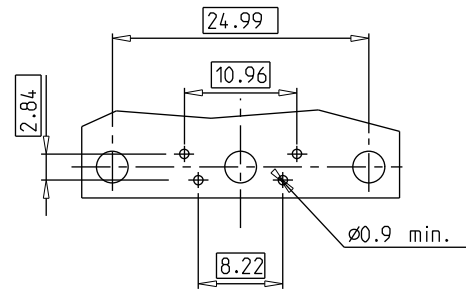
www.fciconnect.com		Surface <input checked="" type="checkbox"/> tolerance std	projection	
		TOLERANCES UNLESS OTHERWISE SPECIFIED		
Dr M PESSON	2005-10-11	ANGULAR	0.x	±/ size A2
Eng P LEGARE	2005-10-11	LINEAR	0.xx	Scale 2:1
Chr		0° ±°	0.xxx	ECN F10-0035
Appr		Product family	-	Spec ref
		title SUB MALE DW		dwg no C01-8639-2306
		mixed power straight solder		Rev. J
		catalog no		CUSTOMER sheet 2 of 7

Copyright FCI

5W 1

LAYOUT AND CONNECTOR DIMENSIONS

For PCB hole diameters see table 1 sheet 1

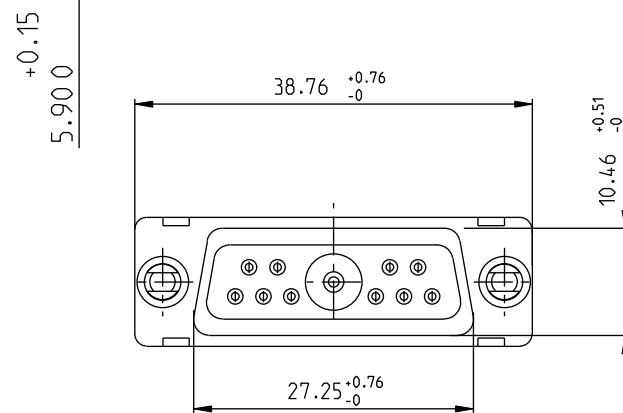
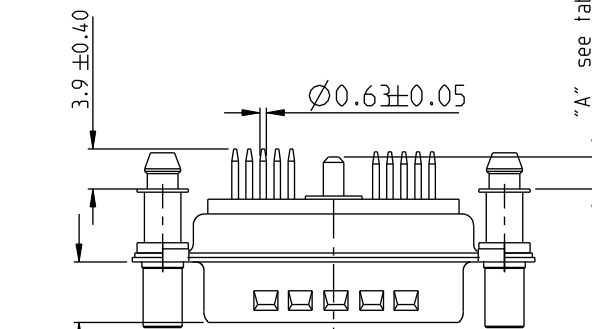
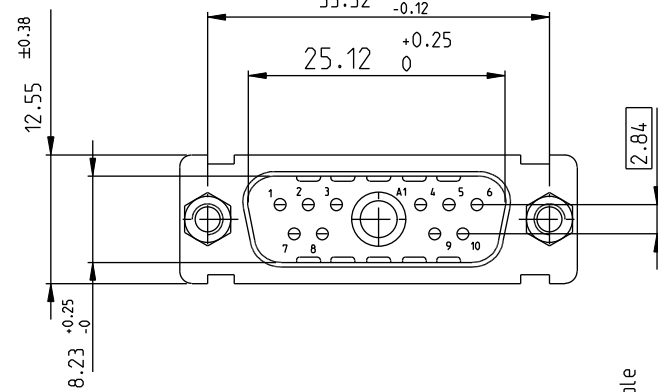
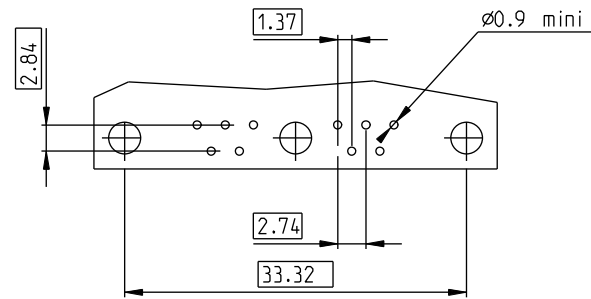


Floating signal contacts

11W 1

LAYOUT AND CONNECTOR DIMENSIONS

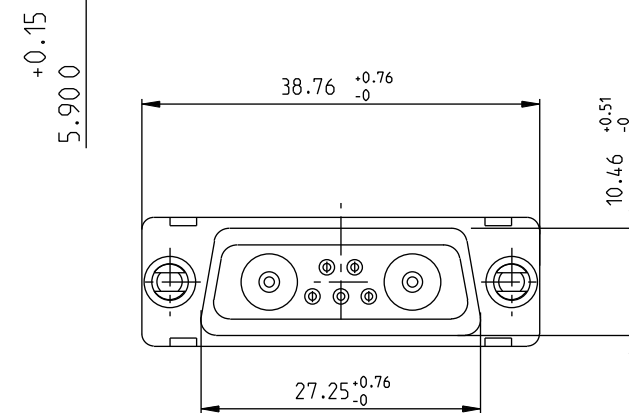
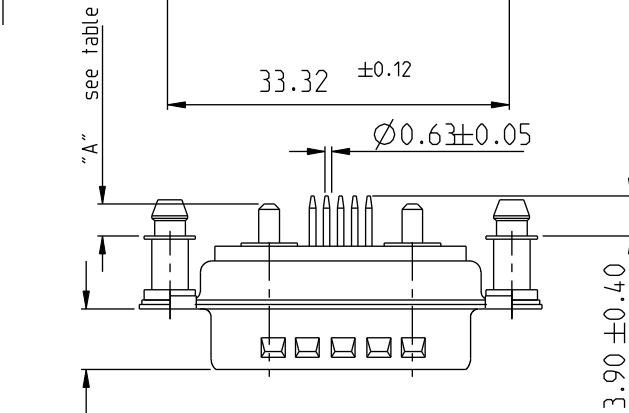
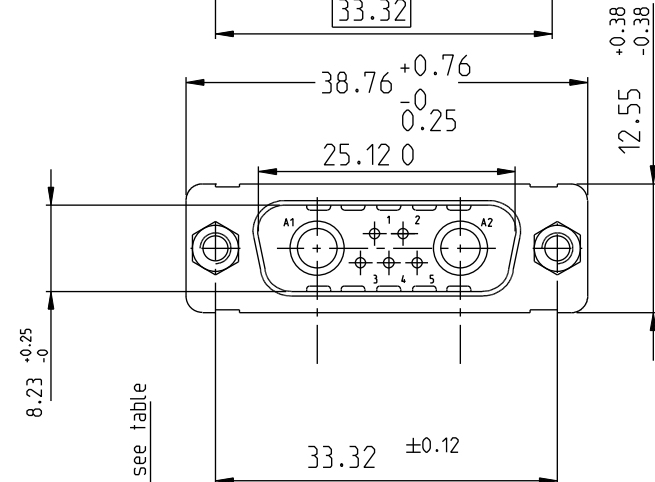
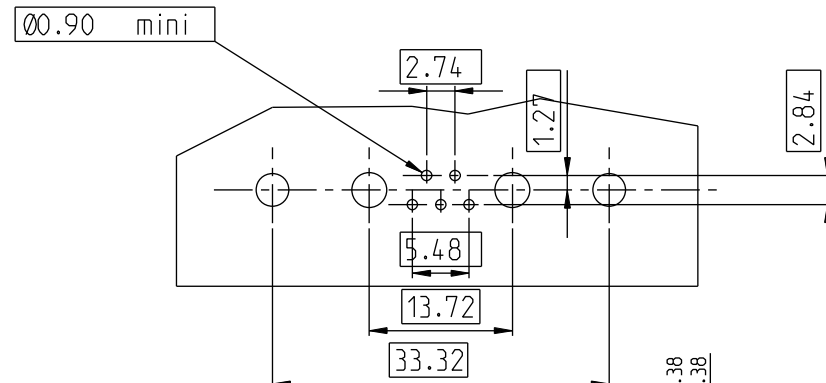
For PCB hole diameters see table 1 sheet 1



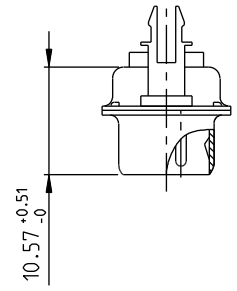
7W 2

LAYOUT AND CONNECTOR DIMENSIONS

For PCB hole diameters see table 1 sheet 1



SIDE VIEW FOR LAYOUTS: E A B C



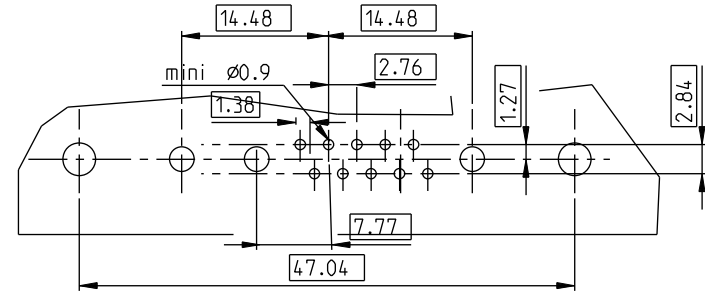
Cote "A"

30A	3.1 ± 0.25
40A	3.6 ± 0.25

www.fciconnect.com		Surface	tolerance std	projection	
		TOLERANCES UNLESS OTHERWISE SPECIFIED			
Dr	M PESSON	2005-10-11	ANGULAR	0.x	±
Eng	P LEGARE	2005-10-11	LINEAR	0.xx	±
Chr			0°	0.xxx	±
Appr					
Product family			- Spec ref		
title		SUB MALE DW		dwg no	C01-8639-2306
mixed power straight solder				Rev.	J
catalog no		CUSTOMER		sheet 3 of 7	

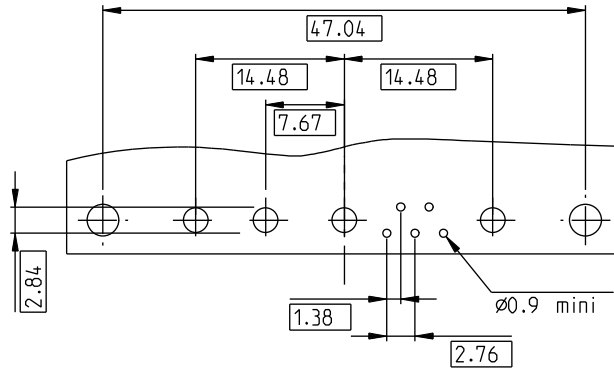
13W 3

LAYOUT AND CONNECTOR DIMENSIONS
For PCB hole diameters see table 1 sheet 1



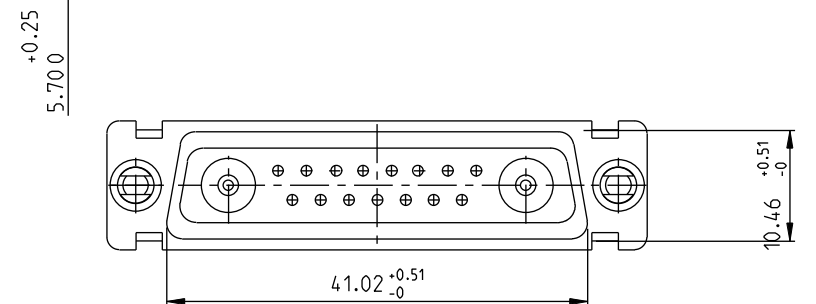
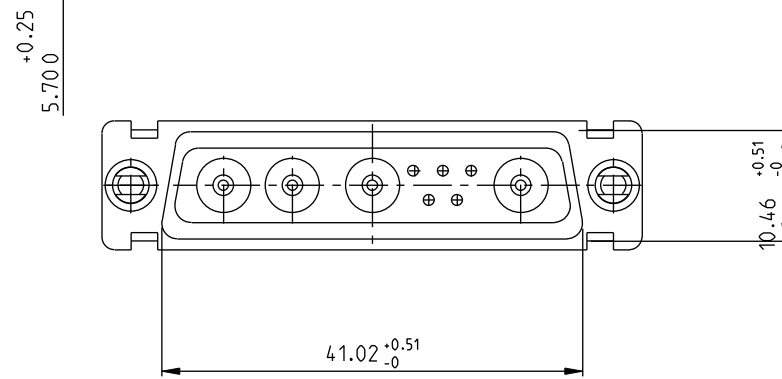
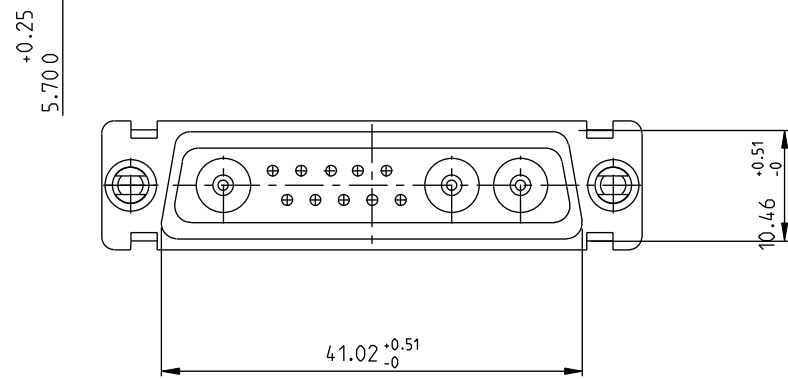
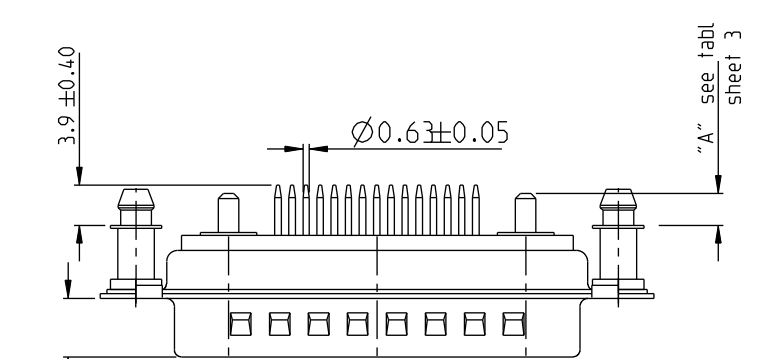
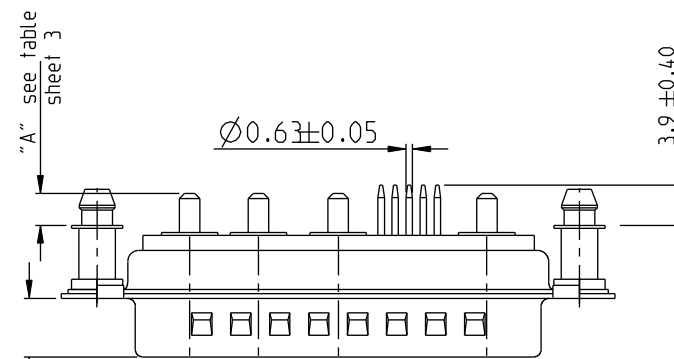
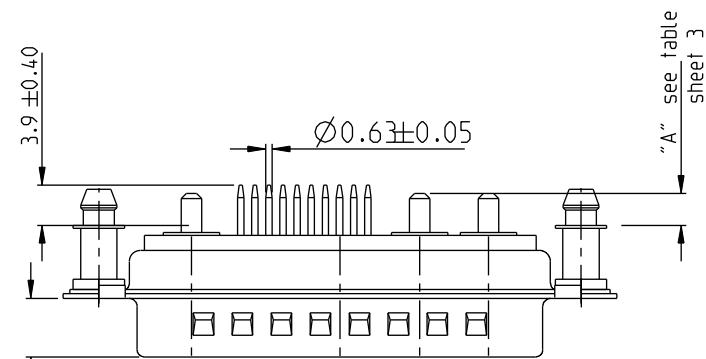
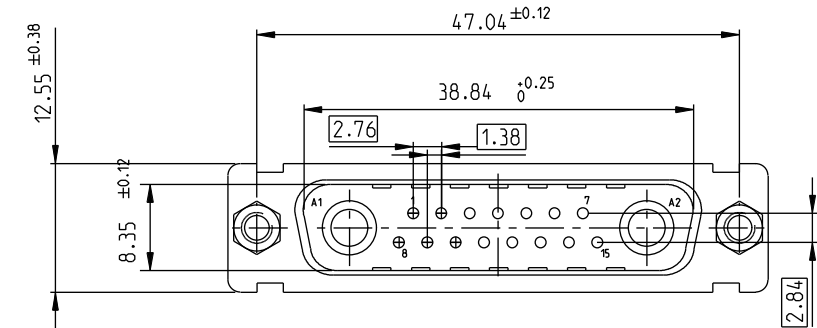
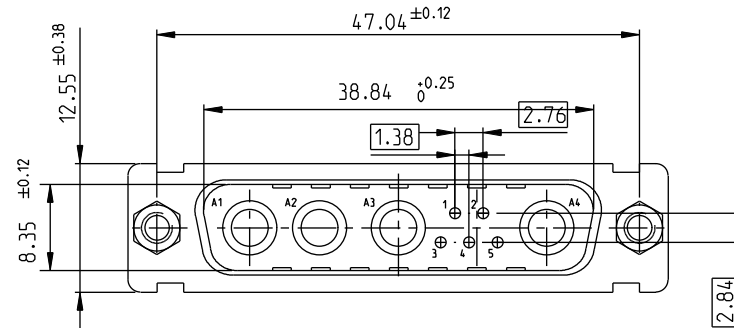
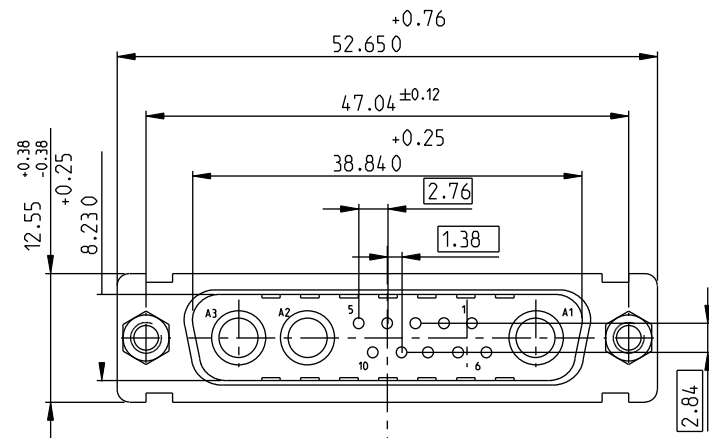
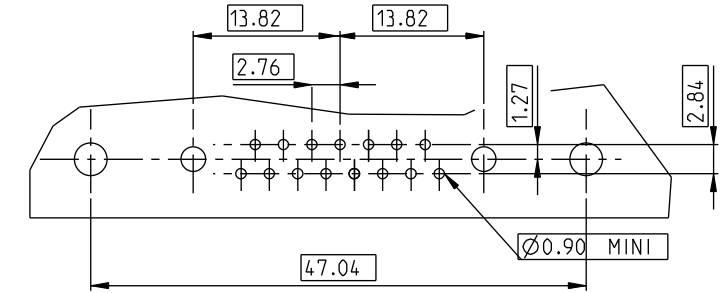
9W 4

LAYOUT AND CONNECTOR DIMENSIONS
For PCB hole diameters see table 1 sheet 1



17W 2

LAYOUT AND CONNECTOR DIMENSIONS
For PCB hole diameters see table 1 sheet 1



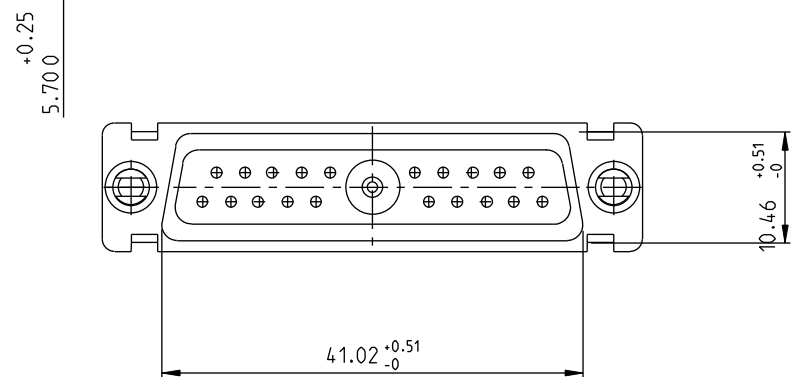
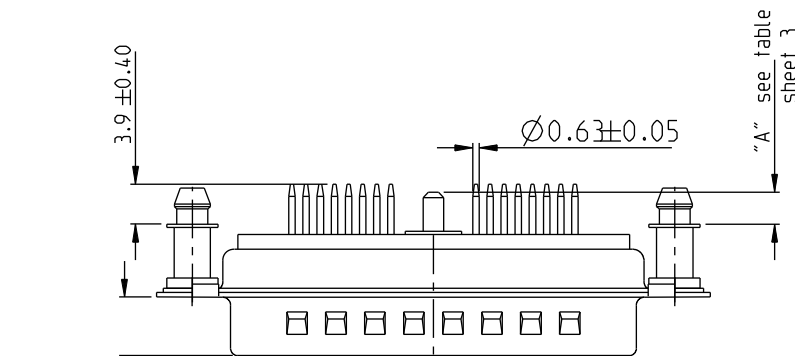
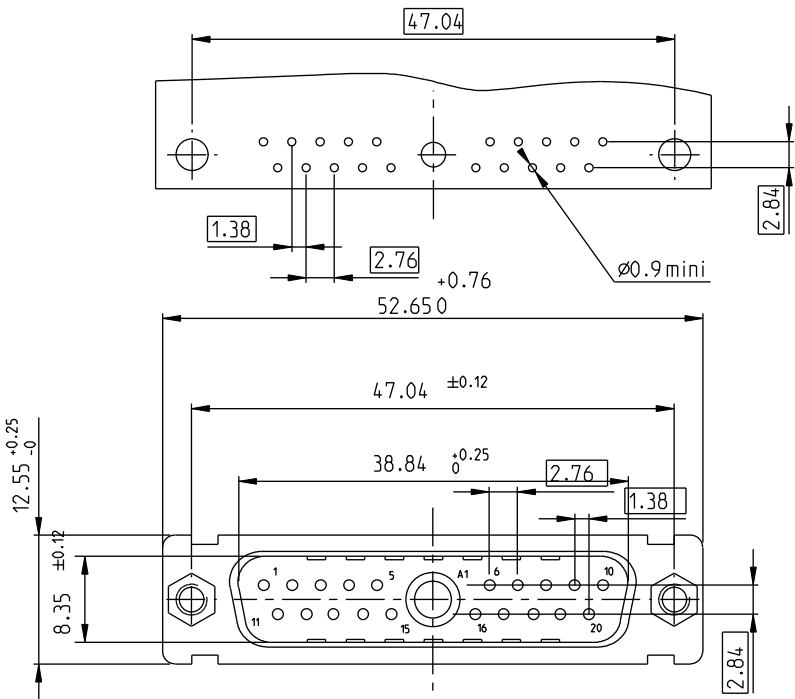
Floating signal contacts

www.fciconnect.com		Surface	tolerance std	projection		
Dr	M PESSON	2005-10-11	TOLERANCES UNLESS OTHERWISE SPECIFIED		size	Scale
Eng	P LEGARE	2005-10-11	ANGULAR	LINEAR	A2	2:1
Chr			0° ±°	0.x ±/	ECN	F10-0035
Appr			0.xx ±/	0.xxx ±/	Product family	Spec ref
title		SUB MALE DW		dwg no	C01-8639-2306	
catalog no		mixed power straight solder		CUSTOMER	sheet 4 of 7	

Copyright FCI.

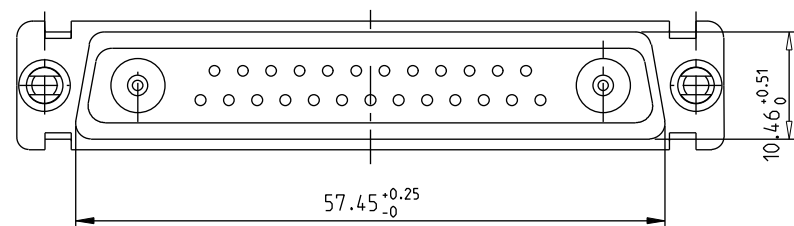
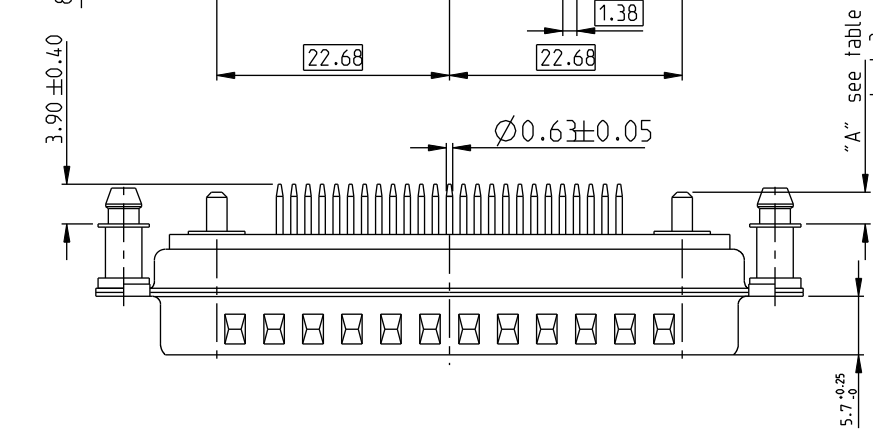
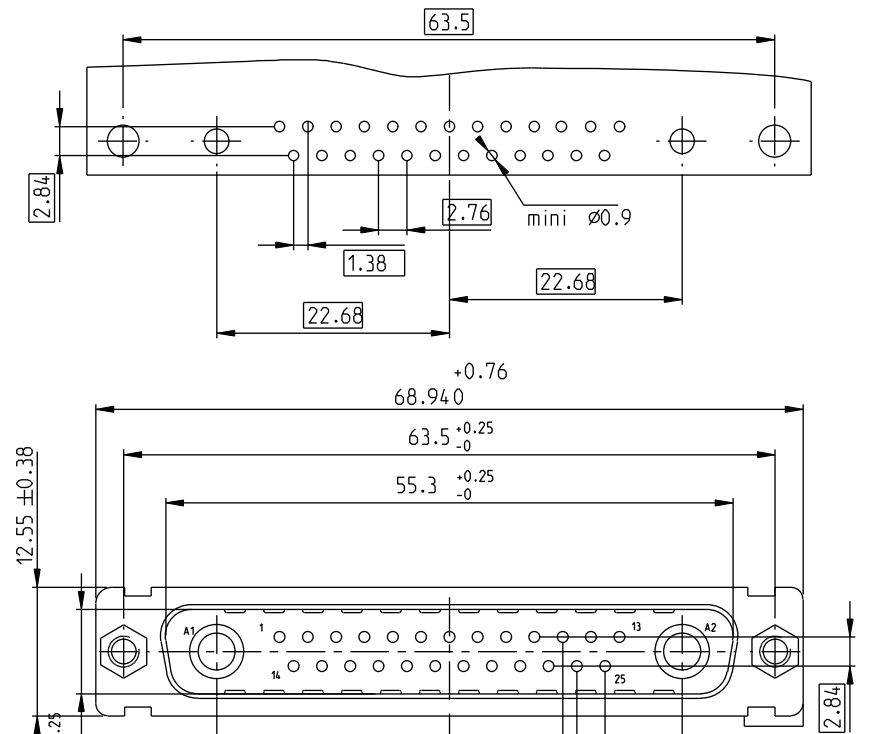
21W 1

LAYOUT AND CONNECTOR DIMENSIONS
For PCB hole diameters see table 1 sheet 1



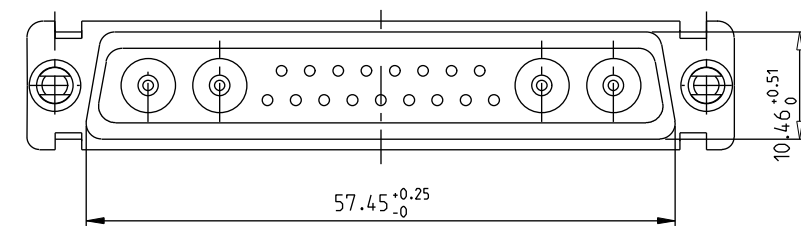
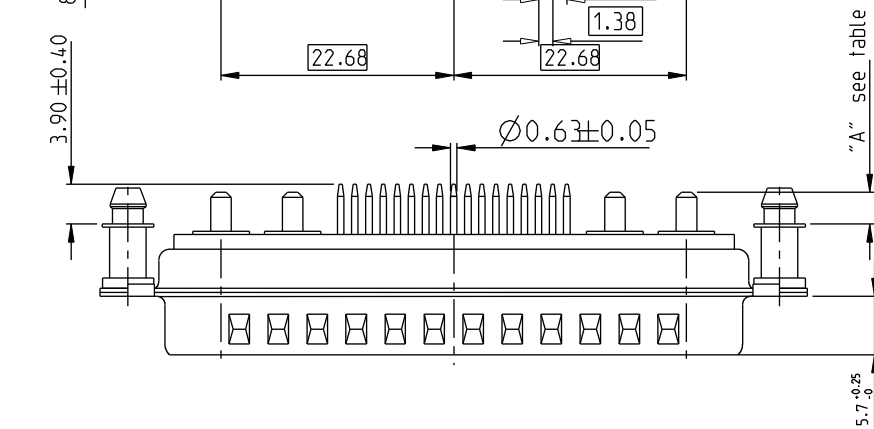
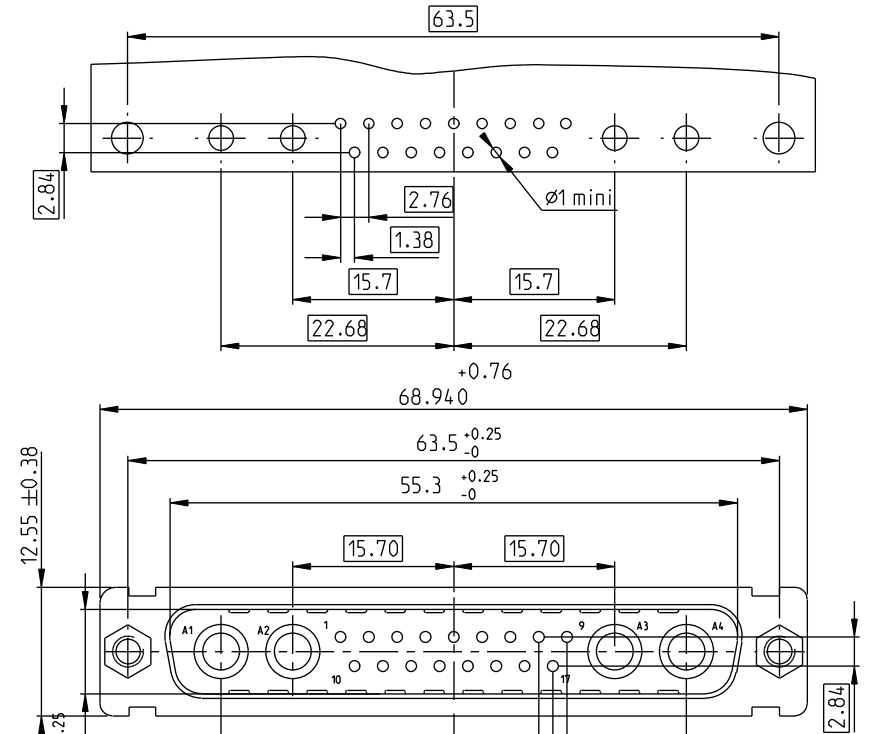
27W 2

LAYOUT AND CONNECTOR DIMENSIONS
For PCB hole diameters see table 1 sheet 1



21W A4

LAYOUT AND CONNECTOR DIMENSIONS
For PCB hole diameters see table 1 sheet 1



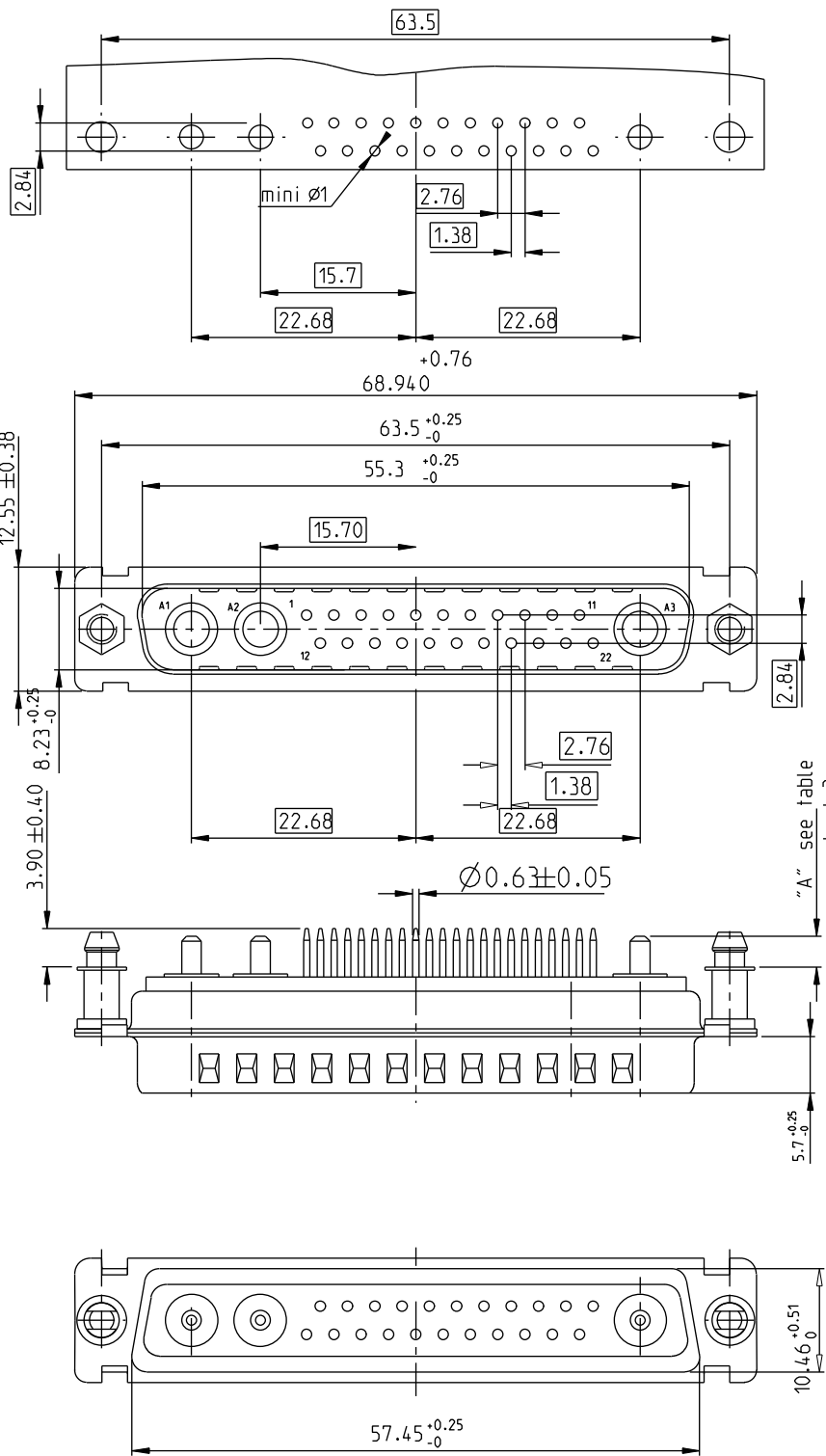
www.fciconnect.com		Surface	tolerance std	projection		
		TOLERANCES UNLESS OTHERWISE SPECIFIED				
Dr	M PESSON	2005-10-11	ANGULAR	0.x	±/	size A2
Eng	P LEGARE	2005-10-11	LINEAR	0.xx	±/	Scale 2:1
Chr			0° ±/°	0.xxx	±/	ECN F10-0035
Appr			Product family	- Spec ref		
FCI		title SUB MALE DW		dwg no C01-8639-2306		Rev. J
		mixed power straight solder		CUSTOMER		sheet 5 of 7
		catalog no				

Copyright FCI.

25W3

LAYOUT AND CONNECTOR DIMENSIONS

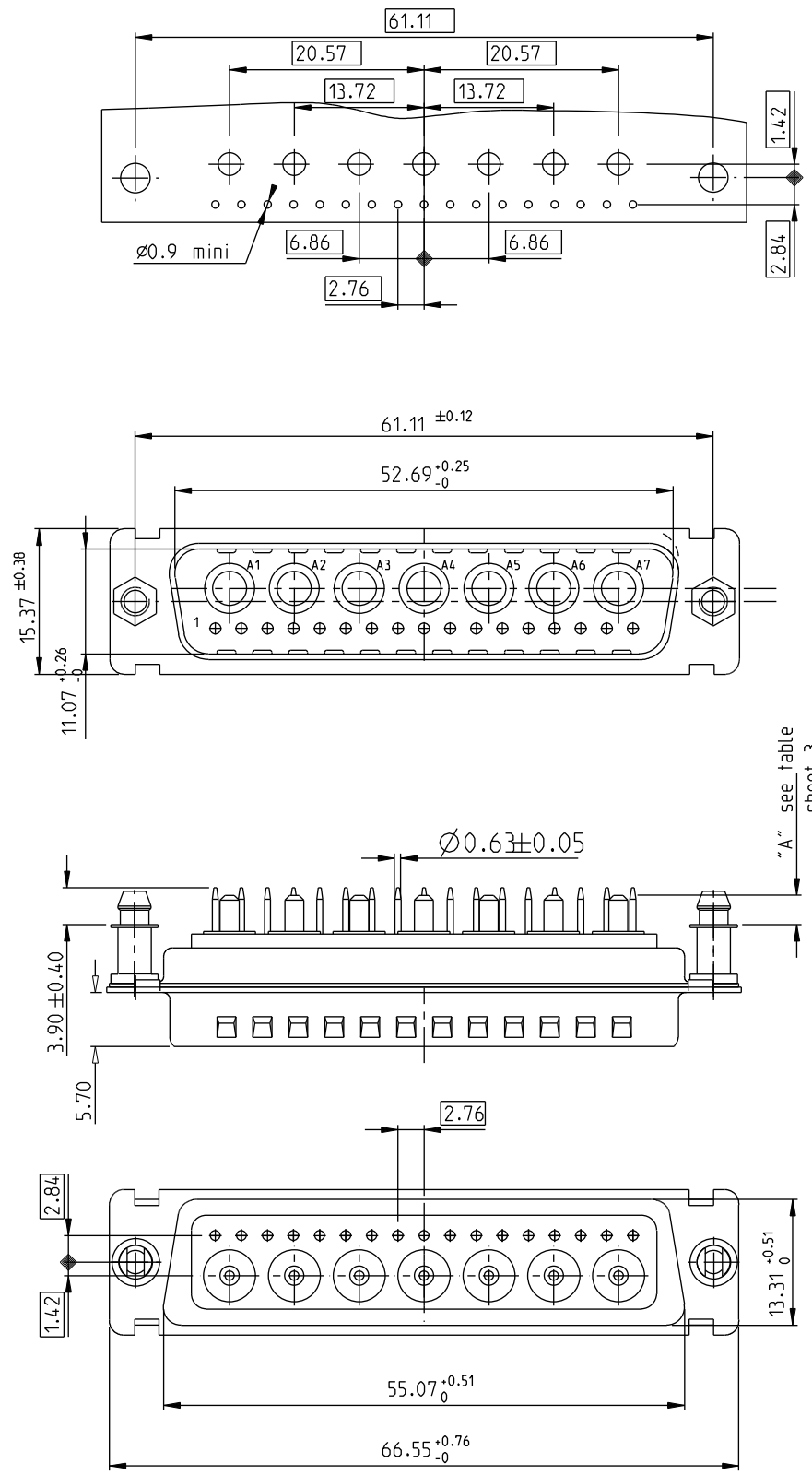
For PCB hole diameters see table 1 sheet 1



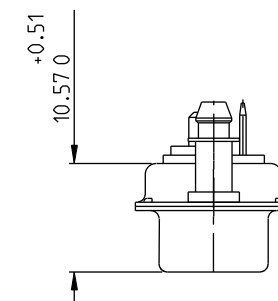
24W7

LAYOUT AND CONNECTOR DIMENSIONS

For PCB hole diameters see table 1 sheet 1



SIDE VIEW FOR LAYOUT: D



Copyright FCI.

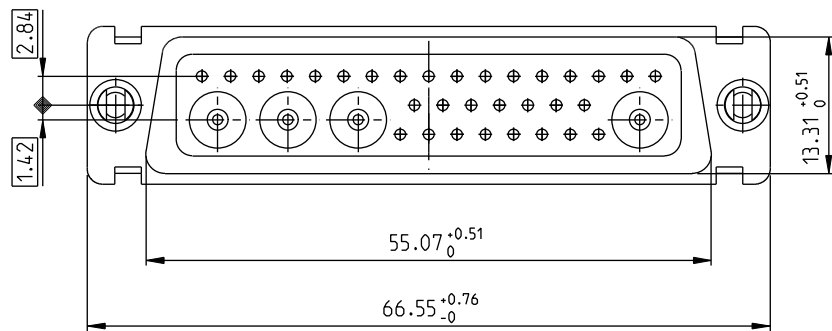
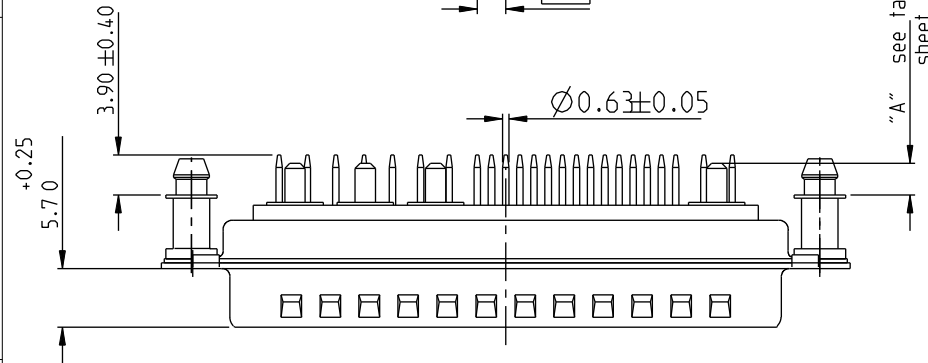
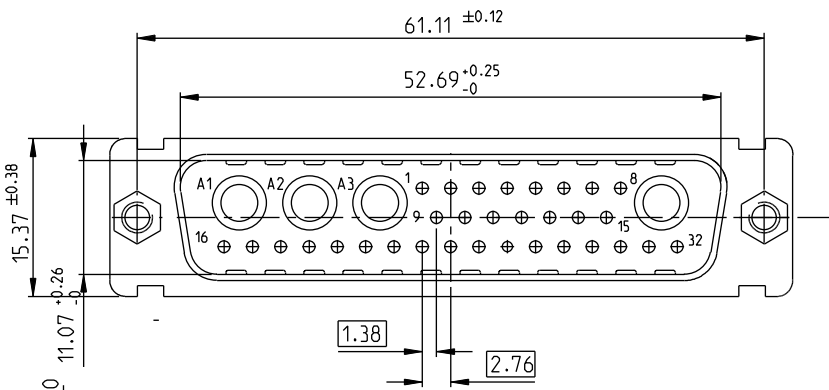
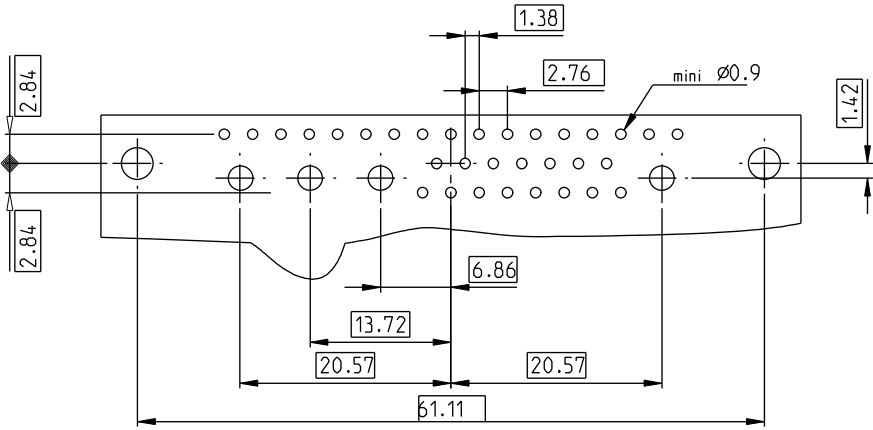


www.fciconnect.com		surface	tolerance std	projection	
		TOLERANCES UNLESS OTHERWISE SPECIFIED			
Dr	M PESSON	2005-10-11	0.x	±/	size A2
Eng	P LEGARE	2005-10-11	ANGULAR	LINEAR	0.xx
Chr			0° ±°	0.xxx	±/
Appr			Product family		- Spec ref
title		SUB MALE DW		dwg no	C01-8639-2306
catalog no		mixed power straight solder		Rev.	J
		CUSTOMER		sheet 6 of 7	

36W4

LAYOUT AND CONNECTOR DIMENSIONS

For PCB hole diameters see table 1 sheet 1

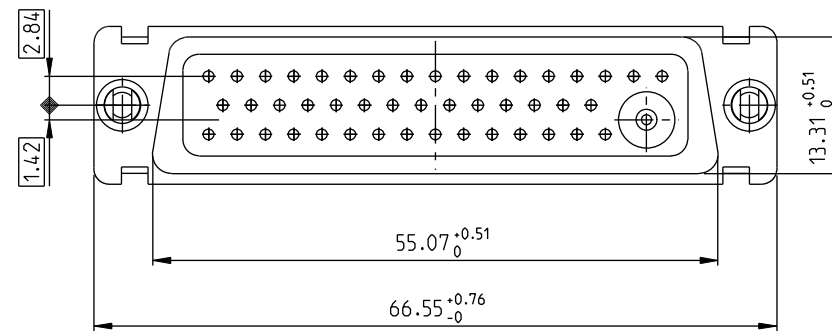
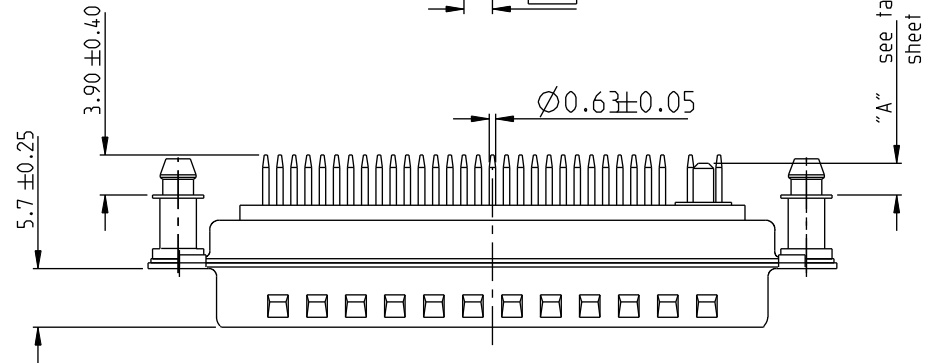
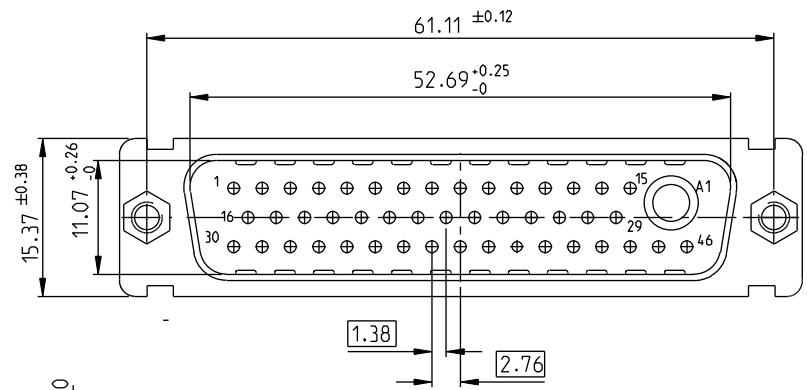
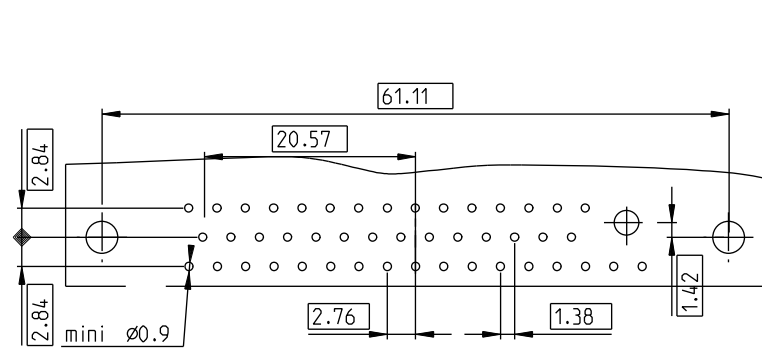


Floating signal contacts

47W1

LAYOUT AND CONNECTOR DIMENSIONS

For PCB hole diameters see table 1 sheet 1



www.fciconnect.com		Surface <input checked="" type="checkbox"/>	tolerance std	projection	
TOLERANCES UNLESS OTHERWISE SPECIFIED					
Dr	M PESSON	2005-10-11	ANGULAR	0.x	±/
Eng	P LEGARE	2005-10-11	LINEAR	0.xx	±/
Chr			0° ±°	0.xxx	±/
Appr			Product family	-	Spec ref
title SUB MALE DW		dwg no C01-8639-2306		Rev. J	
mixed power straight solder		CUSTOMER		sheet 7 of 7	
catalog no					