

# DATA SHEET

**OQ2541HP; OQ2541U**  
SDH/SONET data and clock  
recovery unit STM1/4/16  
OC3/12/48 GE

Product specification  
Supersedes data of 1999 Mar 19  
File under Integrated Circuits, IC19

1999 May 27

## SDH/SONET data and clock recovery unit STM1/4/16 OC3/12/48 GE

### OQ2541HP; OQ2541U

#### FEATURES

- Data and clock recovery up to 2.5 Gbits/s
- Multirate configurable (155, 622, 1250 or 2500 Mbits/s)
- Differential data input with 2.5 mV (p-p) typical sensitivity
- Differential Current-Mode Logic (CML) data and clock outputs with 50  $\Omega$  driving capability
- Adjustable CML output level
- Loop mode for system testing
- Bit error rate related loss of signal detection
- Few external components needed
- Single supply voltage
- Power dissipation 350 mW (typical value)
- LQFP48 plastic package.

#### APPLICATIONS

- Data and clock recovery in STM1/OC3, STM4/OC12 and STM16/OC48 transmission systems
- Data and clock recovery in Gigabit Ethernet (GE) transmission systems.

#### DESCRIPTION

The OQ2541 is a data and clock recovery IC intended for use in Synchronous Digital Hierarchy (SDH) and Synchronous Optical Network (SONET) systems. The circuit recovers data and extracts the clock signal from an incoming bitstream up to 2.5 Gbits/s. It can be configured for use in STM1/OC3, STM4/OC12, STM16/OC48 and Gigabit Ethernet systems.

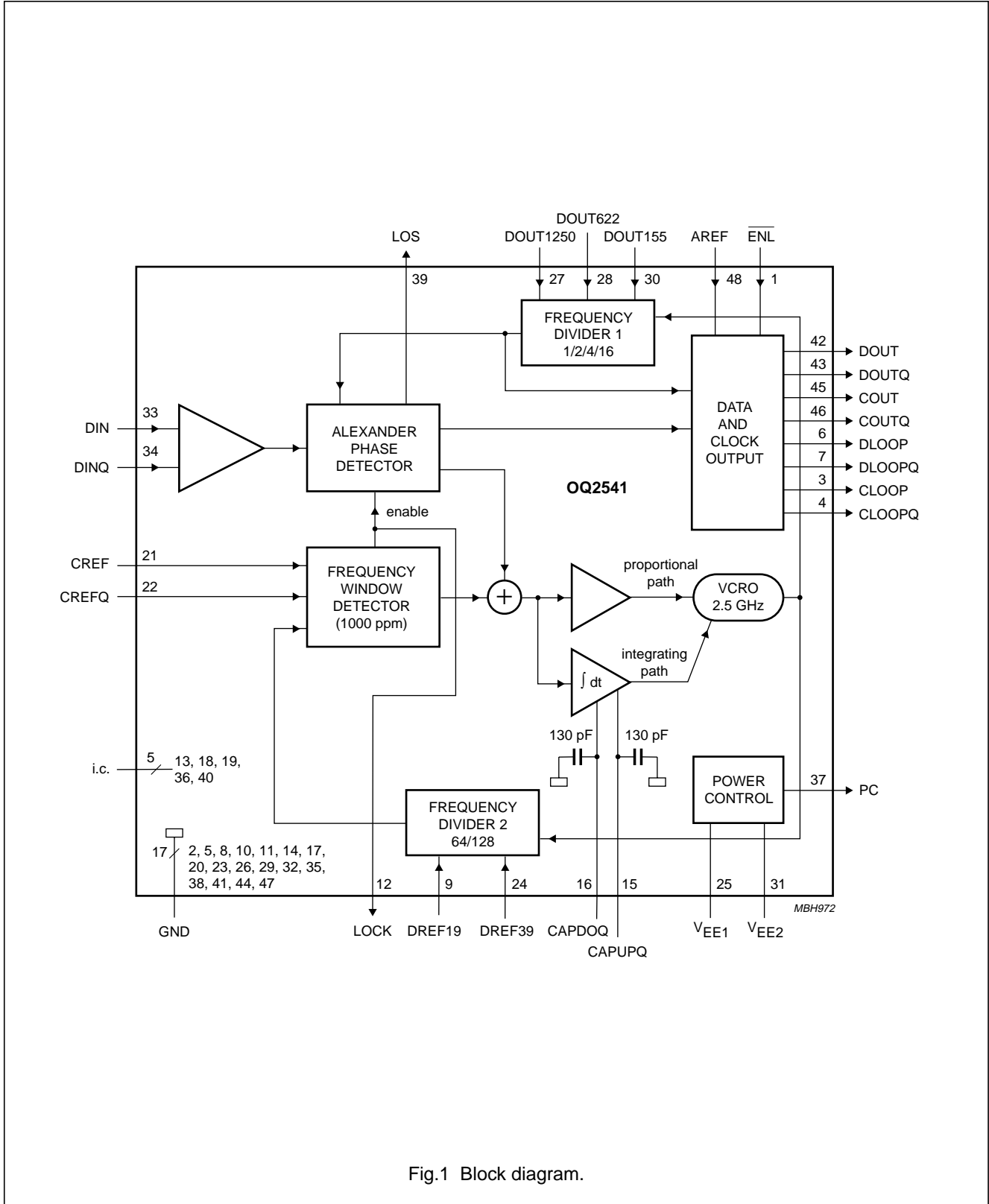
#### ORDERING INFORMATION

TYPE NUMBER	PACKAGE		
	NAME	DESCRIPTION	VERSION
OQ2541HP	LQFP48	plastic low profile quad flat package; 48 leads; body 7 × 7 × 1.4 mm	SOT313-2
OQ2541U	–	bare die; 2360 × 2360 × 380 $\mu\text{m}$	–

# SDH/SONET data and clock recovery unit STM1/4/16 OC3/12/48 GE

OQ2541HP; OQ2541U

## BLOCK DIAGRAM



# SDH/SONET data and clock recovery unit

## STM1/4/16 OC3/12/48 GE

OQ2541HP; OQ2541U

**PINNING**

SYMBOL	PIN	DESCRIPTION
$\overline{\text{ENL}}$	1	loop mode enable input (active LOW)
GND	2	ground; note 1
CLOOP	3	clock output in loop mode (differential)
CLOOPQ	4	inverted clock output in loop mode (differential)
GND	5	ground; note 1
DLOOP	6	data output in loop mode (differential)
DLOOPQ	7	inverted data output in loop mode (differential)
GND	8	ground; note 1
DREF19	9	reference frequency select input 1 (see Table 2)
GND	10	ground; note 1
GND	11	ground; note 1
LOCK	12	phase lock detection output
i.c.	13	internally connected; note 2
GND	14	ground; note 1
CAPUPQ	15	external loop filter capacitor connection
CAPDOQ	16	external loop filter capacitor return connection
GND	17	ground; note 1
i.c.	18	internally connected; note 2
i.c.	19	internally connected; note 2
GND	20	ground; note 1
CREF	21	reference clock input (differential)
CREFQ	22	inverting reference clock input (differential)
GND	23	ground; note 1
DREF39	24	reference frequency select input 2 (see Table 2)
$V_{EE1}$	25	negative supply voltage ( $-3.3\text{ V}$ ); note 3
GND	26	ground; note 1
DOUT1250	27	STM mode select input 1 (see Table 3)
DOUT622	28	STM mode select input 2 (see Table 3)
GND	29	ground; note 1
DOUT155	30	STM mode select input 3 (see Table 3)
$V_{EE2}$	31	negative supply voltage ( $-3.3\text{ V}$ ); note 3
GND	32	ground; note 1
DIN	33	data input (differential)
DINQ	34	inverting data input (differential)
GND	35	ground; note 1
i.c.	36	internally connected; note 2
PC	37	control output for negative power supply
GND	38	ground; note 1
LOS	39	loss of signal detection output
i.c.	40	internally connected; note 2

SDH/SONET data and clock recovery unit  
STM1/4/16 OC3/12/48 GE

OQ2541HP; OQ2541U

SYMBOL	PIN	DESCRIPTION
GND	41	ground; note 1
DOUT	42	data output in normal mode (differential)
DOUTQ	43	inverted data output in normal mode (differential)
GND	44	ground; note 1
COOUT	45	clock output in normal mode (differential)
COOUTQ	46	inverted clock output in normal mode (differential)
GND	47	ground; note 1
AREF	48	reference voltage input for controlling voltage swing on data and clock outputs

Notes

1. **ALL** GND pins or pads must be bonded; **do not leave one single GND pin or pad unconnected.**
2. **ALL** pins or pads denoted 'i.c.' should not be connected. Connections to these pins or pads degrade device performance.
3. **ALL** V<sub>EE</sub> pins or pads must be bonded; **do not leave one single V<sub>EE</sub> pin or pad unconnected.**

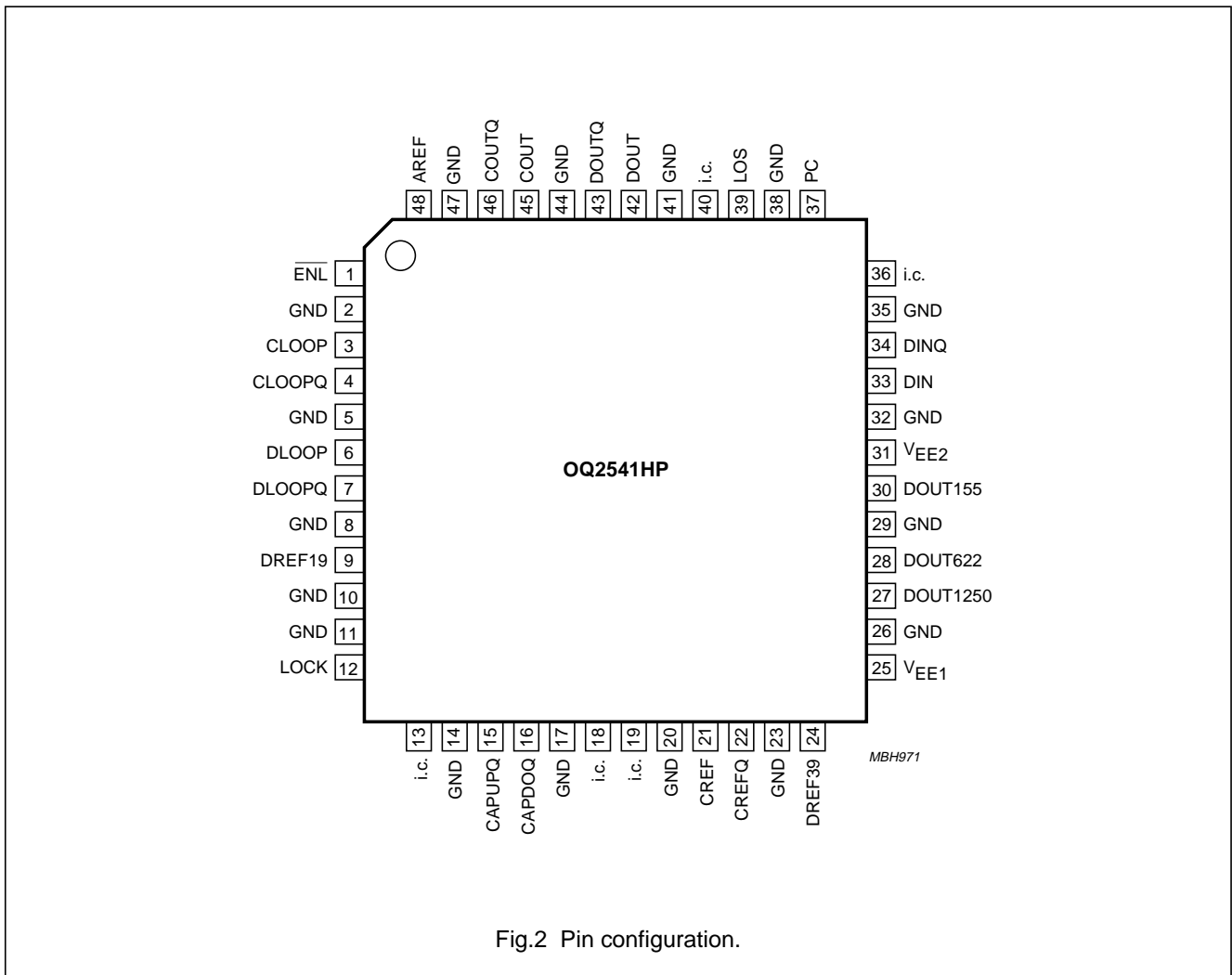


Fig.2 Pin configuration.

## SDH/SONET data and clock recovery unit STM1/4/16 OC3/12/48 GE

OQ2541HP; OQ2541U

### FUNCTIONAL DESCRIPTION

The OQ2541 recovers data and clock signals from an incoming high speed bitstream. The input signal on pins DIN and DINQ is buffered and amplified by the input circuitry (see Fig.1). The signal is then fed to the Alexander phase detector where the phase of the incoming data signal is compared with that of the internal clock. If the signals are out of phase, the phase detector generates correction pulses (up or down) that shift the phase of the Voltage Controlled Ring Oscillator (VCRO) output in discrete amounts ( $\Delta\phi$ ) until the clock and data signals are in phase. The technique used is based on principles first proposed by J.D.H. Alexander, hence the name of the phase detector.

### Data sampling

The eye pattern of the incoming data is sampled at three instants A, T and B (see Fig.3). When clock and data signals are synchronized (locked):

- A is the centre of the data bit
- T is in the vicinity of the next transition
- B is in the centre of the bit following the transition.

If the same level is recorded at both A and B, a transition has not occurred and no action is taken regardless of the level T. However, if levels A and B are different a transition has occurred and the phase detector uses level T to determine whether the clock was too early or too late with respect to the data transition.

If levels A and T are the same, but different from level B, the clock was too early and needs to be slowed down a little. The Alexander phase detector then generates a down pulse which stretches a single output pulse from the ring oscillator by approximately 0.25% which is 1 ps of the 400 ps bit period in the STM16/OC48 mode. This forces the VCRO to run at a slightly lower frequency for one bit period. The phase of the clock signal is thus shifted fractionally with respect to the data signal.

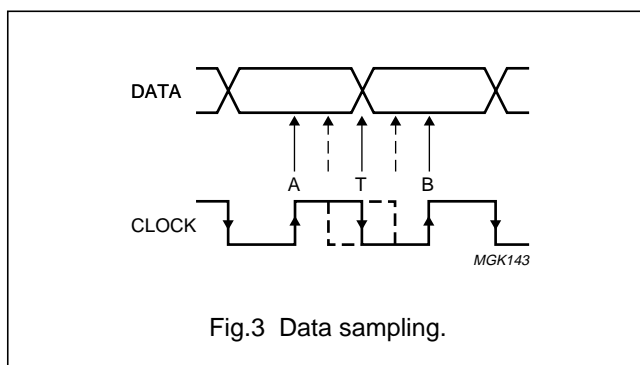


Fig.3 Data sampling.

If, on the other hand, levels B and T are the same but different from level A, the clock was too late and needs to be speeded up for synchronization. The phase detector generates an up pulse forcing the VCRO to run at a slightly higher frequency (+0.25%) for one bit period. The phase of the clock signal is shifted with respect to the data signal (as above, but in the opposite direction). Only the proportional path is active while these phase adjustments are being made. Because the instantaneous frequency of the VCRO can be changed only in one of two discrete steps ( $\pm 0.25\%$ ), this type of loop is also known as a Bang/Bang Phase-Locked Loop (PLL).

If not only the phase but also the frequency of the VCRO is incorrect, a long train of up or down pulses will be generated. This pulse train is integrated to generate a control voltage that is used to shift the centre frequency of the VCRO. Once the correct frequency has been established, only the phase will need to be adjusted for synchronization. The proportional path adjusts the phase of the clock signal, whereas the integrating path adjusts the centre frequency.

### Frequency window detector

The frequency window detector checks the VCRO frequency which must be within a 1 000 ppm (parts per million) window around the required frequency.

It compares the output of frequency divider 2 with the reference frequency on pins CREF and CREFQ (19.44 or 38.88 MHz; see Table 2). If the VCRO frequency is found to be outside this window, the frequency window detector disables the Alexander phase detector and forces the VCRO output to a frequency within the window. The phase detector then starts acquiring lock again. Because of the loose coupling of 1 000 ppm, the reference frequency does not need to be highly accurate or stable. Any crystal based oscillator that generates a reasonably accurate frequency (e.g. 100 ppm) will do.

Since sampling point A is always in the centre of the eye pattern when the data and clock signals are in phase (locked), the values recorded at this point are taken as the retrieved data. The data and clock signals are available at the CML output buffers, which are capable of driving a 50  $\Omega$  load.

### RF data and clock input circuit

The schematic of the input circuit is shown in Fig.4.

### RF data and clock output circuit

The schematic of the output circuit is shown in Fig.5.

SDH/SONET data and clock recovery unit  
STM1/4/16 OC3/12/48 GE

OQ2541HP; OQ2541U

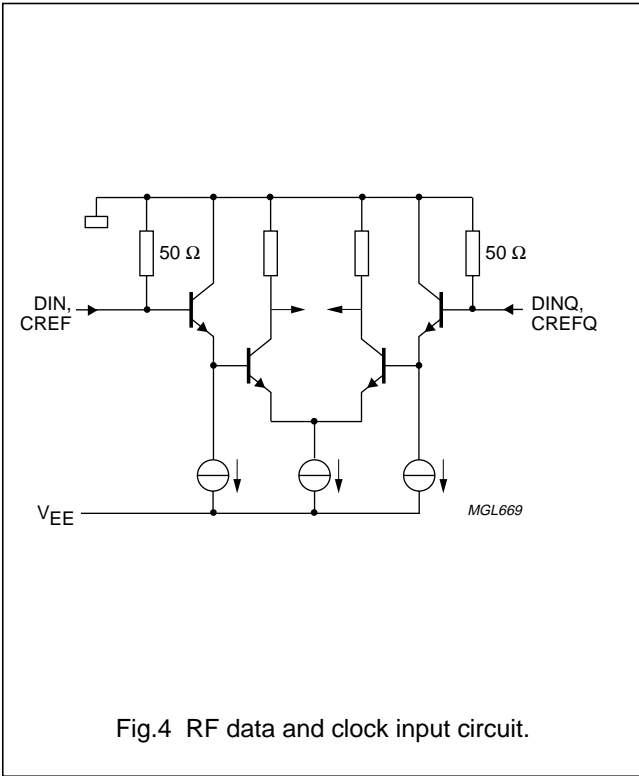


Fig.4 RF data and clock input circuit.

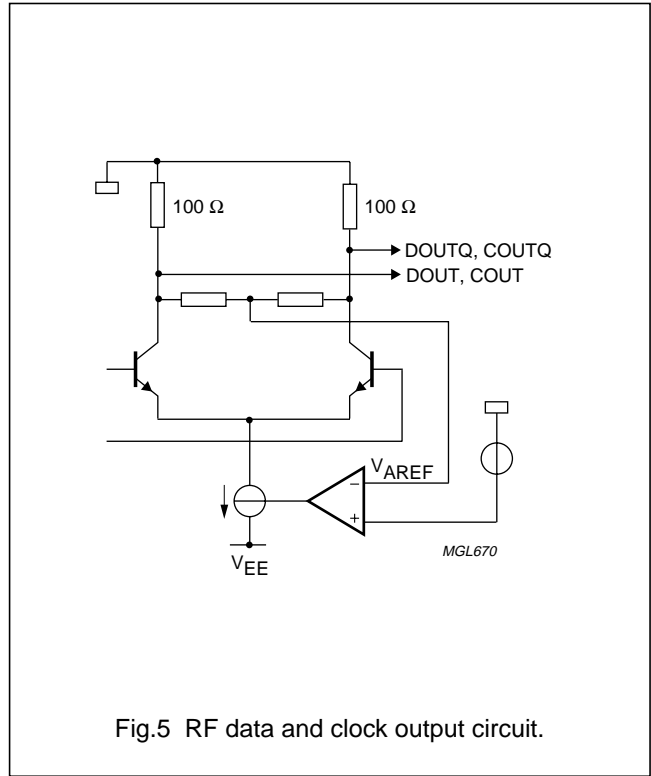


Fig.5 RF data and clock output circuit.

**Power supply and power control loop**

The OQ2541 contains an on-board voltage regulator. An external power transistor is needed to deliver the supply to this circuit. The required external circuit is straightforward, and can be built using a few components. A suitable circuit with a power supply of -4.5 V is illustrated in Fig.6.

A different configuration could be used, as long as the power supply rejection ratio is greater than 60 dB for all frequencies. The inductor is a RF choke with an impedance greater than 50 Ω at frequencies higher than 2 MHz. Any transistor with a β > 100 and enough current sink capability can be used.

The OQ2541 can also be used with a power supply of -5.0 or -5.2 V. The only adaptation to be made to the power control circuit is to change the emitter resistor R1 (see Table 1).

**Table 1** Value of resistor R1.

POWER SUPPLY	RESISTOR R1
-4.5 V	2.0 Ω
-5.0 V	6.8 Ω
-5.2 V	8.2 Ω

**Output amplitude reference**

The voltage swing at the CML compatible output stages (pins DOUT, DOUTQ, COUT, COUTQ, DLOOP, DLOOPQ, CLOOP and CLOOPQ) can be controlled by adjusting the voltage on pin AREF (see Fig.7). An internal voltage divider of 500 Ω and 16 kΩ connected between ground and VEE initially fixes this level.

In most applications the outputs will be DC-coupled to a load of 50 Ω. The output level regulation circuit will maintain a 200 mV (p-p) single-ended swing across this load. The voltage on pin AREF is half the single-ended peak-to-peak value of the output signal (-100 mV). No adjustments are necessary with DC-coupling.

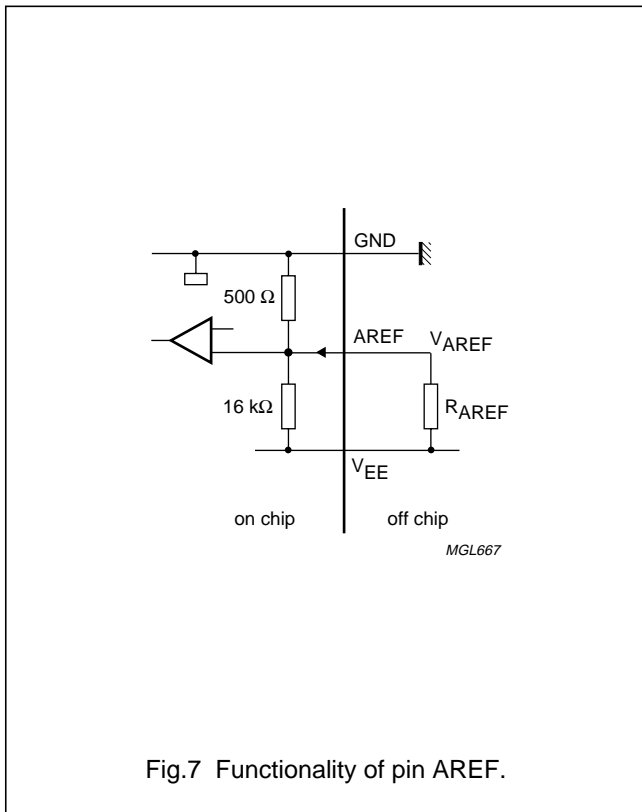
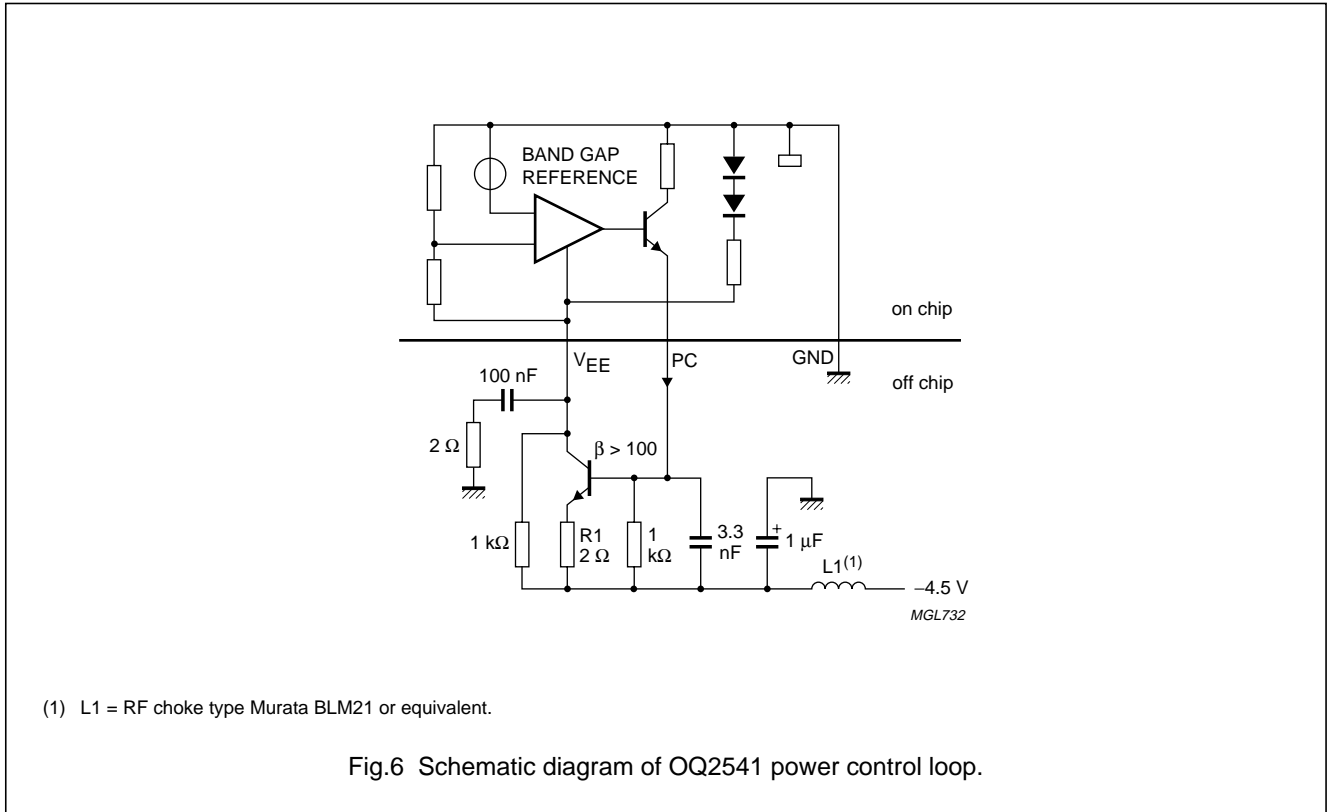
If the outputs are AC-coupled, the voltage on pin AREF is half the single-ended peak-to-peak value of the output

signal multiplied by a factor  $\frac{R_L + R_o}{R_L}$

where R<sub>L</sub> is the external load and R<sub>o</sub> is the output impedance of the OQ2541 (100 Ω).

SDH/SONET data and clock recovery unit  
STM1/4/16 OC3/12/48 GE

OQ2541HP; OQ2541U



If the outputs are AC-coupled, the formulae for calculating the required voltage on pin AREF and the value of the resistor connected between pins AREF and  $V_{EE}$  as follows:

$$V_{AREF} = -\frac{R_L + R_o}{R_L} \times 0.5V_{swing} \tag{1}$$

and:

$$R_{AREF} = \frac{R1 \times \left( \frac{V_{EE}}{V_{AREF}} - 1 \right)}{1 - \left( \frac{R1}{R2} \times \left( \frac{V_{EE}}{V_{AREF}} - 1 \right) \right)} \tag{2}$$

where  $R1 = 500 \Omega$ ,  $R2 = 16 \text{ k}\Omega$  and  $V_{EE} = -3.3 \text{ V}$ .

To maintain a single-ended swing of 200 mV (p-p) across a 50 Ω AC-coupled load, the voltage on pin AREF must be

$$-100 \text{ mV} \times \frac{(50 + 100) \Omega}{50 \Omega} = -300 \text{ mV}$$

This can be achieved by connecting a 7.3 kΩ resistor between pins AREF and  $V_{EE}$ .



SDH/SONET data and clock recovery unit  
STM1/4/16 OC3/12/48 GE

OQ2541HP; OQ2541U

**External capacitor for loop filter**

The loop filter is an integrator with a built-in capacitance of  $2 \times 130$  pF. An external capacitance of 200 nF must be connected between pins CAPUPQ and CAPDOQ to ensure loop stability while the frequency window detector is active.

**Loop mode enable**

The loop mode is provided for system testing (see Fig.8).

The loop mode is enabled by applying a voltage lower than 0.8 V (TTL LOW-level) to pin  $\overline{\text{ENL}}$ . This selects the loop mode: the outputs on pins DLOOP, DLOOPQ, CLOOP and CLOOPQ are switched on.

If a voltage higher than 2.0 V (TTL HIGH-level) is applied to pin  $\overline{\text{ENL}}$ , then pins DOUT, DOUTQ, COUT and COUTQ are switched on while pins DLOOP, DLOOPQ, CLOOP and CLOOPQ are disabled to minimize power consumption.

If pin  $\overline{\text{ENL}}$  is connected to  $V_{EE}$  (-3.3 V), all outputs are enabled.

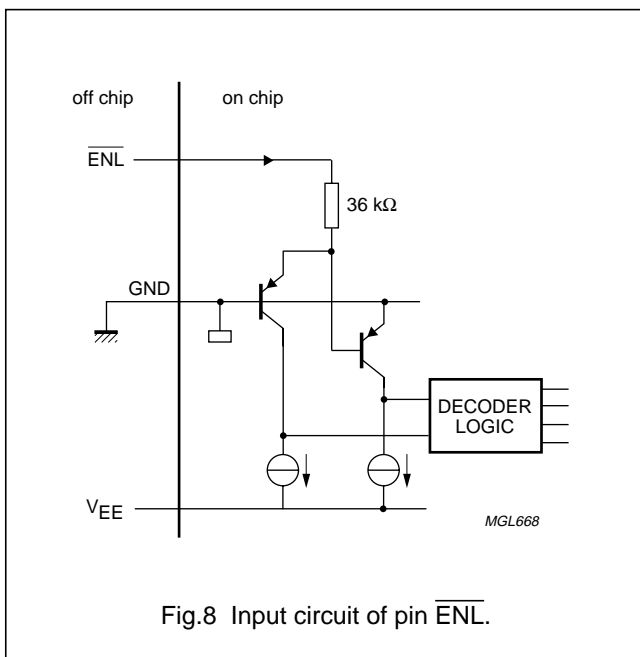


Fig.8 Input circuit of pin  $\overline{\text{ENL}}$ .

**Lock detection**

Pin LOCK should be interpreted as an indication for the presence of the reference clock on pin CREF and for properly functioning of the acquisition aid (frequency window detector).

Pin LOCK is an open-collector TTL output and should be pulled up with a 10 kΩ resistor to a positive supply voltage. If the VCO frequency is within a 1000 ppm window around the desired frequency, pin LOCK will remain at a HIGH-level. If no reference clock is present, or the VCO is outside the 1000 ppm window, pin LOCK will be at a LOW-level. The logic level on pin LOCK does not indicate locking of the PLL to the incoming data; this is indicated by the signal on pin LOS.

**Loss of signal detection**

The Loss Of Signal (LOS) function is closely related to the functionality of the Alexander phase detector; see Fig.3 for the meaning of A, B and T in this section.

In the functional description it is described that the phase detector does not take any action if the value at sample points A and B are the same, because there has not been any transition. However, if levels A and B are the same but different from level T, this still means there has not been any transition, but level T has got the wrong level somehow. This is probably due to noise or bad signal integrity, which will lead to a bit error. Hence the occurrence of this particular situation is an indication for bit errors. If too many of these bit errors occur per time and the PLL is gradually losing lock, the LOS alarm is asserted. The LOS alarm assert level is around a Bit Error Rate (BER) for  $BER = 5 \cdot 10^{-2}$  and the de-assert level is around  $BER = 1 \cdot 10^{-3}$ .

The LOS function will only work properly if the input signal is larger than the input offset of the OQ2541; otherwise, the signal will be masked by the input offset and interpreted as consecutive bits of the same sign, thus obstructing a proper LOS detection. In practice an optical front-end device with a noise level (RMS value) larger than the specified offset of the OQ2541 will ensure a proper LOS indication.

The LOS detection is BER related, but neither dependent on the data stream content, nor protocol. Therefore, an SDH/SONET data stream is no prerequisite for a proper LOS function. Since the LOS function of the OQ2541 is derived from digital signals, it is a good supplement to an analog, amplitude based, LOS indication.

Pin LOS is an open-collector TTL compatible output. A pull-up resistor should be connected to a positive supply voltage.

Pin LOS will be at a HIGH-level (TTL) if the data signal is absent on pins DIN and DINQ or if  $BER > 5 \cdot 10^{-2}$ ; otherwise pin LOS will be at a LOW-level if  $BER < 1 \cdot 10^{-3}$ .

**SDH/SONET data and clock recovery unit  
STM1/4/16 OC3/12/48 GE**

**OQ2541HP; OQ2541U**

**Reference frequency select**

A reference clock signal of 19.44 or 38.88 MHz must be connected to pins CREF and CREFQ. It should be noted that the reference frequency should be either 39.0625 MHz or 19.53125 MHz in a Gigabit Ethernet system. Pins DREF19 and DREF39 are used to select the appropriate output frequency at frequency divider 2 (see Table 2).

To minimize the adverse influence of reference clock crosstalk, a differential signal with an amplitude from 75 to 150 mV (p-p) is advised.

Since the reference clock is only used as an acquisition aid for the PLL of the frequency window detector, the quality of the reference clock (i.e. phase noise) is not important. There is no phase noise specification imposed on the reference clock generator and even frequency stability may be in the order of 100 ppm. In general, most inexpensive crystal based oscillators are suitable.

When the OQ2541 is used in an application with a fixed reference clock frequency, it is best to connect the planes of pins DREF19 and DREF39 with a short trace or a via to the plane of pin GND or pin V<sub>EE</sub>. If a selectable reference clock frequency is required in the application, the pins can be controlled through low ohmic switching FETs, e.g. BSH103 or equivalent (low R<sub>DSon</sub>).

**Table 2** Reference frequency selection

FREQUENCY (MHz)	DIVISION FACTOR	LEVEL ON PIN	
		DREF19	DREF39
38.88	64	ground	V <sub>EE</sub>
19.44	128	V <sub>EE</sub>	V <sub>EE</sub>

**STM mode selection**

The VCRO has a very large tuning range. However, the performance of the OQ2541 is optimized for SDH/SONET bit rates.

**Table 3** STM mode select

MODE	BIT RATE (Mbits/s)	DIVISION FACTOR	LEVEL ON PIN		
			DOUT155	DOUT622	DOUT1250
STM1/OC3	155.52	16	V <sub>EE</sub>	V <sub>EE</sub>	V <sub>EE</sub>
STM4/OC12	622.08	4	ground	V <sub>EE</sub>	V <sub>EE</sub>
Gigabit Ethernet	1250.00	2	ground	ground	V <sub>EE</sub>
STM16/OC48	2488.32	1	ground	ground	ground

Due to the nature of the PLL, the very wide tuning range is a necessity for proper lock behaviour over the guaranteed temperature range, aging and batch to batch spread.

Though it might seem that the OQ2541 is capable of recovering other bit rates than SDH/SONET and Gigabit Ethernet rates (STM1/OC3, STM4/OC12, STM16/OC48 and 1250 Mbits/s), the behaviour can not be guaranteed.

The required SDH/SONET bit rate is selected by connecting pins DOUT155, DOUT622 and DOUT1250 to ground or to the supply voltage V<sub>EE</sub> (see Table 3):

- For STM16/OC48 (2488.32 Mbits/s) operation: all three pins must be connected to ground
- For Gigabit Ethernet (1250 Mbits/s) operation: pin DOUT1250 must be connected to V<sub>EE</sub>
- For STM4/OC12 (622.08 Mbits/s) operation: pins DOUT1250 and DOUT622 must be connected to V<sub>EE</sub> (the dividers are daisy chained)
- For STM1/OC3 (155.52 Mbits/s) operation: all three pins must be connected to V<sub>EE</sub>.

The connections to V<sub>EE</sub> and ground carry a current of a few milliamperes and should have low resistance and inductance, so short printed-circuit board tracks are recommended. In some cases a decoupling capacitor near the selection pins can be necessary to provide a clean return path for RF signals.

When the OQ2541 is used in an application with a fixed data rate, it is best to connect the planes of pins DOUT155, DOUT622 and DOUT1250 with a short trace or a via to the plane of pin GND or pin V<sub>EE</sub>. If a selectable reference clock frequency is required in the application, the pins can be controlled through low-ohmic switching FETs, e.g. BSH103 or equivalent (low R<sub>DSon</sub>).

# SDH/SONET data and clock recovery unit STM1/4/16 OC3/12/48 GE

OQ2541HP; OQ2541U

### Application with positive supply voltage

Due to the versatile design of the OQ2541 the device can also operate in a positive supply voltage application, although some pins have a different mode of operation.

This section deals with these differences and supports the user with achieving a successful application of the OQ2541 in a +5 V environment.

#### APPLICATION DIAGRAM

A sample application diagram can be found in Fig.29. It should be noted that all pins GND are now connected to  $V_{CC}$  and all pins  $V_{EE}$  are connected to the regulated voltage from the power controller.

#### OUTPUT SELECTION

In a positive supply voltage application, the loop mode is the default RF output. Due to the decoding logic on pin  $\overline{ENL}$ , it is only possible to select the loop mode outputs or enable all the outputs.

If pin  $\overline{ENL}$  is connected to  $V_{CC}$  (+5 V), only the loop mode outputs are active (see Table 4). When pin  $\overline{ENL}$  is connected to  $V_{EE}$  (the voltage is approximately 3.3 V below  $V_{CC}$ ) all outputs become active. In the positive supply voltage application the normal mode outputs can not be selected, unless the voltage on pin  $\overline{ENL}$  is 2 V above the positive supply voltage ( $V_{CC}$ ).

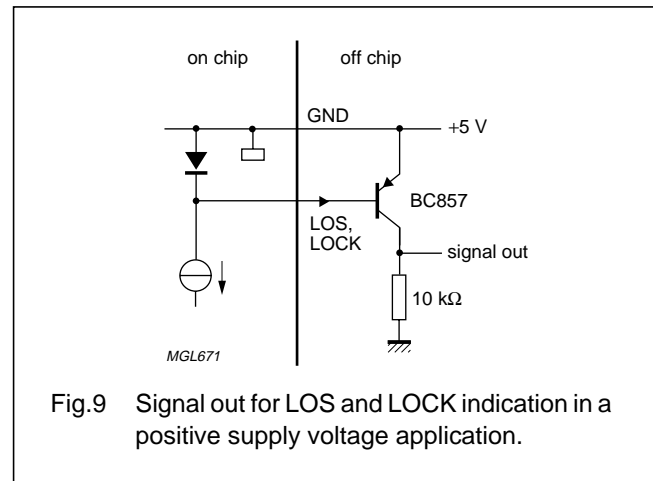
**CAUTION**

Do not to connect pin  $\overline{ENL}$  to ground, because this will destroy the IC.

### LOSS OF SIGNAL AND LOCK DETECTION

In the negative supply application, pins LOS and LOCK are open-collector outputs that require pull-up resistors to a positive supply voltage.

In the positive supply application, the pull-up voltage would need to be higher then the positive supply voltage and the signals on pins LOS and LOCK would not be TTL compatible any more. However, the internal circuit on pins LOS and LOCK can be used in a current mirror configuration (see Fig.9). This requires only an external PNP transistor (e.g. BC857 or equivalent) to mirror the current. A 10 k $\Omega$  pull-down resistor from the collector of the external transistor to ground yields a TTL compatible signal again, albeit inverted. Table 5 shows the meaning of the LOS and LOCK flag, when used in the positive supply application.



**Table 4** Output selection in a positive supply voltage application

MODE	LEVEL ON PIN $\overline{ENL}$	OUTPUT	
		DLOOP, DLOOPQ, CLOOP AND CLOOPQ	DOUT, DOUTQ, COUT AND COUTQ
Loop	$V_{CC}$ (+5 V)	active	–
Loop and normal	$V_{EE}$ ( $V_{CC} - 3.3$ V)	active	active
Normal	$V_{CC} + 2$ V	–	active

**Table 5** LOS and LOCK indication in a positive supply voltage application

SIGNAL	DESCRIPTION	LEVEL	TTL
LOS active	loss of signal: BER > $5 \cdot 10^{-2}$	0 V (ground)	LOW
LOS inactive	no loss of signal: BER < $1 \cdot 10^{-3}$	+5 V ( $V_{CC}$ )	HIGH
LOCK active	reference clock present and VCRO inside 1000 ppm window	0 V (ground)	LOW
LOCK inactive	no reference clock present or VCRO outside 1000 ppm window	+5 V ( $V_{CC}$ )	HIGH

---

**SDH/SONET data and clock recovery unit**  
**STM1/4/16 OC3/12/48 GE**

---

**OQ2541HP; OQ2541U****DIVIDER SETTINGS**

The reference frequency dividers and the STM mode selectors still operate the same in a positive supply voltage application. The only difference is that pins formerly connected to ground should now be connected to  $V_{CC}$  (+5 V). Pins connected to  $V_{EE}$  should still be connected to  $V_{EE}$  because connecting these pins to ground (0 V) will damage the IC.

**RF INPUT AND OUTPUTS**

All RF inputs, outputs and internal signals of the OQ2541 are referenced to pins GND. In the positive supply voltage application, this means that all RF signals are referenced to  $V_{CC}$ . Therefore a clean  $V_{CC}$  rail is of ultimate importance for proper RF performance. The best performance is obtained when the transmission line reference plane is also decoupled to  $V_{CC}$ . Careful design of  $V_{CC}$  and good decoupling schemes should be taken into account. While designing the printed-circuit board, bear in mind that the  $V_{CC}$  has become what was formerly ground.

While laying out the application, the return path is the most important issue to be considered. It is always advised to examine carefully the current carrying loops in the design. Care should be taken that for all frequencies (both of interest and not of interest) low ohmic and low inductance return paths are available. These return paths should preferably have an enclosed area as small as possible, both horizontally and vertically (by means of through-holes or vias). The position of a decoupling capacitor is very important. A decoupling capacitor on an unfavourable position could do more damage than completely omitting the capacitor, while on the right location it can mean the difference between mediocre results and the ultimate achievement.

## SDH/SONET data and clock recovery unit STM1/4/16 OC3/12/48 GE

OQ2541HP; OQ2541U

### LIMITING VALUES

In accordance with the Absolute Maximum Rating System (IEC 134).

SYMBOL	PARAMETER	MIN.	MAX.	UNIT
$V_{EE}$	negative supply voltage	-6	+0.5	V
$V_n$	DC voltage on pins CLOOP, CLOOPQ, DLOOP, DLOOPQ, CREF, CREFQ, DIN, DINQ, DOUT, DOUTQ, COUT and COUTQ $\overline{ENL}$ , LOCK and LOS, DREF19, DREF39, DOUT1250, DOUT622, DOUT155, PC and AREF CAPUPQ and CAPDOQ	-1 $V_{EE} - 0.5$ $V_{EE} - 0.5$ $V_{EE} + 0.5$	+0.5 +5.5 +0.5 -0.5	V V V V
$I_n$	input current on pins $\overline{ENL}$ CREF, CREFQ, DIN and DINQ	- -20	1 +10	mA mA
$P_{tot}$	total power dissipation	-	700	mW
$T_{amb}$	ambient temperature	-40	+85	°C
$T_j$	junction temperature	-40	+110	°C
$T_{stg}$	storage temperature	-65	+150	°C

### HANDLING INSTRUCTIONS

Precautions should be taken to avoid damage through electrostatic discharge. This is particularly important during assembly and handling of the bare die. Additional safety can be obtained by bonding the  $V_{EE}$  and GND pads first, the remaining pads may then be bonded to their external connections in any order.

### THERMAL CHARACTERISTICS

SYMBOL	PARAMETER	CONDITIONS	VALUE	UNIT
$R_{th(j-s)}$	thermal resistance from junction to solder point		46	K/W
$R_{th(j-a)}$	thermal resistance from junction to ambient	in free air; note 1	67	K/W

#### Note

- Thermal resistance from junction to ambient is determined with the IC soldered on a standard single sided  $57 \times 57 \times 1.6$  mm FR4 epoxy PCB with 35  $\mu$ m thick copper traces. The measurements are performed in still air.

# SDH/SONET data and clock recovery unit

## STM1/4/16 OC3/12/48 GE

OQ2541HP; OQ2541U

**CHARACTERISTICS**

$V_{EE} = -3.3$  V;  $T_{amb} = -40$  to  $+85$  °C; typical values measured at  $T_{amb} = 25$  °C; all voltages are measured with respect to GND.

SYMBOL	PARAMETER	CONDITIONS	MIN.	TYP.	MAX.	UNIT
<b>Supply</b>						
$V_{EE}$	negative supply voltage	see Fig.12; note 1	-3.50	-3.30	-3.10	V
$I_{EE}$	negative supply current	open outputs; see Fig.13	-	105	155	mA
$P_{tot}$	total power dissipation		-	350	550	mW
<b>Data and clock inputs: pins DIN, DINQ, CREF and CREFQ</b>						
$V_{i(p-p)}$	input voltage (peak-to-peak value)	50 $\Omega$ measurement system; see Fig.10; notes 2 and 3	7	200	450	mV
$V_{i(sens)(p-p)}$	input sensitivity (peak-to-peak value)	50 $\Omega$ measurement system; notes 2 and 4	-	2.5	7	mV
$V_{IO}$	DC input offset voltage	50 $\Omega$ measurement system	-3	0	+3	mV
$V_I$	input voltage	50 $\Omega$ measurement system	-600	-200	+250	mV
$Z_i$	input impedance	single-ended; see Fig.4; note 5	-	50	-	$\Omega$
<b>Data and clock outputs: pins DOUT, DOUTQ, DLOOP, DLOOPQ, COUT, COUTQ, CLOOP and CLOOPQ</b>						
$V_{o(p-p)}$	output voltage swing (peak-to-peak value)	50 $\Omega$ measurement system; single-ended; see Fig.10 default adjustment; note 6 special adjustment; note 7	170 50	200 -	210 400	mV mV
$V_O$	output voltage		-600	-	0	mV
$Z_o$	output impedance	single-ended	-	100	-	$\Omega$
$t_{r(C)}$	clock output rise time	differential; 20% to 80%	-	54	-	ps
$t_{f(C)}$	clock output fall time	differential; 20% to 80%	-	54	-	ps
$t_{r(D)}$	data output rise time	differential; 20% to 80%	-	116	-	ps
$t_{f(D)}$	data output fall time	differential; 20% to 80%	-	116	-	ps
$t_{d(D-C)}$	data-to-clock delay	see Fig.11; note 8	250	280	310	ps
<b>Output amplitude adjustment: pin AREF</b>						
$V_{AREF}$	output amplitude reference voltage	floating pin	-110	-100	-90	mV
<b>Power control output: pin PC</b>						
$g_m$	transconductance		-84	-60	-42	mA/V
$I_o$	output current		1	-	3.5	mA
<b>Loop mode enable input: pin ENL</b>						
$V_{IL}$	LOW-level input voltage		-	-	0.8	V
$V_{IH}$	HIGH-level input voltage		2.0	-	-	V
<b>Phase lock indicator: pin LOCK</b>						
$V_{OL}$	LOW-level output voltage	note 9	-0.6	-	-	V
$V_{OH}$	HIGH-level output voltage	note 9	-	-	3.3	V

SDH/SONET data and clock recovery unit  
STM1/4/16 OC3/12/48 GE

OQ2541HP; OQ2541U

SYMBOL	PARAMETER	CONDITIONS	MIN.	TYP.	MAX.	UNIT
<b>Loss of signal indicator: pin LOS</b>						
V <sub>OL</sub>	LOW-level output voltage	note 9	-0.6	-	-	V
V <sub>OH</sub>	HIGH-level output voltage	note 9	-	-	3.3	V
t <sub>as</sub>	assert time	note 10	-	0.1	-	μs
t <sub>das</sub>	de-assert time	note 10	-	10	-	μs
BER <sub>as</sub>	assert bit error rate	note 10	-	5 · 10 <sup>-2</sup>	-	BER
BER <sub>das</sub>	de-assert bit error rate	note 10	-	1 · 10 <sup>-3</sup>	-	BER
<b>PLL characteristics</b>						
t <sub>acq</sub>	acquisition time	CREF = 19.44 MHz	-	100	200	μs
		CREF = 38.88 MHz	-	50	200	μs
J <sub>tol(p-p)</sub>	jitter tolerance (peak-to-peak value)	STM1/OC3 mode; note 11				
		f = 6.5 kHz	1.5	>10	-	UI
		f = 65 kHz	0.15	1.3	-	UI
		f = 1 MHz	0.15	0.8	-	UI
		STM4/OC12 mode; note 11				
		f = 25 kHz	1.5	>10	-	UI
		f = 100 kHz	0.7	3	-	UI
		f = 250 kHz	0.15	1.3	-	UI
		f = 1 MHz	0.15	0.50	-	UI
		f = 5 MHz	0.15	0.35	-	UI
		STM16/OC48 mode; note 11				
		f = 100 kHz	1.5	>10	-	UI
f = 1 MHz	0.15	1.1	-	UI		
f = 10 MHz	0.15	0.23	-	UI		
J <sub>gen(p-p)</sub>	jitter generation (peak-to-peak value)	STM1/OC3 mode; note 12				
		f = 500 Hz to 1.3 MHz	-	0.039	0.50	UI
		f = 12 kHz to 1.3 MHz	-	0.032	0.10	UI
		f = 65 kHz to 1.3 MHz	-	0.032	0.10	UI
		STM4/OC12 mode; note 12				
		f = 1 kHz to 5 MHz	-	0.050	0.50	UI
		f = 12 kHz to 5 MHz	-	0.040	0.10	UI
		f = 250 kHz to 5 MHz	-	0.052	0.10	UI
		STM16/OC48 mode; note 12				
		f = 5 kHz to 20 MHz	-	0.079	0.50	UI
		f = 12 kHz to 20 MHz	-	0.063	0.10	UI
		f = 1 to 20 MHz	-	0.053	0.10	UI

## SDH/SONET data and clock recovery unit STM1/4/16 OC3/12/48 GE

OQ2541HP; OQ2541U

SYMBOL	PARAMETER	CONDITIONS	MIN.	TYP.	MAX.	UNIT	
$J_{\text{gen(rms)}}$	jitter generation (RMS value)	STM1/OC3 mode; note 12					
		f = 500 Hz to 1.3 MHz	–	0.0060	–	UI	
		f = 12 kHz to 1.3 MHz	–	0.0046	–	UI	
		f = 65 kHz to 1.3 MHz	–	0.0041	–	UI	
		STM4/OC12 mode; note 12					
		f = 1 kHz to 5 MHz	–	0.0093	–	UI	
		f = 12 kHz to 5 MHz	–	0.0079	–	UI	
		f = 250 kHz to 5 MHz	–	0.0081	–	UI	
		STM16/OC48 mode; note 12					
f = 5 kHz to 20 MHz	–	0.0143	–	UI			
f = 12 kHz to 20 MHz	–	0.0139	–	UI			
f = 1 to 20 MHz	–	0.0079	–	UI			
TDR	transitionless data run	note 13	–	2000	–	bits	

### Notes

- Typical power supply voltage for the voltage regulator is  $-4.5$  V (see Fig.6).
- It is assumed that both CML inputs carry a complementary signal with the specified peak-to-peak value (true differential excitation).
- The specified input voltage range is the guaranteed and tested range for proper operation;  $\text{BER} < 1 \cdot 10^{-10}$ .
- An input sensitivity of 7 mV (p-p) for  $\text{BER} < 1 \cdot 10^{-10}$  is guaranteed. The typical input sensitivity for  $\text{BER} < 1 \cdot 10^{-10}$  is 2.5 mV (p-p).
- CML inputs are terminated internally using on-chip resistors of  $50 \Omega$  connected to ground.
- Output voltage range with default reference voltage on pin AREF (floating).
- Output voltage range with adjustment of voltage on pin AREF (see Section "Output amplitude reference").
- Measured with 1010 data pattern, single-ended output signals and rising edges of the signals on pins COUT to DOUT or pins CLOOP to DLOOP. It should be noted that small deviations of the specified value are possible if measured differentially.
- External pull-up resistor of  $10 \text{ k}\Omega$  connected to supply voltage of  $+3.3$  V.
- LOS assert or de-assert timing and BER level are for indication only. The values are neither production tested nor guaranteed.
- Measured in accordance with ITU specification G.958. Measured on demoboard OM5801 for STM16/OC48 and demoboard OM5802 for STM1/OC3 and STM4/OC12. See for more information "Application note AN96051" and "Application note AN97065".
- Measured in accordance with ITU specification G.813 and 1 dB above the system input sensitivity power level. Measured on demoboard OM5801 for STM16/OC48 and on demoboard OM5802 for STM1/OC3 and STM4/OC12.
- TDR is bit rate independent.



SDH/SONET data and clock recovery unit  
STM1/4/16 OC3/12/48 GE

OQ2541HP; OQ2541U

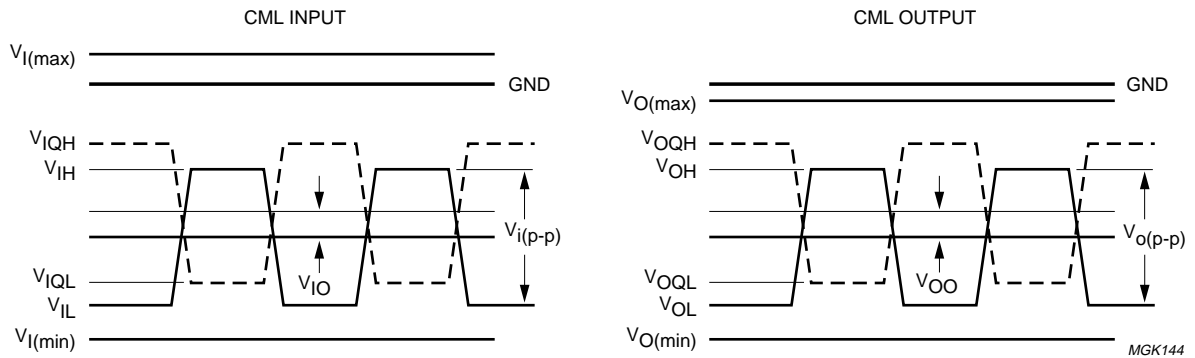


Fig.10 Logic level symbol definitions for CML.

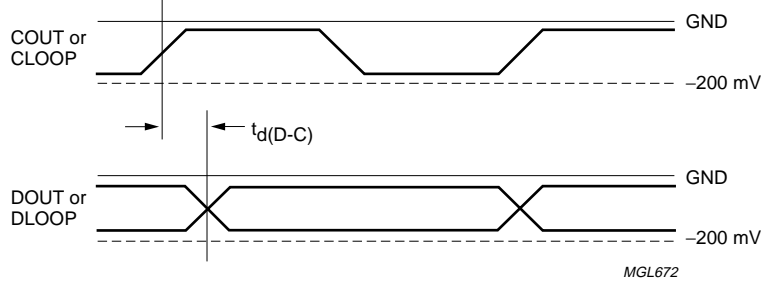
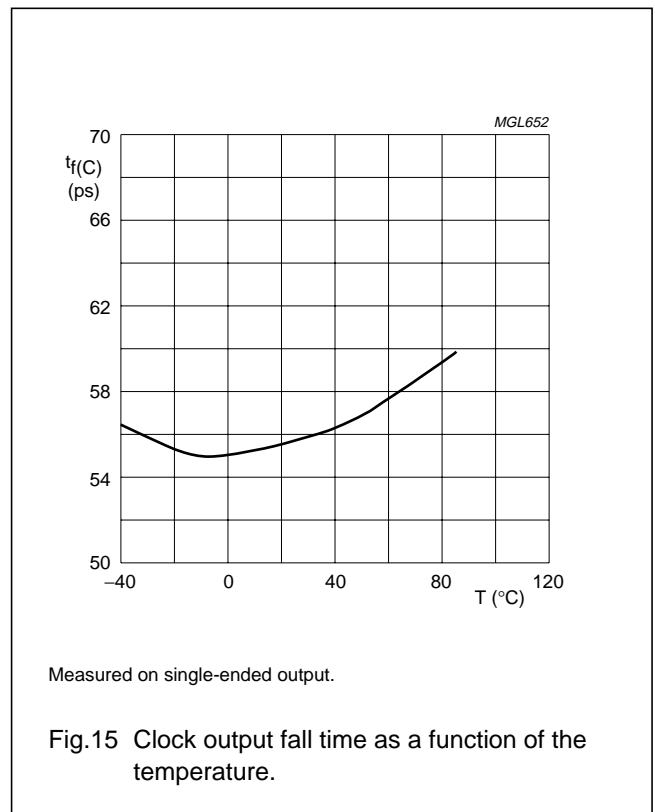
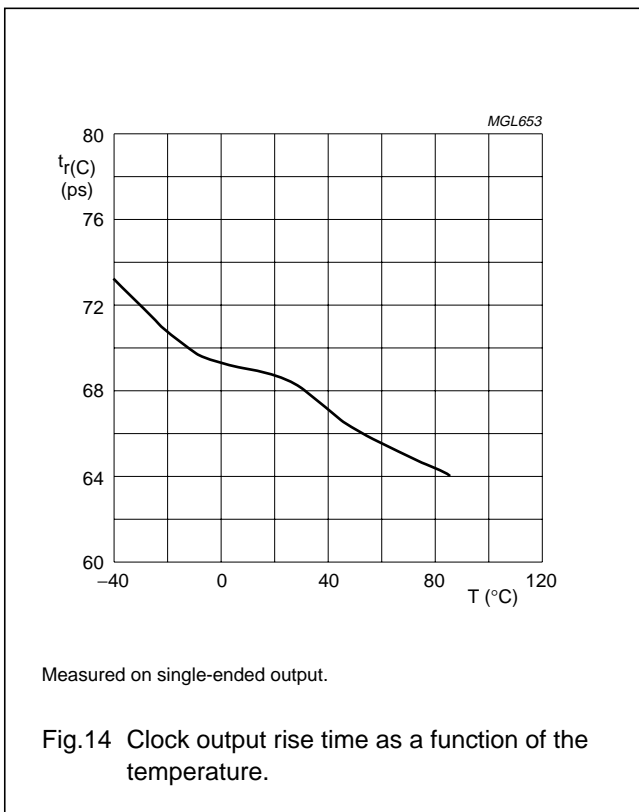
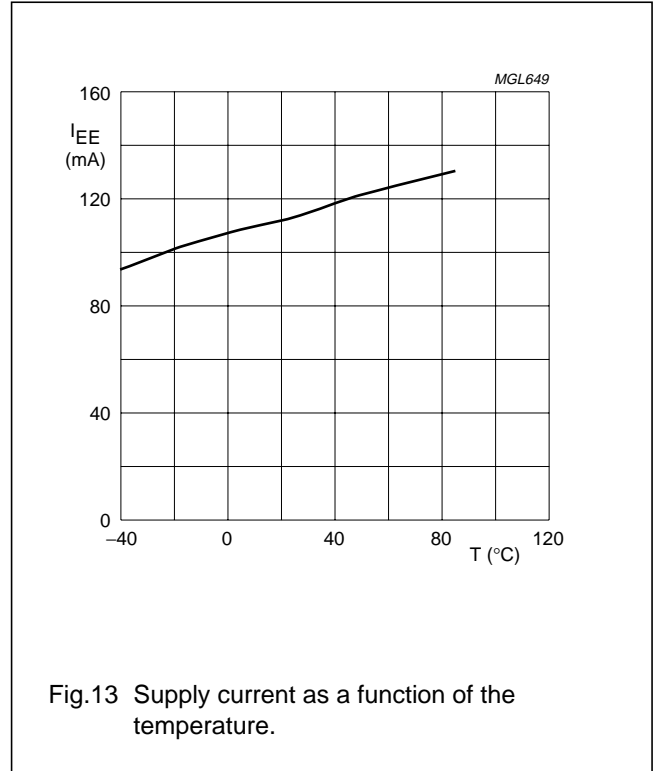
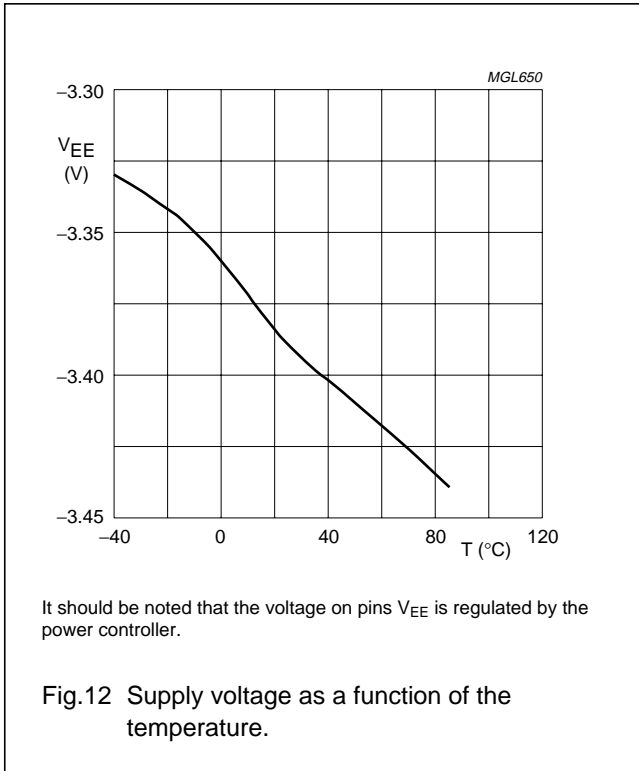


Fig.11 Data-to-clock delay for CML outputs: COUT to DOUT or CLOOP to DLOOP.

SDH/SONET data and clock recovery unit  
STM1/4/16 OC3/12/48 GE

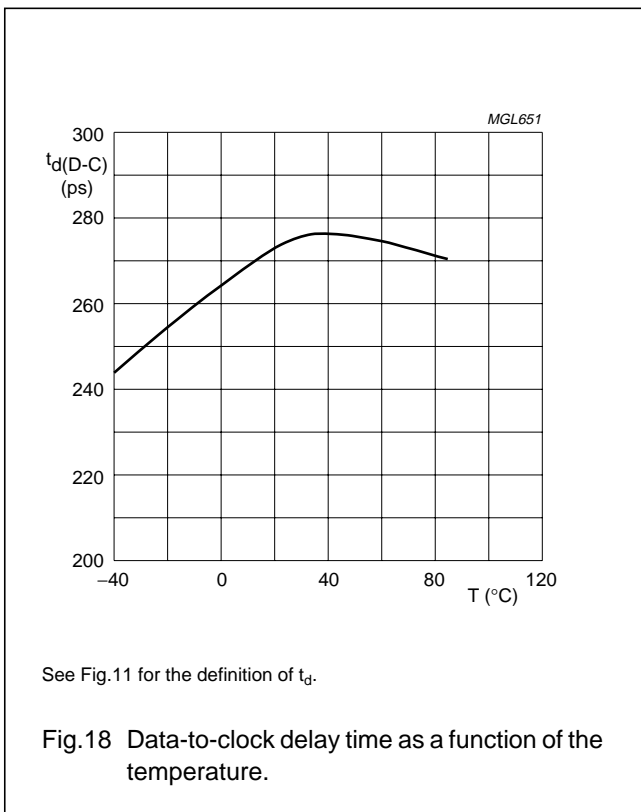
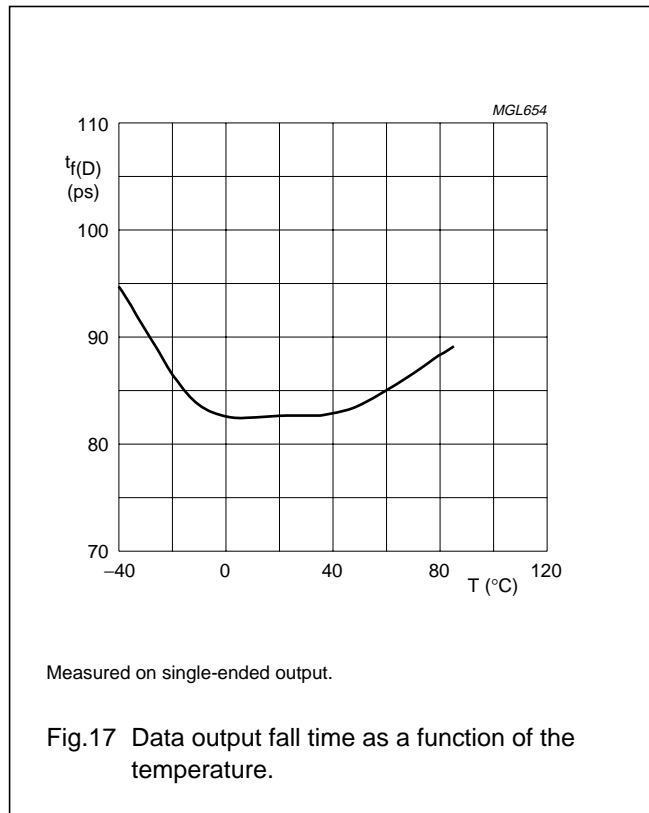
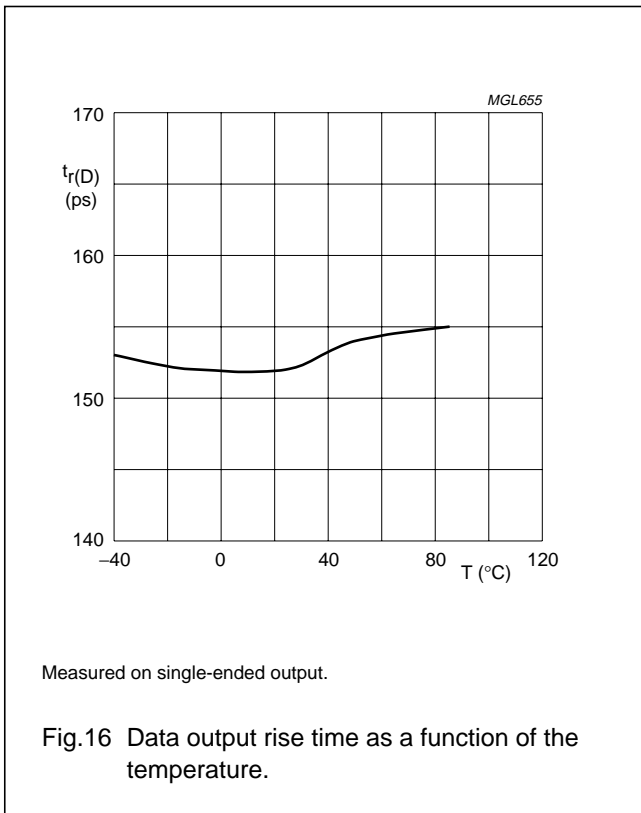
OQ2541HP; OQ2541U

TYPICAL PERFORMANCE CHARACTERISTICS



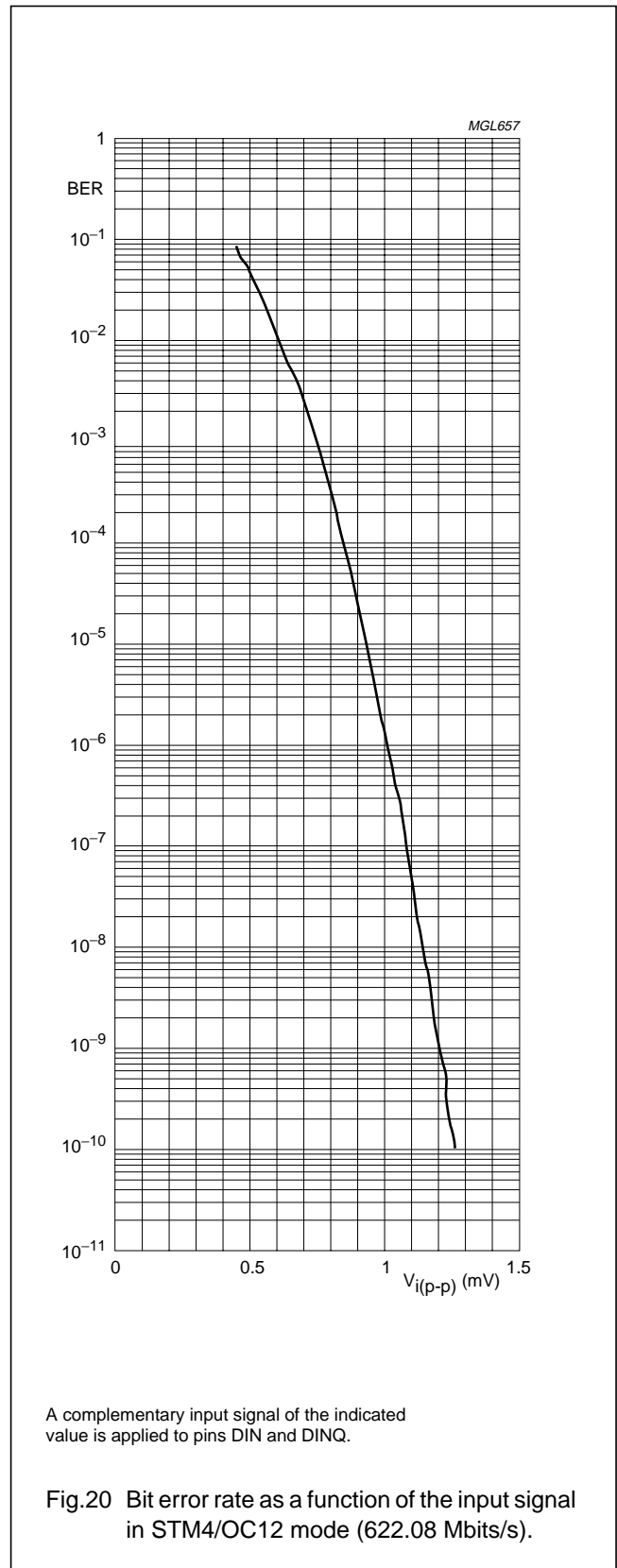
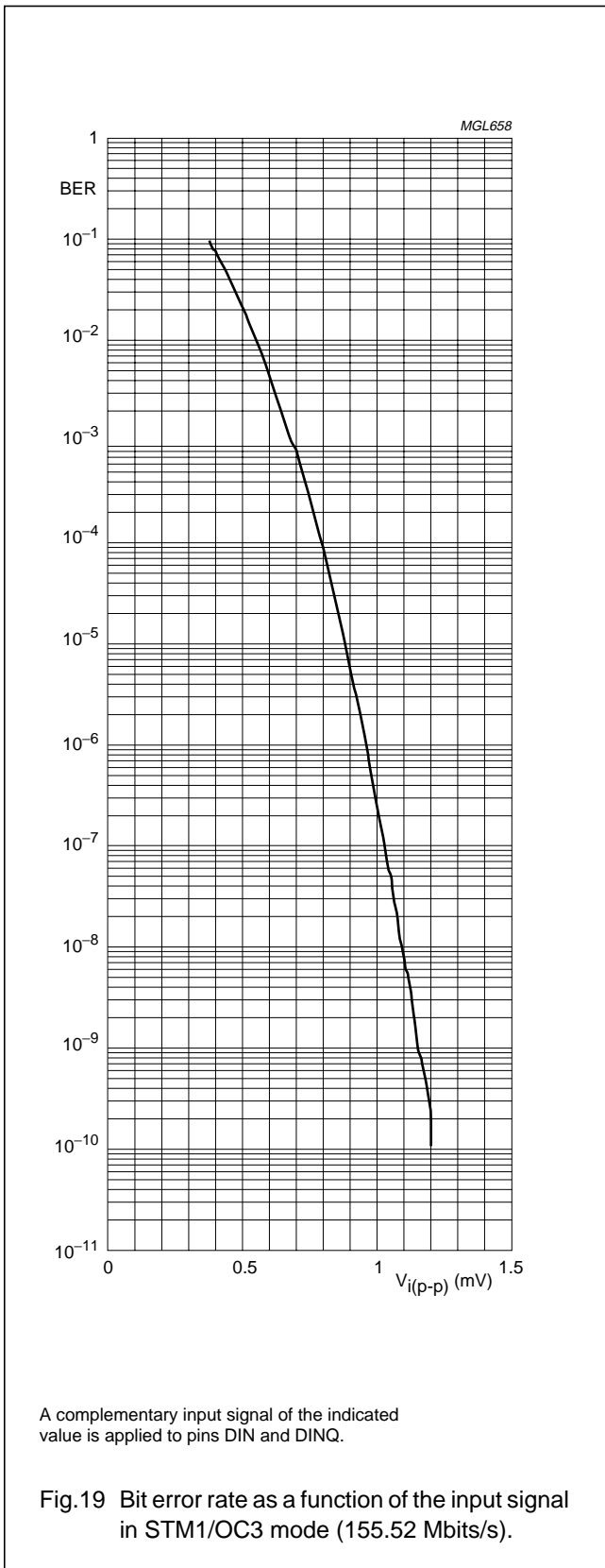
SDH/SONET data and clock recovery unit  
STM1/4/16 OC3/12/48 GE

OQ2541HP; OQ2541U



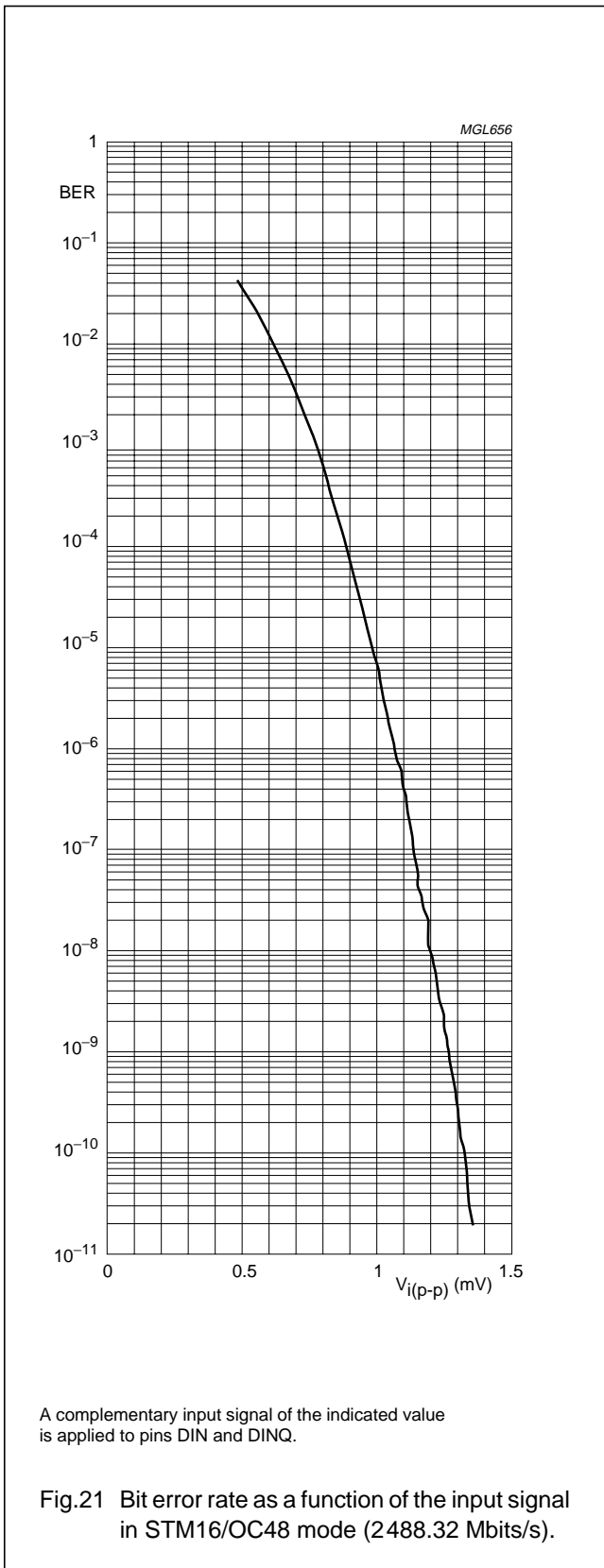
SDH/SONET data and clock recovery unit  
STM1/4/16 OC3/12/48 GE

OQ2541HP; OQ2541U



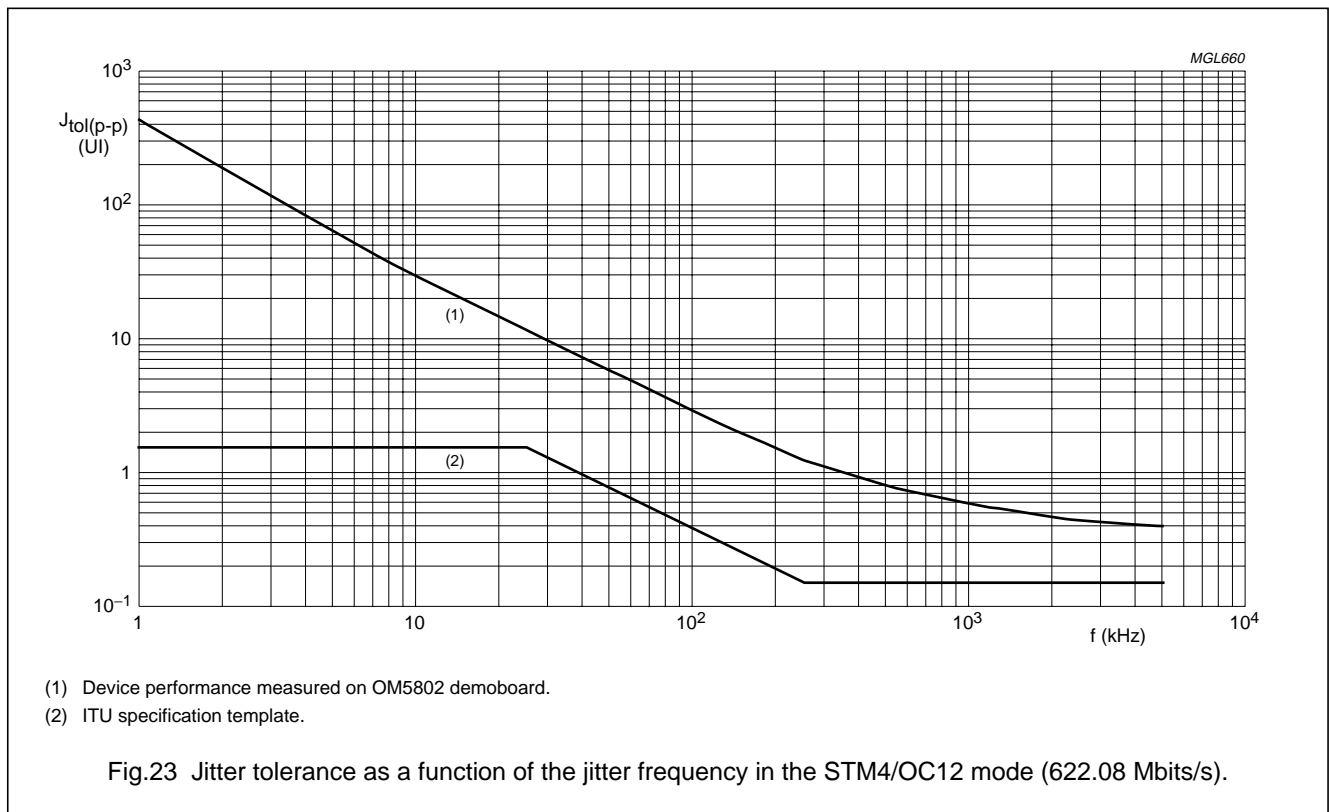
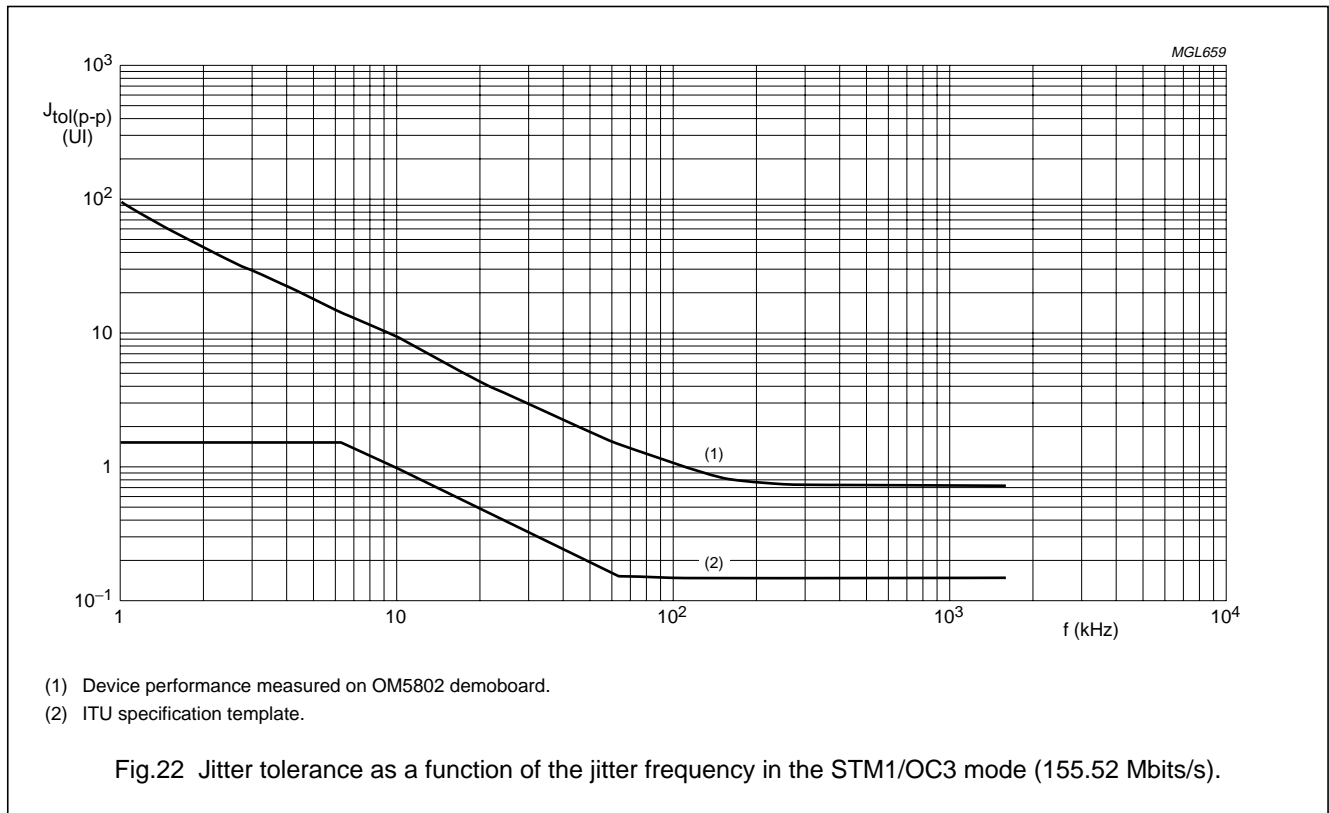
SDH/SONET data and clock recovery unit  
STM1/4/16 OC3/12/48 GE

OQ2541HP; OQ2541U



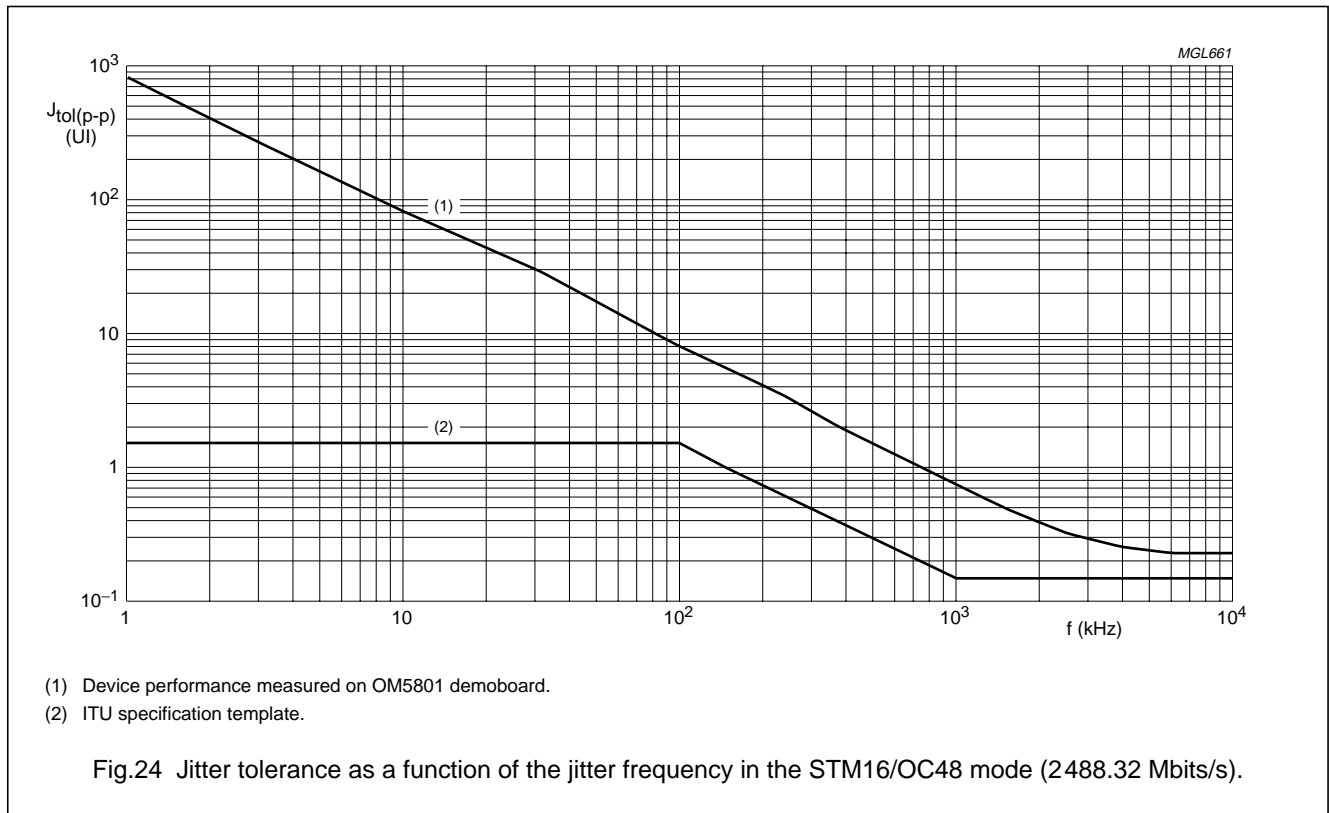
SDH/SONET data and clock recovery unit  
STM1/4/16 OC3/12/48 GE

OQ2541HP; OQ2541U



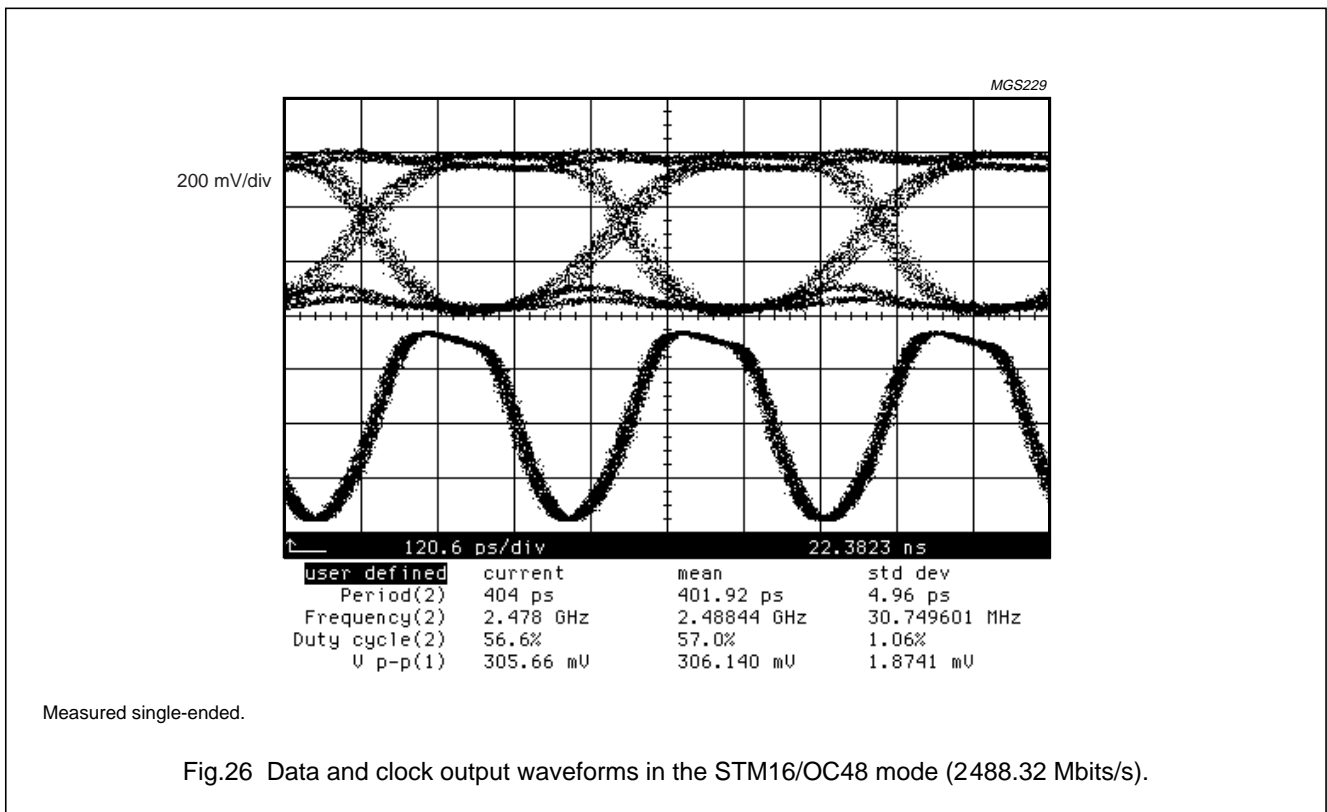
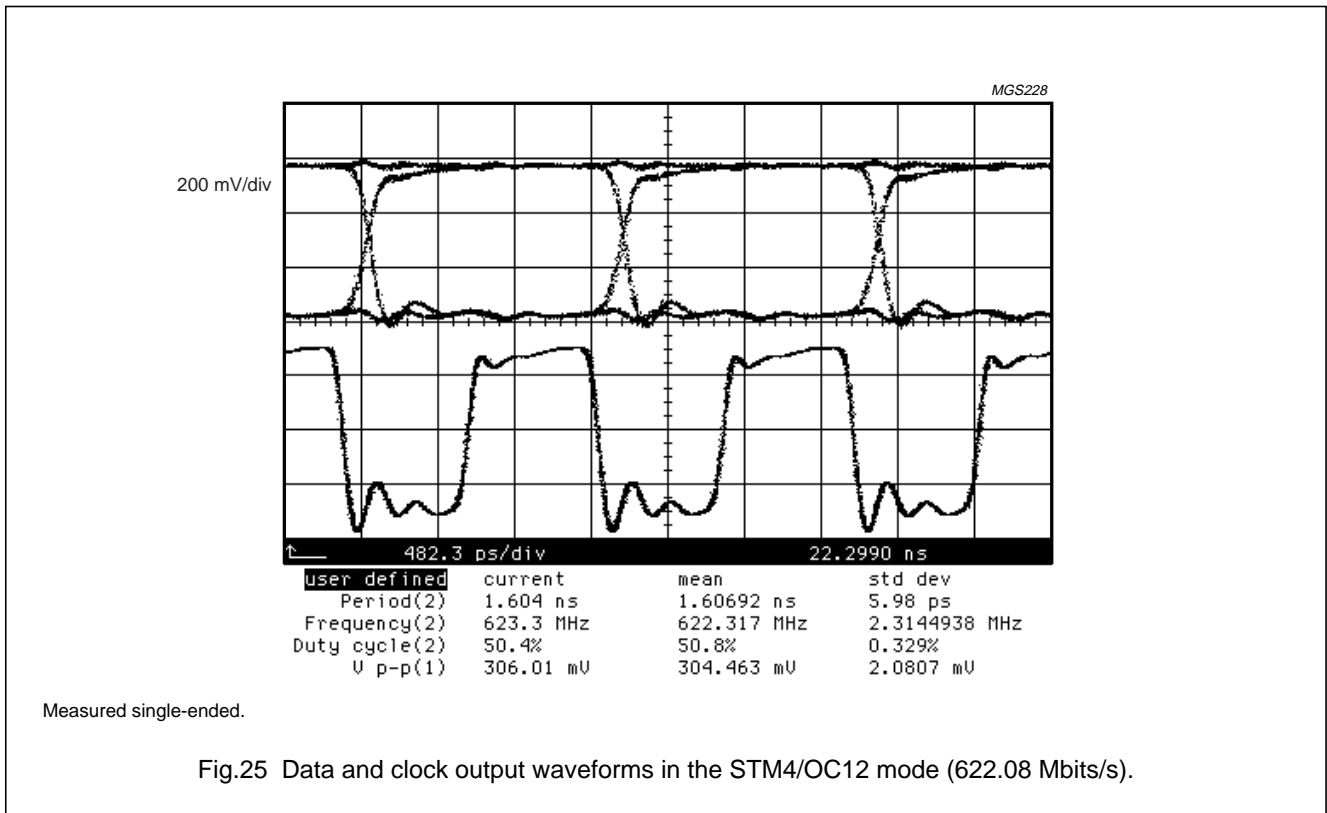
SDH/SONET data and clock recovery unit  
STM1/4/16 OC3/12/48 GE

OQ2541HP; OQ2541U



SDH/SONET data and clock recovery unit  
STM1/4/16 OC3/12/48 GE

OQ2541HP; OQ2541U

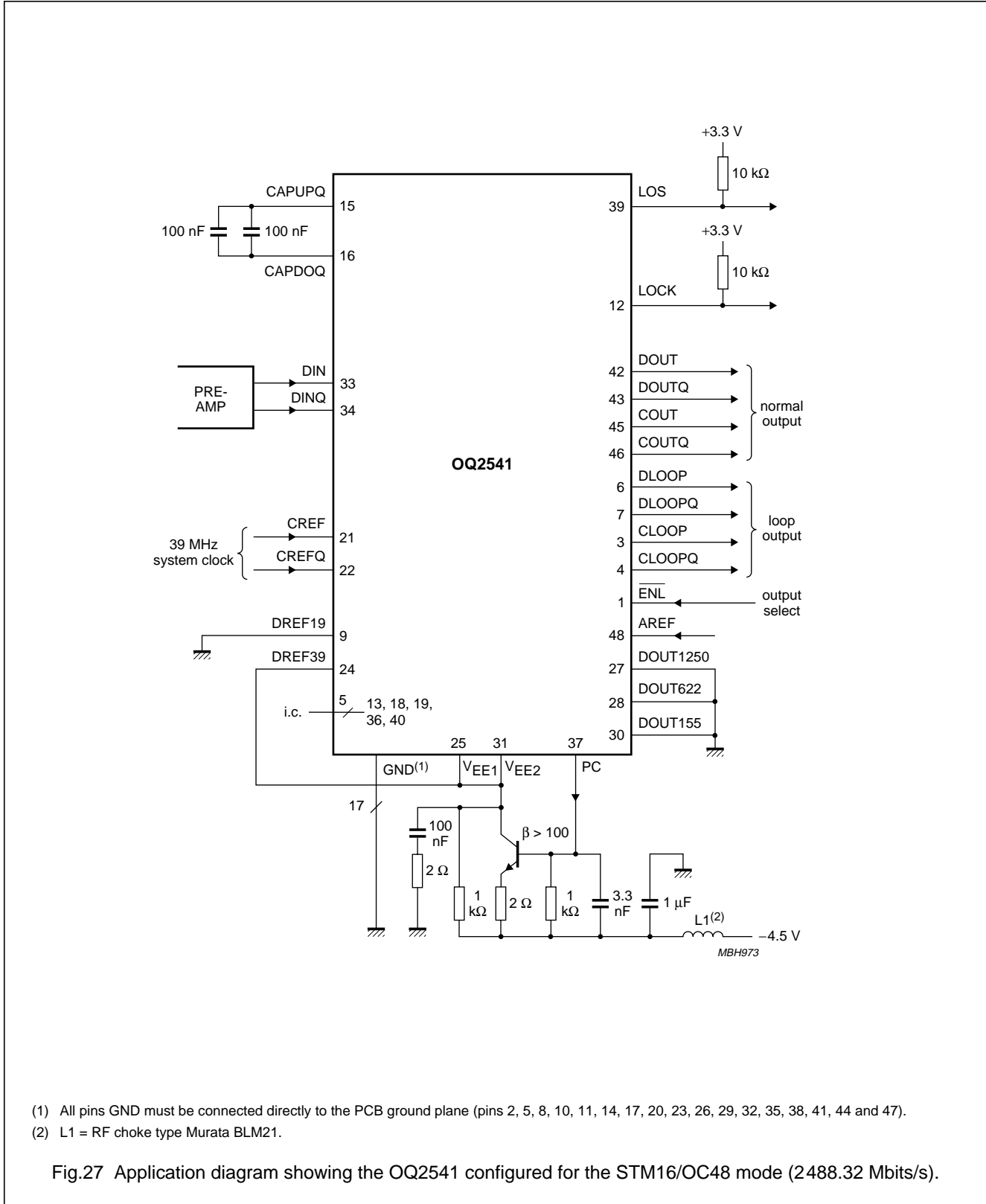




# SDH/SONET data and clock recovery unit STM1/4/16 OC3/12/48 GE

OQ2541HP; OQ2541U

## APPLICATION INFORMATION

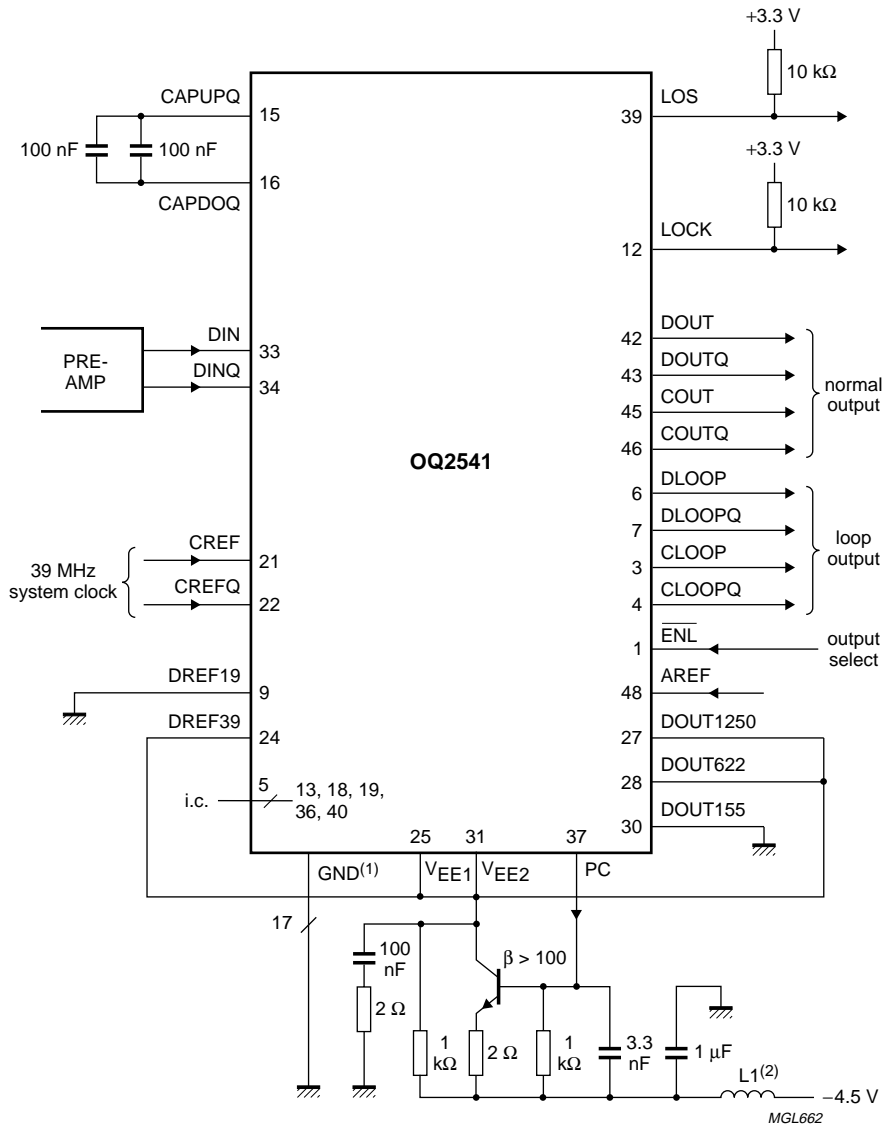


(1) All pins GND must be connected directly to the PCB ground plane (pins 2, 5, 8, 10, 11, 14, 17, 20, 23, 26, 29, 32, 35, 38, 41, 44 and 47).  
(2) L1 = RF choke type Murata BLM21.

Fig.27 Application diagram showing the OQ2541 configured for the STM16/OC48 mode (2488.32 Mbits/s).

SDH/SONET data and clock recovery unit  
STM1/4/16 OC3/12/48 GE

OQ2541HP; OQ2541U

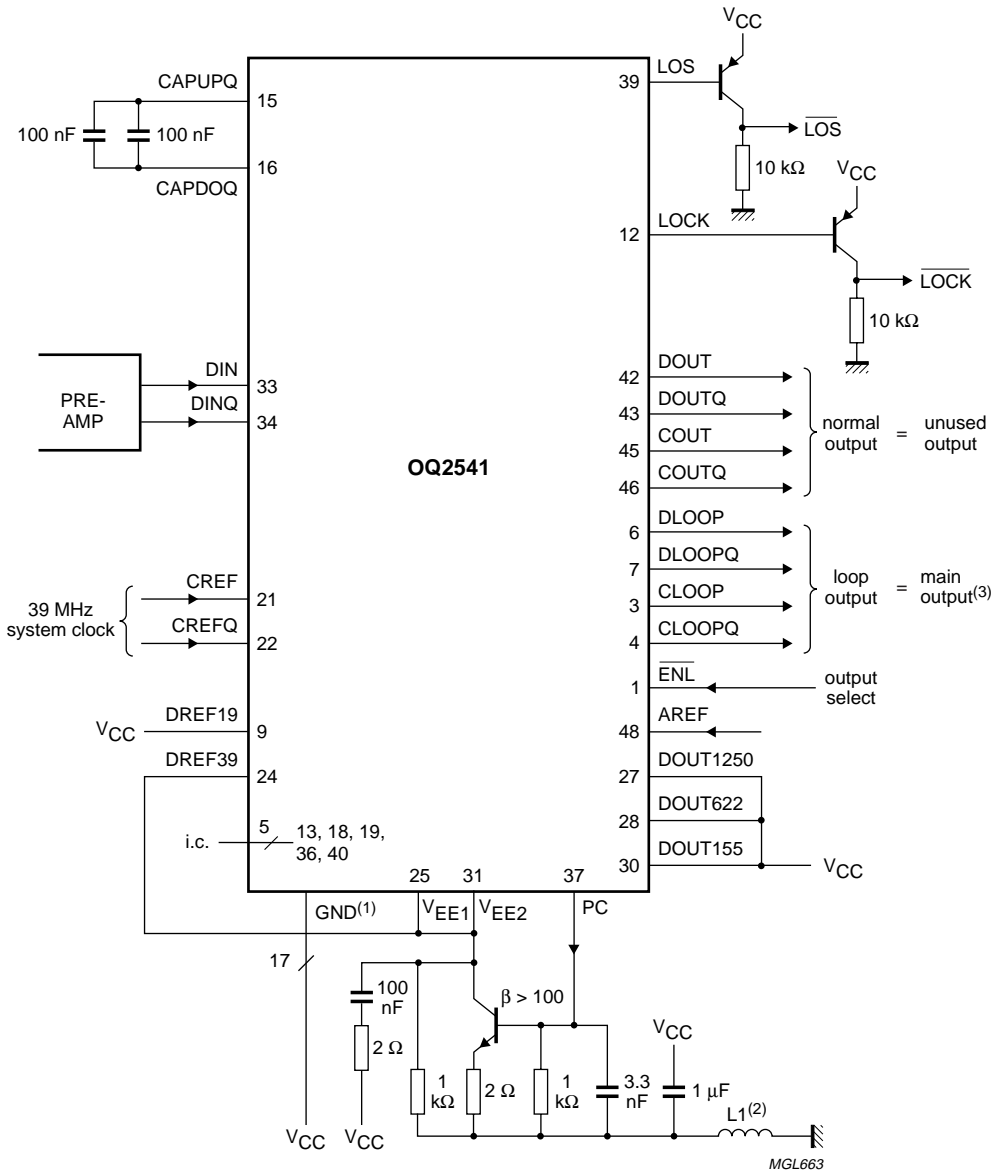


- (1) All pins GND must be connected directly to the PCB ground plane (pins 2,5, 8, 10, 11, 14, 17, 20, 23, 26, 29, 32, 35, 38, 41, 44 and 47).
- (2) L1 = RF choke type Murata BLM21.

Fig.28 Application diagram showing the OQ2541 configured for the STM4/OC12 mode (622.08 Mbits/s).

SDH/SONET data and clock recovery unit  
STM1/4/16 OC3/12/48 GE

OQ2541HP; OQ2541U



- (1) (1) All pins GND must be connected directly to V<sub>CC</sub> on the PCB plane of +5 V (pins 2, 5, 8, 10, 11, 14, 17, 20, 23, 26, 29, 32, 35, 38, 41, 44 and 47).
- (2) L1 = RF choke type Murata BLM21.
- (3) The loop mode outputs are used as main outputs:  
pin  $\overline{\text{ENL}}$  = HIGH-level selects loop mode outputs  
pin  $\overline{\text{ENL}}$  = LOW-level selects loop mode and normal mode outputs simultaneously.

Fig.29 Application diagram showing the OQ2541 configured for the STM16/OC48 mode (2488.32 Mbits/s) with a positive supply voltage application.

SDH/SONET data and clock recovery unit  
STM1/4/16 OC3/12/48 GE

OQ2541HP; OQ2541U

BONDING PADS

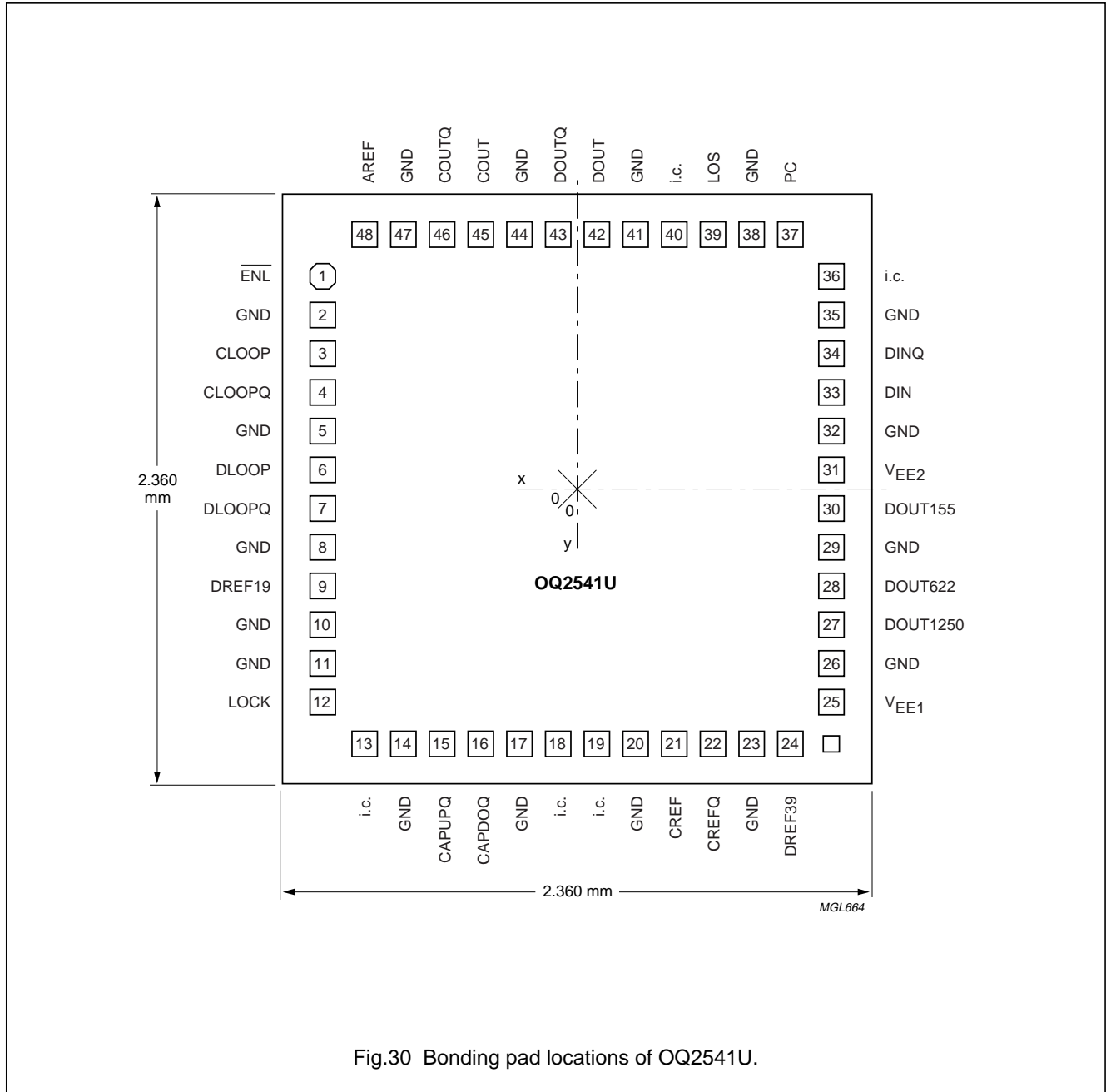


Fig.30 Bonding pad locations of OQ2541U.

# SDH/SONET data and clock recovery unit

## STM1/4/16 OC3/12/48 GE

OQ2541HP; OQ2541U

**Table 6** Bonding pad locations.

SYMBOL	PAD	COORDINATES <sup>(1)</sup>	
		x	y
ENL	1	-1017.5	+852.5
GND	2	-1017.5	+697.5
CLOOP	3	-1017.5	+542.5
CLOOPQ	4	-1017.5	+387.5
GND	5	-1017.5	+232.5
DLOOP	6	-1017.5	+77.5
DLOOPQ	7	-1017.5	-77.5
GND	8	-1017.5	-232.5
DREF19	9	-1017.5	-387.5
GND	10	-1017.5	-542.5
GND	11	-1017.5	-697.5
LOCK	12	-1017.5	-852.5
i.c.	13	-852.5	-1017.5
GND	14	-697.5	-1017.5
CAPUPQ	15	-542.5	-1017.5
CAPDOQ	16	-387.5	-1017.5
GND	17	-232.5	-1017.5
i.c.	18	-77.5	-1017.5
i.c.	19	+77.5	-1017.5
GND	20	+232.5	-1017.5
CREF	21	+387.5	-1017.5
CREFQ	22	+542.5	-1017.5
GND	23	+697.5	-1017.5
DREF39	24	+852.5	-1017.5
V <sub>EE1</sub>	25	+1017.5	-852.5
GND	26	+1017.5	-697.5
DOUT1250	27	+1017.5	-542.5
DOUT622	28	+1017.5	-387.5
GND	29	+1017.5	-232.5
DOUT155	30	+1017.5	-77.5
V <sub>EE2</sub>	31	+1017.5	+77.5
GND	32	+1017.5	+232.5
DIN	33	+1017.5	+387.5
DINQ	34	+1017.5	+542.5
GND	35	+1017.5	+697.5
i.c.	36	+1017.5	+852.5
PC	37	+852.5	+1017.5
GND	38	+697.5	+1017.5

SYMBOL	PAD	COORDINATES <sup>(1)</sup>	
		x	y
LOS	39	+542.5	+1017.5
i.c.	40	+387.5	+1017.5
GND	41	+232.5	+1017.5
DOUT	42	+77.5	+1017.5
DOUTQ	43	-77.5	+1017.5
GND	44	-232.5	+1017.5
COUT	45	-387.5	+1017.5
COUTQ	46	-542.5	+1017.5
GND	47	-697.5	+1017.5
AREF	48	-852.5	+1017.5

**Note**

1. All x and y coordinates represent the position of the centre of the pad in  $\mu\text{m}$  with respect to the centre of the die (see Fig.30).

---

SDH/SONET data and clock recovery unit  
STM1/4/16 OC3/12/48 GE

---

OQ2541HP; OQ2541U

**Table 7** Physical characteristics of bare die

NAME	DESCRIPTION
Glass passivation	0.8 $\mu\text{m}$ silicon nitride on top of 0.9 $\mu\text{m}$ PSG (PhosphoSilicate Glass)
Bonding pad dimension	minimum dimension of exposed metallization is $90 \times 90 \mu\text{m}$ (pad size = $100 \times 100 \mu\text{m}$ )
Metallization	1.8 $\mu\text{m}$ AlCu (1% Cu)
Thickness	380 $\mu\text{m}$ nominal
Size	$2.360 \times 2.360 \text{ mm}$ ( $5.5696 \text{ mm}^2$ )
Backing	silicon; electrically connected to $V_{EE}$ potential through substrate contacts
Attache temperature	<440 °C; recommended die attache is glue
Attache time	<15 s

**Thermal considerations**

To improve heat transfer away from the product, a large area fill is recommended as a die pad. The die should be mounted on this with a heat conductive glue. Bonding ALL supply and ground pads is essential for the electrical performance, but also improves heat transfer to the die pad or other copper area fills. The more copper is leading away from the die, the better the heat transport. On its turn, this copper should be able to loose its heat to the environment through radiation, natural convection (non forced airflow over the printed-circuit board) or forced cooling.

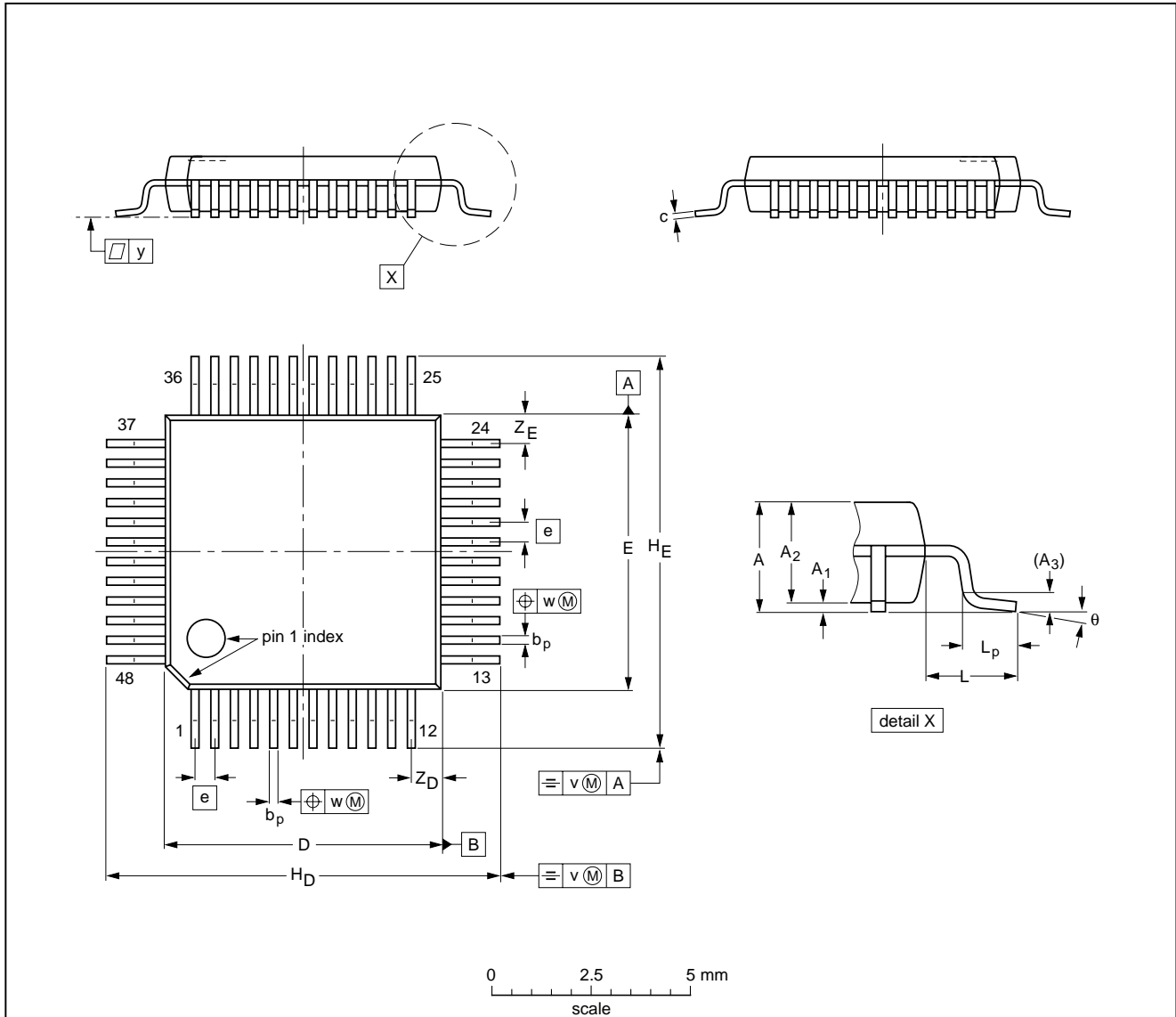
SDH/SONET data and clock recovery unit  
STM1/4/16 OC3/12/48 GE

OQ2541HP; OQ2541U

PACKAGE OUTLINE

LQFP48: plastic low profile quad flat package; 48 leads; body 7 x 7 x 1.4 mm

SOT313-2



DIMENSIONS (mm are the original dimensions)

UNIT	A max.	A <sub>1</sub>	A <sub>2</sub>	A <sub>3</sub>	b <sub>p</sub>	c	D <sup>(1)</sup>	E <sup>(1)</sup>	e	H <sub>D</sub>	H <sub>E</sub>	L	L <sub>p</sub>	v	w	y	Z <sub>D</sub> <sup>(1)</sup>	Z <sub>E</sub> <sup>(1)</sup>	θ
mm	1.60	0.20 0.05	1.45 1.35	0.25	0.27 0.17	0.18 0.12	7.1 6.9	7.1 6.9	0.5	9.15 8.85	9.15 8.85	1.0	0.75 0.45	0.2	0.12	0.1	0.95 0.55	0.95 0.55	7° 0°

Note

1. Plastic or metal protrusions of 0.25 mm maximum per side are not included.

OUTLINE VERSION	REFERENCES				EUROPEAN PROJECTION	ISSUE DATE
	IEC	JEDEC	EIAJ			
SOT313-2						94-12-19 97-08-01

## SDH/SONET data and clock recovery unit STM1/4/16 OC3/12/48 GE

OQ2541HP; OQ2541U

### SOLDERING

#### Introduction to soldering surface mount packages

This text gives a very brief insight to a complex technology. A more in-depth account of soldering ICs can be found in our *"Data Handbook IC26; Integrated Circuit Packages"* (document order number 9398 652 90011).

There is no soldering method that is ideal for all surface mount IC packages. Wave soldering is not always suitable for surface mount ICs, or for printed-circuit boards with high population densities. In these situations reflow soldering is often used.

#### Reflow soldering

Reflow soldering requires solder paste (a suspension of fine solder particles, flux and binding agent) to be applied to the printed-circuit board by screen printing, stencilling or pressure-syringe dispensing before package placement.

Several methods exist for reflowing; for example, infrared/convection heating in a conveyor type oven. Throughput times (preheating, soldering and cooling) vary between 100 and 200 seconds depending on heating method.

Typical reflow peak temperatures range from 215 to 250 °C. The top-surface temperature of the packages should preferably be kept below 230 °C.

#### Wave soldering

Conventional single wave soldering is not recommended for surface mount devices (SMDs) or printed-circuit boards with a high component density, as solder bridging and non-wetting can present major problems.

To overcome these problems the double-wave soldering method was specifically developed.

If wave soldering is used the following conditions must be observed for optimal results:

- Use a double-wave soldering method comprising a turbulent wave with high upward pressure followed by a smooth laminar wave.
- For packages with leads on two sides and a pitch (e):
  - larger than or equal to 1.27 mm, the footprint longitudinal axis is **preferred** to be parallel to the transport direction of the printed-circuit board;
  - smaller than 1.27 mm, the footprint longitudinal axis **must** be parallel to the transport direction of the printed-circuit board.

The footprint must incorporate solder thieves at the downstream end.

- For packages with leads on four sides, the footprint must be placed at a 45° angle to the transport direction of the printed-circuit board. The footprint must incorporate solder thieves downstream and at the side corners.

During placement and before soldering, the package must be fixed with a droplet of adhesive. The adhesive can be applied by screen printing, pin transfer or syringe dispensing. The package can be soldered after the adhesive is cured.

Typical dwell time is 4 seconds at 250 °C.

A mildly-activated flux will eliminate the need for removal of corrosive residues in most applications.

#### Manual soldering

Fix the component by first soldering two diagonally-opposite end leads. Use a low voltage (24 V or less) soldering iron applied to the flat part of the lead. Contact time must be limited to 10 seconds at up to 300 °C.

When using a dedicated tool, all other leads can be soldered in one operation within 2 to 5 seconds between 270 and 320 °C.



SDH/SONET data and clock recovery unit  
STM1/4/16 OC3/12/48 GE

OQ2541HP; OQ2541U

**Suitability of surface mount IC packages for wave and reflow soldering methods**

PACKAGE	SOLDERING METHOD	
	WAVE	REFLOW <sup>(1)</sup>
BGA, SQFP	not suitable	suitable
HLQFP, HSQFP, HSOP, HTSSOP, SMS	not suitable <sup>(2)</sup>	suitable
PLCC <sup>(3)</sup> , SO, SOJ	suitable	suitable
LQFP, QFP, TQFP	not recommended <sup>(3)(4)</sup>	suitable
SSOP, TSSOP, VSO	not recommended <sup>(5)</sup>	suitable

**Notes**

1. All surface mount (SMD) packages are moisture sensitive. Depending upon the moisture content, the maximum temperature (with respect to time) and body size of the package, there is a risk that internal or external package cracks may occur due to vaporization of the moisture in them (the so called popcorn effect). For details, refer to the Drypack information in the "Data Handbook IC26; Integrated Circuit Packages; Section: Packing Methods".
2. These packages are not suitable for wave soldering as a solder joint between the printed-circuit board and heatsink (at bottom version) can not be achieved, and as solder may stick to the heatsink (on top version).
3. If wave soldering is considered, then the package must be placed at a 45° angle to the solder wave direction. The package footprint must incorporate solder thieves downstream and at the side corners.
4. Wave soldering is only suitable for LQFP, TQFP and QFP packages with a pitch (e) equal to or larger than 0.8 mm; it is definitely not suitable for packages with a pitch (e) equal to or smaller than 0.65 mm.
5. Wave soldering is only suitable for SSOP and TSSOP packages with a pitch (e) equal to or larger than 0.65 mm; it is definitely not suitable for packages with a pitch (e) equal to or smaller than 0.5 mm.

## SDH/SONET data and clock recovery unit STM1/4/16 OC3/12/48 GE

OQ2541HP; OQ2541U

### DEFINITIONS

<b>Data sheet status</b>	
Objective specification	This data sheet contains target or goal specifications for product development.
Preliminary specification	This data sheet contains preliminary data; supplementary data may be published later.
Product specification	This data sheet contains final product specifications.
<b>Limiting values</b>	
Limiting values given are in accordance with the Absolute Maximum Rating System (IEC 134). Stress above one or more of the limiting values may cause permanent damage to the device. These are stress ratings only and operation of the device at these or at any other conditions above those given in the Characteristics sections of the specification is not implied. Exposure to limiting values for extended periods may affect device reliability.	
<b>Application information</b>	
Where application information is given, it is advisory and does not form part of the specification.	

### LIFE SUPPORT APPLICATIONS

These products are not designed for use in life support appliances, devices, or systems where malfunction of these products can reasonably be expected to result in personal injury. Philips customers using or selling these products for use in such applications do so at their own risk and agree to fully indemnify Philips for any damages resulting from such improper use or sale.

### BARE DIE DISCLAIMER

All die are tested and are guaranteed to comply with all data sheet limits up to the point of wafer sawing for a period of ninety (90) days from the date of Philips' delivery. If there are data sheet limits not guaranteed, these will be separately indicated in the data sheet. There is no post wafer pack testing performed on individual die. Although the most modern processes are utilized for wafer sawing and die pick and place into wafer pack carriers, Philips Semiconductors has no control of third party procedures in the handling, packing or assembly of the die. Accordingly, Philips Semiconductors assumes no liability for device functionality or performance of the die or systems after handling, packing or assembly of the die. It is the responsibility of the customer to test and qualify their application in which the die is used.

---

SDH/SONET data and clock recovery unit  
STM1/4/16 OC3/12/48 GE

---

OQ2541HP; OQ2541U

**NOTES**

# Philips Semiconductors – a worldwide company

**Argentina:** see South America

**Australia:** 34 Waterloo Road, NORTH RYDE, NSW 2113,  
Tel. +61 2 9805 4455, Fax. +61 2 9805 4466

**Austria:** Computerstr. 6, A-1101 WIEN, P.O. Box 213,  
Tel. +43 1 60 101 1248, Fax. +43 1 60 101 1210

**Belarus:** Hotel Minsk Business Center, Bld. 3, r. 1211, Volodarski Str. 6,  
220050 MINSK, Tel. +375 172 20 0733, Fax. +375 172 20 0773

**Belgium:** see The Netherlands

**Brazil:** see South America

**Bulgaria:** Philips Bulgaria Ltd., Energoproject, 15th floor,  
51 James Bourchier Blvd., 1407 SOFIA,  
Tel. +359 2 68 9211, Fax. +359 2 68 9102

**Canada:** PHILIPS SEMICONDUCTORS/COMPONENTS,  
Tel. +1 800 234 7381, Fax. +1 800 943 0087

**China/Hong Kong:** 501 Hong Kong Industrial Technology Centre,  
72 Tat Chee Avenue, Kowloon Tong, HONG KONG,  
Tel. +852 2319 7888, Fax. +852 2319 7700

**Colombia:** see South America

**Czech Republic:** see Austria

**Denmark:** Sydhavnsgade 23, 1780 COPENHAGEN V,  
Tel. +45 33 29 3333, Fax. +45 33 29 3905

**Finland:** Sinikalliontie 3, FIN-02630 ESPOO,  
Tel. +358 9 615 800, Fax. +358 9 6158 0920

**France:** 51 Rue Carnot, BP317, 92156 SURESNES Cedex,  
Tel. +33 1 4099 6161, Fax. +33 1 4099 6427

**Germany:** Hammerbrookstraße 69, D-20097 HAMBURG,  
Tel. +49 40 2353 60, Fax. +49 40 2353 6300

**Hungary:** see Austria

**India:** Philips INDIA Ltd, Band Box Building, 2nd floor,  
254-D, Dr. Annie Besant Road, Worli, MUMBAI 400 025,  
Tel. +91 22 493 8541, Fax. +91 22 493 0966

**Indonesia:** PT Philips Development Corporation, Semiconductors Division,  
Gedung Philips, Jl. Buncit Raya Kav.99-100, JAKARTA 12510,  
Tel. +62 21 794 0040 ext. 2501, Fax. +62 21 794 0080

**Ireland:** Newstead, Clonskeagh, DUBLIN 14,  
Tel. +353 1 7640 000, Fax. +353 1 7640 200

**Israel:** RAPAC Electronics, 7 Kehilat Saloniki St, PO Box 18053,  
TEL AVIV 61180, Tel. +972 3 645 0444, Fax. +972 3 649 1007

**Italy:** PHILIPS SEMICONDUCTORS, Piazza IV Novembre 3,  
20124 MILANO, Tel. +39 02 67 52 2531, Fax. +39 02 67 52 2557

**Japan:** Philips Bldg 13-37, Kohnan 2-chome, Minato-ku,  
TOKYO 108-8507, Tel. +81 3 3740 5130, Fax. +81 3 3740 5057

**Korea:** Philips House, 260-199 Itaewon-dong, Yongsan-ku, SEOUL,  
Tel. +82 2 709 1412, Fax. +82 2 709 1415

**Malaysia:** No. 76 Jalan Universiti, 46200 PETALING JAYA, SELANGOR,  
Tel. +60 3 750 5214, Fax. +60 3 757 4880

**Mexico:** 5900 Gateway East, Suite 200, EL PASO, TEXAS 79905,  
Tel. +9-5 800 234 7381, Fax +9-5 800 943 0087

**Middle East:** see Italy

**Netherlands:** Postbus 90050, 5600 PB EINDHOVEN, Bldg. VB,  
Tel. +31 40 27 82785, Fax. +31 40 27 88399

**New Zealand:** 2 Wagener Place, C.P.O. Box 1041, AUCKLAND,  
Tel. +64 9 849 4160, Fax. +64 9 849 7811

**Norway:** Box 1, Manglerud 0612, OSLO,  
Tel. +47 22 74 8000, Fax. +47 22 74 8341

**Pakistan:** see Singapore

**Philippines:** Philips Semiconductors Philippines Inc.,  
106 Valero St. Salcedo Village, P.O. Box 2108 MCC, MAKATI,  
Metro MANILA, Tel. +63 2 816 6380, Fax. +63 2 817 3474

**Poland:** Ul. Lukiska 10, PL 04-123 WARSZAWA,  
Tel. +48 22 612 2831, Fax. +48 22 612 2327

**Portugal:** see Spain

**Romania:** see Italy

**Russia:** Philips Russia, Ul. Usatcheva 35A, 119048 MOSCOW,  
Tel. +7 095 755 6918, Fax. +7 095 755 6919

**Singapore:** Lorong 1, Toa Payoh, SINGAPORE 319762,  
Tel. +65 350 2538, Fax. +65 251 6500

**Slovakia:** see Austria

**Slovenia:** see Italy

**South Africa:** S.A. PHILIPS Pty Ltd., 195-215 Main Road Martindale,  
2092 JOHANNESBURG, P.O. Box 58088 Newville 2114,  
Tel. +27 11 471 5401, Fax. +27 11 471 5398

**South America:** Al. Vicente Pinzon, 173, 6th floor,  
04547-130 SÃO PAULO, SP, Brazil,  
Tel. +55 11 821 2333, Fax. +55 11 821 2382

**Spain:** Balmes 22, 08007 BARCELONA,  
Tel. +34 93 301 6312, Fax. +34 93 301 4107

**Sweden:** Kottbygatan 7, Akalla, S-16485 STOCKHOLM,  
Tel. +46 8 5985 2000, Fax. +46 8 5985 2745

**Switzerland:** Allmendstrasse 140, CH-08027 ZÜRICH,  
Tel. +41 1 488 2741 Fax. +41 1 488 3263

**Taiwan:** Philips Semiconductors, 6F, No. 96, Chien Kuo N. Rd., Sec. 1,  
TAIPEI, Taiwan Tel. +886 2 2134 2886, Fax. +886 2 2134 2874

**Thailand:** PHILIPS ELECTRONICS (THAILAND) Ltd.,  
209/2 Sanpavuth-Bangna Road Prakanong, BANGKOK 10260,  
Tel. +66 2 745 4090, Fax. +66 2 398 0793

**Turkey:** Yukari Dudullu, Org. San. Blg., 2.Cad. Nr. 28 81260 Umraniye,  
ISTANBUL, Tel. +90 216 522 1500, Fax. +90 216 522 1813

**Ukraine:** PHILIPS UKRAINE, 4 Patrice Lumumba str., Building B, Floor 7,  
252042 KIEV, Tel. +380 44 264 2776, Fax. +380 44 268 0461

**United Kingdom:** Philips Semiconductors Ltd., 276 Bath Road, Hayes,  
MIDDLESEX UB3 5BX, Tel. +44 181 730 5000, Fax. +44 181 754 8421

**United States:** 811 East Arques Avenue, SUNNYVALE, CA 94088-3409,  
Tel. +1 800 234 7381, Fax. +1 800 943 0087

**Uruguay:** see South America

**Vietnam:** see Singapore

**Yugoslavia:** PHILIPS, Trg N. Pasica 5/v, 11000 BEOGRAD,  
Tel. +381 11 62 5344, Fax. +381 11 63 5777

**For all other countries apply to:** Philips Semiconductors,  
International Marketing & Sales Communications, Building BE-p, P.O. Box 218,  
5600 MD EINDHOVEN, The Netherlands, Fax. +31 40 27 24825

**Internet:** <http://www.semiconductors.philips.com>

© Philips Electronics N.V. 1999

SCA 65

All rights are reserved. Reproduction in whole or in part is prohibited without the prior written consent of the copyright owner.

The information presented in this document does not form part of any quotation or contract, is believed to be accurate and reliable and may be changed without notice. No liability will be accepted by the publisher for any consequence of its use. Publication thereof does not convey nor imply any license under patent- or other industrial or intellectual property rights.

Printed in The Netherlands

465012/150/03/pp36

Date of release: 1999 May 27

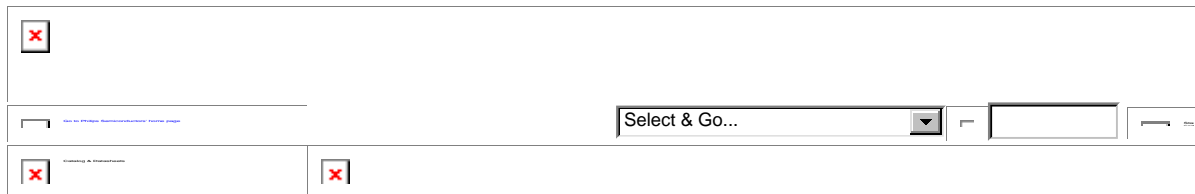
Document order number: 9397 750 05019

*Let's make things better.*

**Philips**  
Semiconductors



**PHILIPS**



Information as of 2000-08-29

## Catalog by Function

- Discrete semiconductors
- Audio
- Clocks and Watches
- Data communications
- Microcontrollers
- Peripherals
- Standard analog
- Video
- Wired communications
- Wireless communications

## Catalog by System

- Automotive
- Consumer Multimedia Systems
- Communications
- PC/PC-peripherals

## Cross reference

## Models

## Packages

## Application notes

## Selection guides

## Other technical documentation

## End of Life information

## Datahandbook system

## Relevant Links

- About catalog tree
- About search
- About this site
- Subscribe to eNews
- Catalog & Datasheets
- Search
- [QQ2541HP; QQ2541U](#)
- [QQ2541HP; QQ2541U](#)

## QQ2541HP; QQ2541U; SDH/SONET data and clock recovery unit STM1/4/16 OC3/12/48 GE

- [Description](#)
- [Features](#)
- [Applications](#)
- [Datasheet](#)
- [Products, packages, availability and ordering](#)
- [Find similar products](#)

### Description

The QQ2541 is a data and clock recovery IC intended for use in Synchronous Digital Hierarchy (SDH) and Synchronous Optical Network (SONET) systems. The circuit recovers data and extracts the clock signal from an incoming bitstream up to 2.5 Gbits/s. It can be configured for use in STM1/OC3, STM4/OC12, STM16/OC48 and Gigabit Ethernet systems.

### Features

- Data and clock recovery up to 2.5 Gbits/s
- Multirate configurable (155, 622, 1250 or 2500 Mbits/s)
- Differential data input with 2.5 mV (p-p) typical sensitivity
- Differential Current-Mode Logic (CML) data and clock outputs with 50  $\Omega$  driving capability
- Adjustable CML output level
- Loop mode for system testing
- Bit error rate related loss of signal detection
- Few external components needed
- Single supply voltage
- Power dissipation 350 mW (typical value)
- LQFP48 plastic package.



To be kept informed on QQ2541HP; QQ2541U, subscribe to eNews.

**Applications** 

- Data and clock recovery in STM1/OC3, STM4/OC12 and STM16/OC48 transmission systems
- Data and clock recovery in Gigabit Ethernet (GE) transmission systems.

**Datasheet** 

<u>Type nr.</u>	<u>Title</u>	<u>Publication release date</u>	<u>Datasheet status</u>	<u>Page count</u>	<u>File size (kB)</u>	<u>Datasheet</u>
OQ2541HP; OQ2541U	SDH/SONET data and clock recovery unit STM1/4/16 OC3/12/48 GE	27-May-99	Product Specification	36	172	<input type="checkbox"/> <a href="#">Download</a>

**Products, packages, availability and ordering** 

<u>Partnumber</u>	<u>North American Partnumber</u>	<u>Order code (12nc)</u>	<u>marking/packing</u>	<u>package</u>	<u>device status</u>	<u>buy online</u>
OQ2541HP/C3	OQ2541HPB-S	9351 980 40551	Standard Marking * Tray Dry Pack, Bakeable, Single	<a href="#">SOT313</a>	Full production	<input type="checkbox"/>

Please read [information about some discontinued variants of this product](#).

**Find similar products:** 

[OQ2541HP; OQ2541U](#) links to the similar products page containing an overview of products that are similar in function or related to the part number(s) as listed on this page. The similar products page includes products from the same catalog tree(s) , relevant selection guides and products from the same functional category.