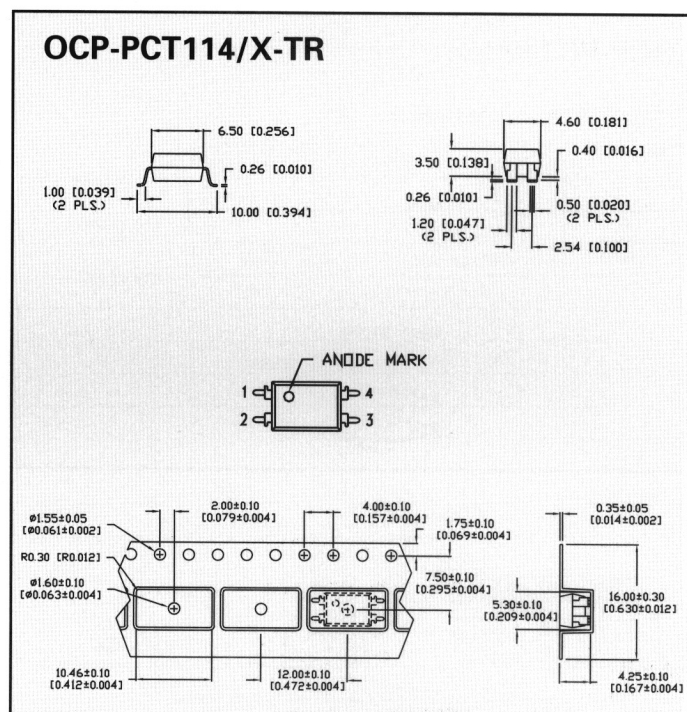
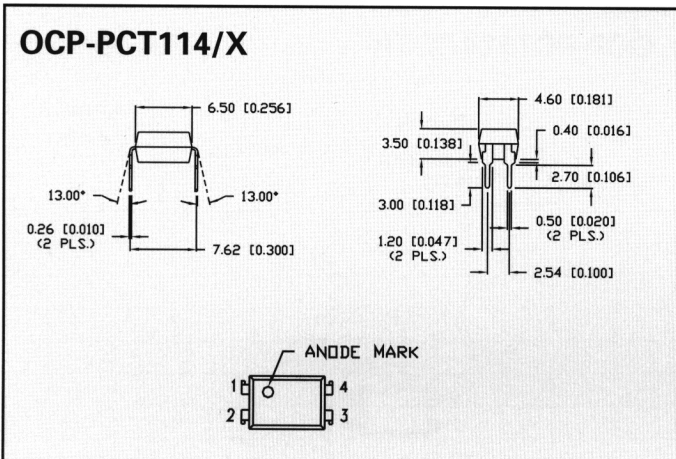
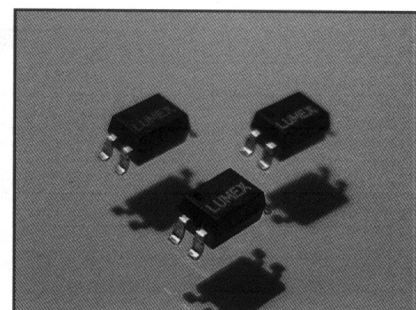
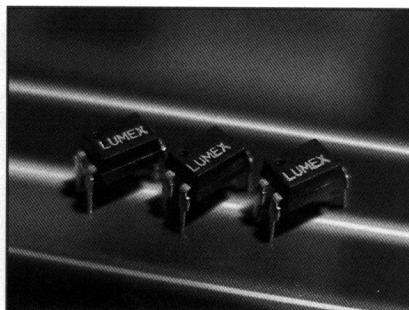


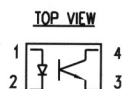
## OCP-PCT114 Package

### Applications

- Monitors
- SMPS
- Cordless Phones
- Modems
- Battery Charger
- DC-DC Converter
- Keyboards
- Appliance Controls
- Power Supplies
- Sound Cards
- Caller ID
- PBX/Mini Exchange
- Telecom
- TV, VCR, Video



PART NUMBER TABLE	
PART= /X	CTR (%)
/A	60 TO 160
/B	130 TO 260
/C	200 TO 400
/D	300 TO 600
/E	60 TO 600



- NOTES:
1. ANODE
  2. CATHODE
  3. EMITTER
  4. COLLECTOR

ELECTRO-OPTICAL CHARACTERISTICS (To=25°C)						
PARAMETER	SYMBOL	CONDITIONS	MIN	TYP	MAX	UNITS
I FORWARD VOLTAGE	V <sub>f</sub>	I <sub>f</sub> = 20mA	-	1.2	1.4	V
PEAK FORWARD VOLTAGE	V <sub>FM</sub>	I <sub>f</sub> = 0.5A	-	-	3.5	V
REVERSE CURRENT	I <sub>R</sub>	V <sub>R</sub> = 4V	-	-	10	μA
TERMINAL CAPACITANCE	C <sub>i</sub>	V = 0, f = 1kHz	-	30	-	pF
O COLLECTOR DARK CURRENT	I <sub>CEO</sub>	V <sub>CE</sub> = 20V	-	-	10 <sup>-7</sup>	A
T CURRENT TRANSFER RATIO	CRT	I <sub>f</sub> = 2mA, V <sub>CE</sub> = 5V	60	-	600	%
COLLECTOR-EMITTER SATURATION VOLTAGE	V <sub>CE(sat)</sub>	I <sub>f</sub> = 20mA, I <sub>c</sub> = 1mA	-	0.1	0.3	V
ISOLATION RESISTANCE	R <sub>iso</sub>	DC500V	5x10 <sup>10</sup>	10 <sup>11</sup>	-	ohm
FLOATING CAPACITANCE	C <sub>f</sub>	V = 0, f = 1MHz	-	0.6	1.0	pF
CUT-OFF FREQUENCY	f <sub>c</sub>	V <sub>CE</sub> = 5V, I <sub>c</sub> = 2mA, R <sub>L</sub> = 100ohm	-	80	-	kHz
RESPONSE TIME (RISE)	t <sub>r</sub>	V <sub>CE</sub> = 5V, I <sub>c</sub> = 2mA, R <sub>L</sub> = 100ohm	-	5	20	μS
RESPONSE TIME (FALL)	t <sub>f</sub>	V <sub>CE</sub> = 5V, I <sub>c</sub> = 2mA, R <sub>L</sub> = 100ohm	-	4	20	μS

I=INPUT, O=OUTPUT, T=TRANSFER CHARACTERISTICS.

ABSOLUTE MAXIMUM RATINGS (To=25°C)				
PARAMETER	SYMBOL	MAX	UNITS	
I FORWARD CURRENT	I <sub>f</sub>	50	mA	
PEAK FORWARD CURRENT	I <sub>FM</sub>	1	A	
REVERSE VOLTAGE	V <sub>R</sub>	6	V	
POWER DISSIPATION	P <sub>D</sub>	70	mW	
O COLLECTOR-EMITTER VOLTAGE	V <sub>CEO</sub>	60	V	
EMITTER-COLLECTOR VOLTAGE	V <sub>ECO</sub>	6	V	
COLLECTOR CURRENT	I <sub>c</sub>	50	mA	
COLLECTOR POWER DISSIPATION	P <sub>c</sub>	150	mW	
TOTAL POWER DISSIPATION	P <sub>tot</sub>	200	mW	
ISOLATION VOLTAGE 1 MIN.	V <sub>iso</sub>	5000	VRMS	
OPERATING TEMPERATURE	T <sub>opr</sub>	-30 TO +100	°C	
STORAGE TEMPERATURE	T <sub>stg</sub>	-55 TO +125	°C	
SOLDERING TEMPERATURE	T <sub>sol</sub>	+260	°C	
2.0mm FROM BODY			10 SEC. MAX	

I=INPUT, O=OUTPUT.

**CAUTION: STATIC SENSITIVE DEVICE**  
 FOLLOW PROPER E.S.D. HANDLING PROCEDURES  
 WHEN WORKING WITH THIS PART.

UL Listed Under FPQU2

1-800-278-5666

[www.optolinks.com](http://www.optolinks.com)

1-800-944-2790