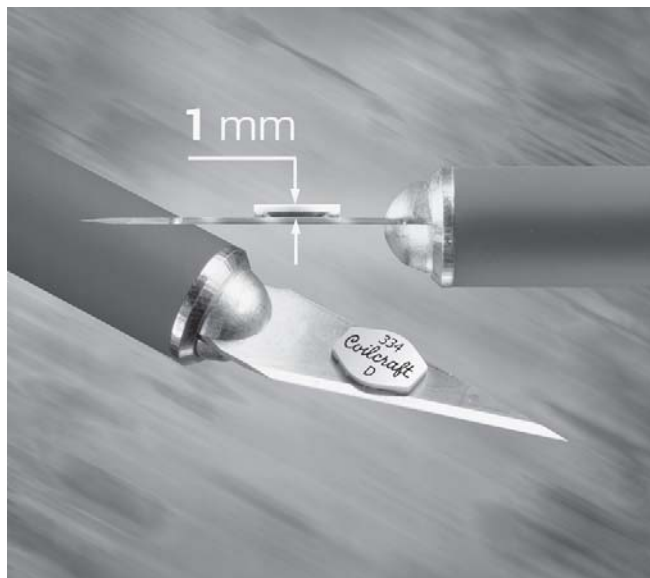




SMT Power Inductors - LPO6610 Series



This series has been specially designed for applications requiring a very small footprint and the lowest possible height: notebook computers, PDAs, PC Cards, mobile phones and other handheld products.



Despite their low profile (1 mm) these inductors offer excellent current handling – up to 2.1 A. They are available in 16 inductance values from 1.2 to 330 μ H.

Coilcraft **Designer's Kit C367** contains samples of all values shown. To order, contact Coilcraft or purchase on-line at <http://order.coilcraft.com>.

SPICE models ON OUR WEB SITE OR CD

Part number ¹	L ² $\pm 20\%$ (μ H)	DCR max (Ohms)	SRF typ (MHz)	Isat ³ (A)	Irms ⁴ (A)
LPO6610-122ML_	1.2	0.08	190	2.1	1.7
LPO6610-152ML_	1.5	0.10	140	1.9	1.5
LPO6610-222ML_	2.2	0.12	115	1.6	1.4
LPO6610-332ML_	3.3	0.16	90	1.3	1.2
LPO6610-472ML_	4.7	0.20	88	1.1	1.1
LPO6610-682ML_	6.8	0.32	66	0.90	0.85
LPO6610-103ML_	10	0.41	55	0.80	0.75
LPO6610-153ML_	15	0.55	42	0.65	0.60
LPO6610-223ML_	22	0.85	38	0.50	0.52
LPO6610-333ML_	33	1.3	29	0.40	0.42
LPO6610-473ML_	47	1.8	22	0.35	0.36
LPO6610-683ML_	68	2.5	18	0.30	0.30
LPO6610-104ML_	100	3.5	14	0.25	0.26
LPO6610-154ML_	150	5.0	12	0.18	0.21
LPO6610-224ML_	220	7.0	10	0.16	0.18
LPO6610-334ML_	330	15.0	8	0.13	0.13

1. When ordering, please specify **termination** and **packaging** codes:

LPO6610-334MLC

Termination: L = RoHS compliant silver-palladium-platinum-glass frit.
Special order: T = RoHS tin-silver-copper (95.5/4/0.5) or
 S = non-RoHS tin-lead (63/37).

Packaging: C = 7" machine-ready reel. EIA-481 embossed plastic tape (1000 parts per full reel).

B = Less than full reel. In tape, but not machine ready.
 To have a leader and trailer added (\$25 charge), use code letter C instead.

2. Inductance tested at 100 kHz, 0.1 Vrms, 0 Adc.
 3. DC current at which the inductance drops 10% (typ) from its value without current.
 4. Current that causes a 40°C temperature rise from 25°C ambient.
 5. **Ambient temperature range:** -40°C to +85°C with I rms current
 +85°C to +125°C with derated current
 6. **Storage temperature range:** Component: -55°C to +85°C
 Packaging: -55°C to +80°C
 7. **Resistance to soldering heat:** Three reflows at >217°C for 90 seconds
 (+260°C $\pm 5^\circ$ C for 20 – 40 seconds), allowing parts to cool to room
 temperature between.
 8. Electrical specifications at 25°C.
 See Qualification Standards section for environmental and test data.
 Refer to Doc 362 "Soldering Surface Mount Components" before soldering.

Coilcraft[®]

Specifications subject to change without notice.
 Please check our website for latest information.

Document 333-1 Revised 04/24/07

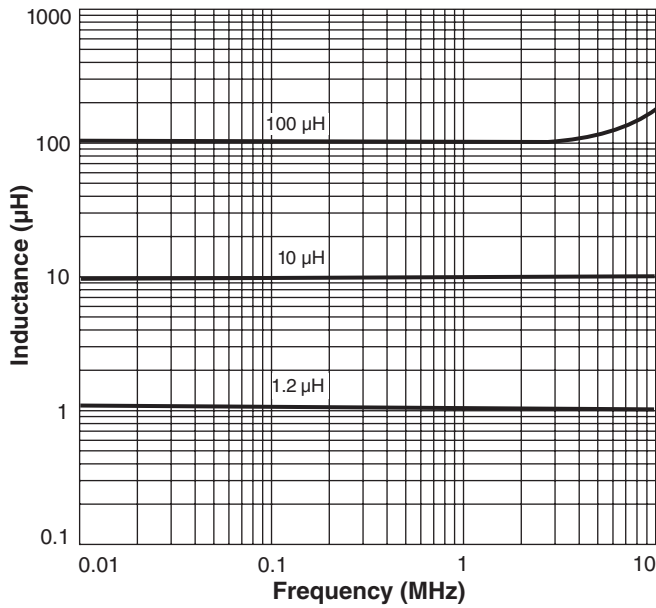
1102 Silver Lake Road Cary, Illinois 60013 Phone 847/639-6400 Fax 847/639-1469

E-mail info@coilcraft.com Web <http://www.coilcraft.com>

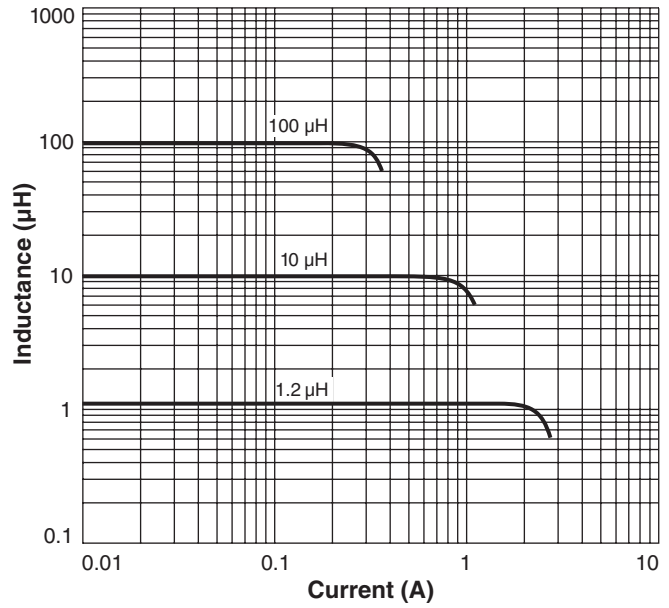


SMT Power Inductors - LPO6610 Series

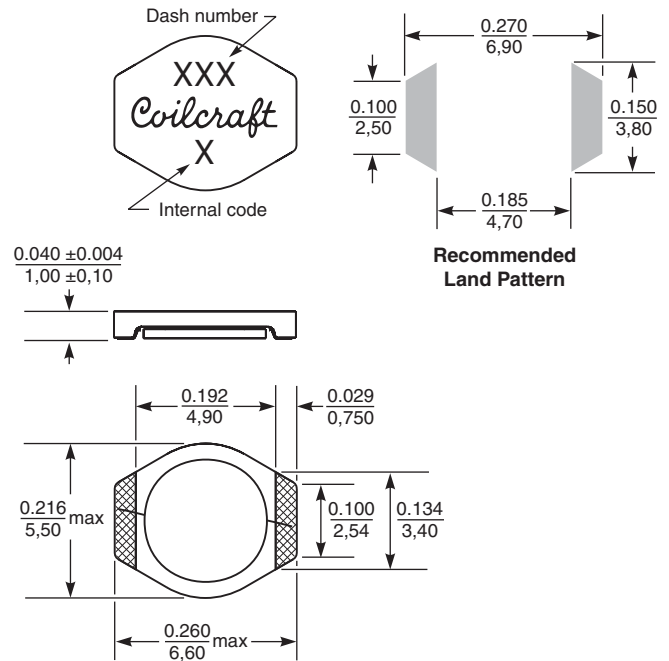
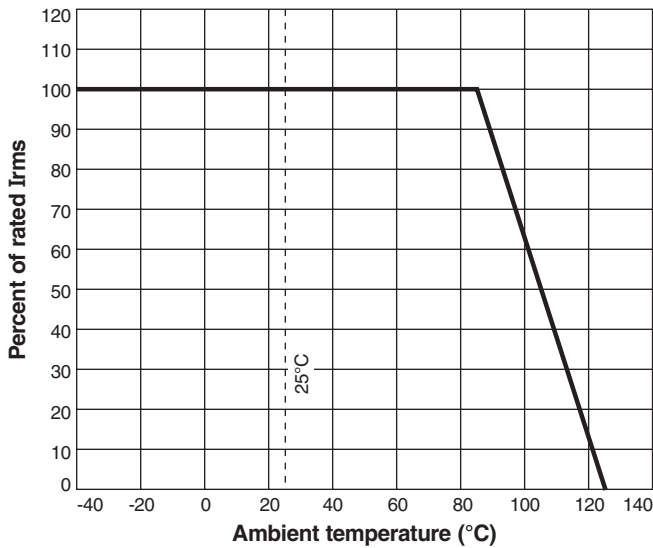
Typical L vs Frequency



Typical L vs Current



Irms Derating



Terminations: Silver-palladium-platinum-glass frit
Weight: 91.0 – 95.0 mg
Tape and reel: 1000/7" reel 12 mm tape width
 For packaging data see Tape and Reel Specifications section.



Specifications subject to change without notice.
 Please check our website for latest information.

Document 333-2 Revised 04/24/07

1102 Silver Lake Road Cary, Illinois 60013 Phone 847/639-6400 Fax 847/639-1469

E-mail info@coilcraft.com Web <http://www.coilcraft.com>