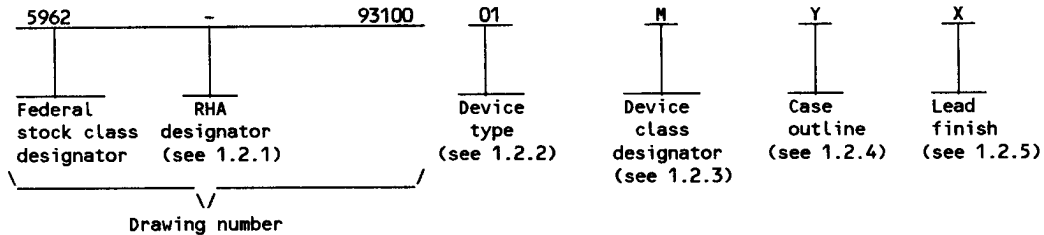




1. SCOPE

1.1 Scope. This drawing forms a part of a one part - one part number documentation system (see 6.6 herein). Two product assurance classes consisting of military high reliability (device classes B, Q, and M) and space application (device classes S and V), and a choice of case outlines and lead finishes are available and are reflected in the Part or Identifying Number (PIN). Device class M microcircuits represent non-JAN class B microcircuits in accordance with 1.2.1 of MIL-STD-883, "Provisions for the use of MIL-STD-883 in conjunction with compliant non-JAN devices". When available, a choice of Radiation Hardness Assurance (RHA) Levels are reflected in the PIN.

1.2 PIN. The PIN shall be as shown in the following example:



1.2.1 RHA designator. Device classes M, B, and S RHA marked devices shall meet the MIL-M-38510 specified RHA levels and shall be marked with the appropriate RHA designator. Device classes Q and V RHA marked devices shall meet the MIL-I-38535 specified RHA levels and shall be marked with the appropriate RHA designator. A dash (-) indicates a non-RHA device.

1.2.2 Device type(s). The device type(s) shall identify the circuit function as follows:

<u>Device type</u>	<u>Generic number</u>	<u>Circuit function</u>
01	10E504	Quint 2-input AND/NAND gate
02	100E504	Quint 2-input AND/NAND gate, temperature compensated

1.2.3 Device class designator. The device class designator shall be a single letter identifying the product assurance level as follows:

<u>Device class</u>	<u>Device requirements documentation</u>
M	Vendor self-certification to the requirements for non-JAN class B microcircuits in accordance with 1.2.1 of MIL-STD-883
B or S	Certification and qualification to MIL-M-38510
Q or V	Certification and qualification to MIL-I-38535

1.2.4 Case outline(s). The case outline(s) shall be as designated in MIL-STD-1835 and as follows:

<u>Outline letter</u>	<u>Descriptive designator</u>	<u>Terminals</u>	<u>Package style</u>
Y	See figure 1	28	Quad flat pack

1.2.5 Lead finish. The lead finish shall be as specified in MIL-M-38510 for classes M, B, and S or MIL-I-38535 for classes Q and V. Finish letter "X" shall not be marked on the microcircuit or its packaging. The "X" designation is for use in specifications when lead finishes A, B, and C are considered acceptable and interchangeable without preference.

<b>STANDARDIZED MILITARY DRAWING DEFENSE ELECTRONICS SUPPLY CENTER DAYTON, OHIO 45444</b>	<b>SIZE A</b>		<b>5962-93100</b>
		<b>REVISION LEVEL</b>	<b>SHEET 2</b>

1.3 Absolute maximum ratings. 1/

Supply voltage range ( $V_{EE}$ ) 2/	-----	-8.0 V dc to 0.0 V dc
Input voltage range ( $V_{IN}$ ) 2/	-----	-6.0 V dc to 0.0 V dc
Minimum input swing ( $V_{PP}$ )	-----	0.150 V dc
Output current ( $I_{OUT}$ ):		
Continuous	-----	50 mA
Surge	-----	100 mA
Storage temperature range	-----	-65°C to +165°C
Lead temperature (soldering, 10 seconds)	-----	+300°C
Junction temperature ( $T_J$ )	-----	+165°C
Maximum power dissipation ( $P_D$ ):		
Device type 01	-----	251 mW
Device type 02	-----	290 mW
Thermal resistance, junction-to-case ( $\Theta_{JC}$ )	-----	1.23°C/W

1.4 Recommended operating conditions.

Supply voltage range ( $V_{EE}$ ): 2/		
Device type 01	-----	-5.46 V dc to -4.94 V dc
Device type 02	-----	-5.46 V dc to -4.20 V dc
Input voltage range ( $V_{IN}$ ): 2/		
Device type 01	-----	-1.950 V dc to -0.660 V dc
Device type 02	-----	-1.810 V dc to -0.880 V dc
Output voltage range ( $V_{OUT}$ ): 2/		
Device type 01	-----	-1.972 V dc to -0.672 V dc
Device type 02	-----	-1.810 V dc to -0.880 V dc
Input rise and fall times, 20% to 80% ( $t_r, t_f$ )	-----	500 ps maximum
Case operating temperature range ( $T_c$ )	-----	-55°C to +125°C

1.5 Digital logic testing for device classes Q and V.

Fault coverage measurement of manufacturing logic tests (MIL-STD-883, test method 5012) ----- 3/ percent

2. APPLICABLE DOCUMENTS

2.1 Government specifications, standards, bulletin, and handbook. Unless otherwise specified, the following specifications, standards, bulletin, and handbook of the issue listed in that issue of the Department of Defense Index of Specifications and Standards specified in the solicitation, form a part of this drawing to the extent specified herein.

SPECIFICATIONS

MILITARY

- MIL-M-38510 - Microcircuits, General Specification for.
- MIL-I-38535 - Integrated Circuits, Manufacturing, General Specification for.

STANDARDS

MILITARY

- MIL-STD-480 - Configuration Control-Engineering Changes, Deviations and Waivers.
- MIL-STD-883 - Test Methods and Procedures for Microelectronics.
- MIL-STD-1835 - Microcircuit Case Outlines.

1/ Stresses above the absolute maximum rating may cause permanent damage to the device. Extended operation at the maximum levels may degrade performance and affect reliability.  
 2/ Ratings apply when referenced to  $V_{CC} = 0.0$  V dc.  
 3/ Values will be added when they become available.

<b>STANDARDIZED          MILITARY DRAWING          DEFENSE ELECTRONICS SUPPLY CENTER          DAYTON, OHIO 45444</b>	<b>SIZE          A</b>		<b>5962-93100</b>
		<b>REVISION LEVEL</b>	<b>SHEET          3</b>

BULLETIN

MILITARY

MIL-BUL-103 - List of Standardized Military Drawings (SMD's).

HANDBOOK

MILITARY

MIL-HDBK-780 - Standardized Military Drawings.

(Copies of the specifications, standards, bulletin, and handbook required by manufacturers in connection with specific acquisition functions should be obtained from the contracting activity or as directed by the contracting activity.)

2.2 Order of precedence. In the event of a conflict between the text of this drawing and the references cited herein, the text of this drawing shall take precedence.

3. REQUIREMENTS

3.1 Item requirements. The individual item requirements for device class M shall be in accordance with 1.2.1 of MIL-STD-883, "Provisions for the use of MIL-STD-883 in conjunction with compliant non-JAN devices" and as specified herein. The individual item requirements for device classes B and S shall be in accordance with MIL-M-38510 and as specified herein. For device classes B and S, a full electrical characterization table for each device type shall be included in this SMD. The individual item requirements for device classes Q and V shall be in accordance with MIL-I-38535, the device manufacturer's Quality Management (QM) plan, and as specified herein.

3.2 Design, construction, and physical dimensions. The design, construction, and physical dimensions shall be as specified in MIL-M-38510 for device classes M, B, and S and MIL-I-38535 for device classes Q and V and herein.

3.2.1 Case outline(s). The case outline(s) shall be in accordance with 1.2.4 herein and figure 1.

3.2.2 Terminal connections. The terminal connections shall be as specified on figure 2.

3.2.3 Truth table. The truth table shall be as specified on figure 3.

3.2.4 Logic diagram. The logic diagram shall be as specified on figure 4.

3.2.5 Test circuit and switching waveforms. The test circuit and switching waveforms shall be as specified on figure 5.

3.2.6 Radiation exposure circuit. The radiation exposure circuit shall be as specified when available.

3.2.7 Inner-layer dielectric. Polyimide and silicon coatings are allowed as part of the wafer fabrication process provided that each microcircuit inspection lot (see MIL-M-38510, "Inspection lot - class B") shall be subjected to and pass the internal water vapor content test in accordance with group D6 of test method 5005 of MIL-STD-883. The frequency of the internal water vapor testing may not be decreased unless approved by the preparing activity.

3.3 Electrical performance characteristics and postirradiation parameter limits. Unless otherwise specified herein, the electrical performance characteristics and postirradiation parameter limits are as specified in table I and shall apply over the full case operating temperature range.

3.4 Electrical test requirements. The electrical test requirements shall be the subgroups specified in table II. The electrical tests for each subgroup are defined in table I.

3.5 Marking. The part shall be marked with the PIN listed in 1.2 herein. Marking for device class M shall be in accordance with MIL-STD-883 (see 3.1 herein). In addition, the manufacturer's PIN may also be marked as listed in MIL-BUL-103. Marking for device classes B and S shall be in accordance with MIL-M-38510. Marking for device classes Q and V shall be in accordance with MIL-I-38535.

3.5.1 Certification/compliance mark. The compliance mark for device class M shall be a "C" as required in MIL-STD-883 (see 3.1 herein). The certification mark for device classes B and S shall be a "J" or "JAN" as required in MIL-M-38510. The certification mark for device classes Q and V shall be a "QML" as required in MIL-I-38535.

<b>STANDARDIZED MILITARY DRAWING DEFENSE ELECTRONICS SUPPLY CENTER DAYTON, OHIO 45444</b>	<b>SIZE A</b>		<b>5962-93100</b>
		<b>REVISION LEVEL</b>	<b>SHEET 4</b>

DESC FORM 193A  
JUL 91

TABLE I. Electrical performance characteristics.

Test	Symbol	Conditions -55°C ≤ T <sub>C</sub> ≤ +125°C unless otherwise specified	Group A subgroups	Device type	Limits 1/		Unit	
					Min	Max		
High level input voltage	V <sub>IH</sub>	-5.46 V ≤ V <sub>EE</sub> ≤ -4.94 V for type 01 -5.46 V ≤ V <sub>EE</sub> ≤ -4.20 V for type 02	1 2 3	01	-1.130 -1.020 -1.258	-0.810 -0.660 -0.906	V	
Low level input voltage	V <sub>IL</sub>		1, 2, 3	02	-1.165	-0.880	V	
			1, 3 2	01	-1.950 -1.950	-1.480 -1.421		
High level output voltage	V <sub>OH</sub>		V <sub>CC</sub> = V <sub>CCO</sub> = GND V <sub>IN</sub> = V <sub>IH</sub> maximum, V <sub>IL</sub> minimum Outputs terminated through 50Ω to -2.0 V.	1 2 3	01	-0.980 -0.862 -1.097	-0.810 -0.672 -0.906	V
		1, 2 3		02	-1.025 -1.097	-0.880 -0.880		
Low level output voltage	V <sub>OL</sub>	1 2 3		01	-1.950 -1.934 -1.972	-1.630 -1.579 -1.652	V	
		1, 2 3		02	-1.810 -1.810	-1.620 -1.600		
High level threshold output voltage	V <sub>OHT</sub>	V <sub>CC</sub> = V <sub>CCO</sub> = GND V <sub>IN</sub> = V <sub>IH</sub> minimum, V <sub>IL</sub> maximum Outputs terminated through 50Ω to -2.0 V.		1 2 3	01	-0.980 -0.862 -1.097	-0.810 -0.672 -0.906	V
				1, 2 3	02	-1.025 -1.097	-0.880 -0.880	
Low level threshold output voltage	V <sub>OLT</sub>		1 2 3	01	-1.950 -1.934 -1.972	-1.630 -1.579 -1.652	V	
			1, 2 3	02	-1.810 -1.810	-1.620 -1.600		
Power supply drain current	I <sub>EE</sub>	V <sub>CC</sub> = V <sub>CCO</sub> = GND, V <sub>EE</sub> = -5.46 V V <sub>IN</sub> = V <sub>IH</sub> maximum Outputs terminated through 50Ω to -2.0 V.	1, 2, 3	01		-46	mA	
			1, 3 2	02		-46 -53		
High level input current	I <sub>IH</sub>	V <sub>CC</sub> = V <sub>CCO</sub> = GND V <sub>EE</sub> = -4.94 V for type 01 = -4.20 V for type 02 V <sub>IN</sub> = V <sub>IH</sub> maximum, V <sub>IL</sub> minimum Outputs terminated through 50Ω to -2.0 V.	1, 2, 3	ALL	10	200	μA	
Low level input current	I <sub>IL</sub>	V <sub>CC</sub> = V <sub>CCO</sub> = GND, V <sub>EE</sub> = -5.46 V V <sub>IN</sub> = V <sub>IH</sub> maximum, V <sub>IL</sub> minimum Outputs terminated through 50Ω to -2.0 V.	1, 2, 3	ALL	0.5		μA	

See footnote at end of table.

STANDARDIZED  
MILITARY DRAWING  
DEFENSE ELECTRONICS SUPPLY CENTER  
DAYTON, OHIO 45444

SIZE  
A

5962-93100

REVISION LEVEL

SHEET  
5

TABLE I. Electrical performance characteristics - Continued.

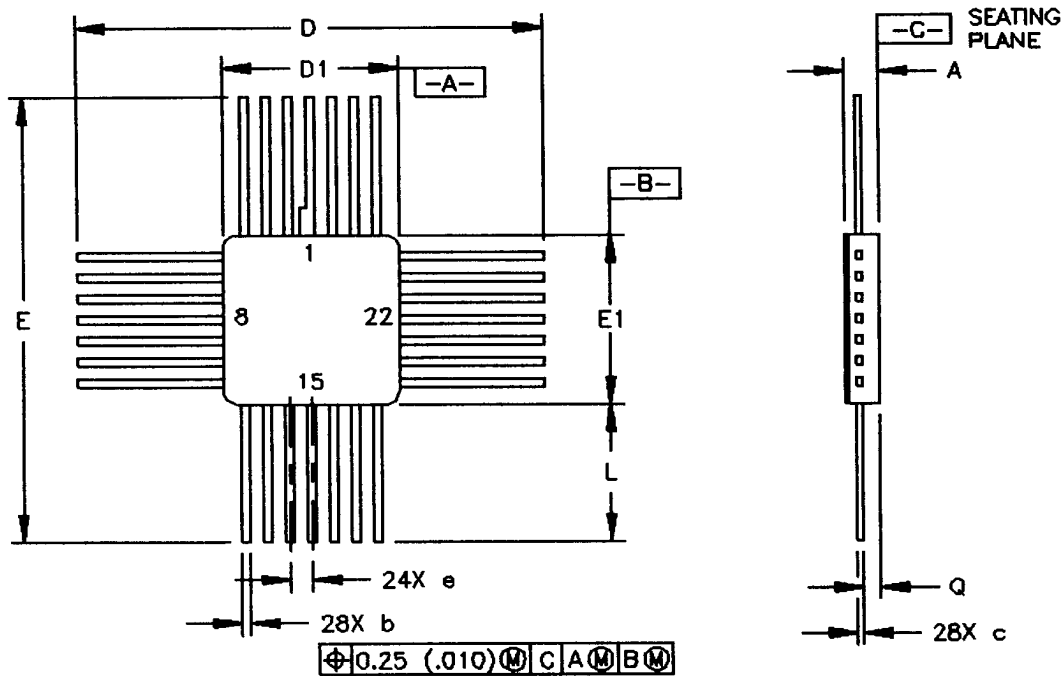
Test	Symbol	Conditions -55°C ≤ T <sub>c</sub> ≤ +125°C unless otherwise specified	Group A subgroups	Device type	Limits <sup>1/</sup>		Unit
					Min	Max	
Functional test		See 4.4.1b, V <sub>CC</sub> = V <sub>CC0</sub> = GND V <sub>EE</sub> = -4.94 V, -5.46 V for type 01 = -4.20 V, -5.46 V for type 02	7, 8	ALL			
Propagation delay time, Dna-b to Qn or Qn (single ended)	t <sub>PLH1</sub> , t <sub>PHL1</sub>	See figure 5	9	01	245	605	ps
			10		240	845	
			11		140	775	
			9	02	95	565	
			10		250	725	
			11		250	725	
Propagation delay time, Dna-b to F or F (single ended)	t <sub>PLH2</sub> , t <sub>PHL2</sub>		9	01	515	1025	ps
			10		255	1510	
			11		435	975	
			9	02	355	1055	
			10		455	1145	
			11		455	1075	
Output transition time, Qn or Qn	t <sub>TLH1</sub> , t <sub>THL1</sub>		9	01	250	765	ps
			10		250	805	
			11		250	745	
			9, 10, 11	02	225	725	
Output transition time, F or F	t <sub>TLH2</sub> , t <sub>THL2</sub>		9, 10, 11	01	375	625	ps
			9, 10, 11	02	275	725	

<sup>1/</sup> The limits are determined after a device has reached thermal equilibrium. This is defined as the reading taken with the device in a socket with ≥ 500 LFPM of +125°C or -55°C (as applicable) air blowing on the unit in a transverse direction with power applied for at least four minutes before the reading is taken.

<b>STANDARDIZED MILITARY DRAWING DEFENSE ELECTRONICS SUPPLY CENTER DAYTON, OHIO 45444</b>	<b>SIZE A</b>		<b>5962-93100</b>
		<b>REVISION LEVEL</b>	<b>SHEET 6</b>

DESC FORM 193A  
JUL 91

Case Y



Dimension	Millimeters		Inches	
	Min	Max	Min	Max
D1/E1	8.89	10.16	.350	.400
A	1.52	2.03	.060	.080
b	0.36	0.48	.014	.019
e	1.27 BSC		.050 BSC	
Q	0.89	1.09	.035	.043
c	0.10	0.18	.004	.007
L	7.49	8.38	.295	.330
D/E	23.88	25.65	.940	1.010

Notes:

1. The preferred unit of measurement is millimeters. However, this item was designed using inch-pound units of measurement. In case of problems involving conflicts between the metric and inch-pound units, the inch-pound units shall rule.
2. Dimensions D1 and E1 allow for lid misalignment and glass meniscus.
3. Dimension Q shall be measured at the point of exit of the lead from the body.
4. Lead number 1 is identified by a tab located on the lead.
5. Dimension c includes solder lead finish.
6. Lead numbers are shown for reference only and do not appear on package.

FIGURE 1. Case outline.

<b>STANDARDIZED MILITARY DRAWING DEFENSE ELECTRONICS SUPPLY CENTER DAYTON, OHIO 45444</b>	<b>SIZE A</b>		<b>5962-93100</b>
		<b>REVISION LEVEL</b>	<b>SHEET 7</b>

DESC FORM 193A  
JUL 91

Device type	ALL	Device type	ALL
Case outline	Y	Case outline	Y
Terminal number	Terminal symbol	Terminal number	Terminal symbol
1	V <sub>EE</sub>	15	$\bar{Q}3$
2	D1a	16	V <sub>CC</sub>
3	D1b	17	Q4
4	D0a	18	$\bar{Q}4$
5	D0b	19	$\bar{F}$
6	V <sub>CCO</sub>	20	F
7	Q0	21	V <sub>CCO</sub>
8	$\bar{Q}0$	22	NC
9	Q1	23	D4a
10	$\bar{Q}1$	24	D4b
11	V <sub>CCO</sub>	25	D3a
12	Q2	26	D3b
13	$\bar{Q}2$	27	D2a
14	Q3	28	D2b

NC = No connection

FIGURE 2. Terminal connections.

Inputs		Outputs			
Dna	Dnb	Qn	$\bar{Q}n$	F	$\bar{F}$
L	L	L	H	$\frac{1}{1}$	$\frac{1}{1}$
L	H	L	H		
H	L	L	H		
H	H	H	L		

L = Low level voltage

H = High level voltage

$\frac{1}{1}$  Logic equations for F and  $\bar{F}$  are as follows:

$$F = (D0a \cdot D0b) + (D1a \cdot D1b) + (D2a \cdot D2b) + (D3a \cdot D3b) + (D4a \cdot D4b)$$

$$\bar{F} = (D0a \cdot D0b) + (D1a \cdot D1b) + (D2a \cdot D2b) + (D3a \cdot D3b) + (D4a \cdot D4b)$$

FIGURE 3. Truth table.

<b>STANDARDIZED MILITARY DRAWING DEFENSE ELECTRONICS SUPPLY CENTER DAYTON, OHIO 45444</b>	<b>SIZE A</b>		<b>5962-93100</b>
		<b>REVISION LEVEL</b>	<b>SHEET 8</b>

DESC FORM 193A  
JUL 91



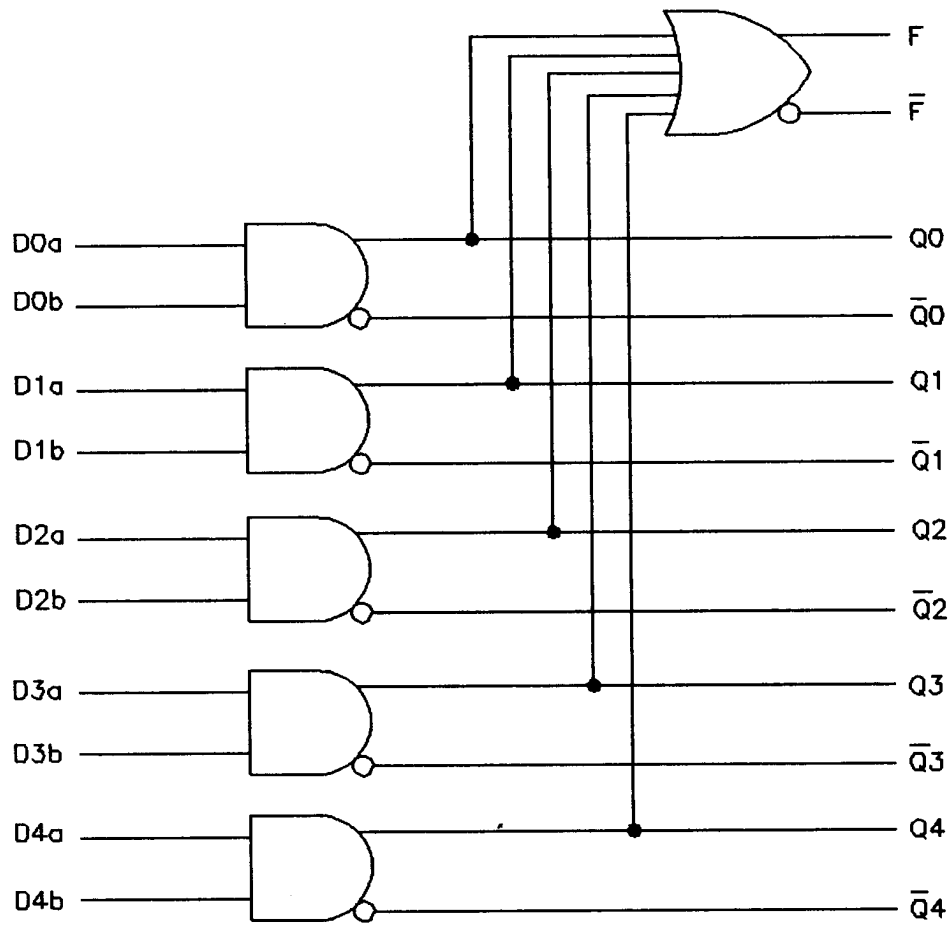
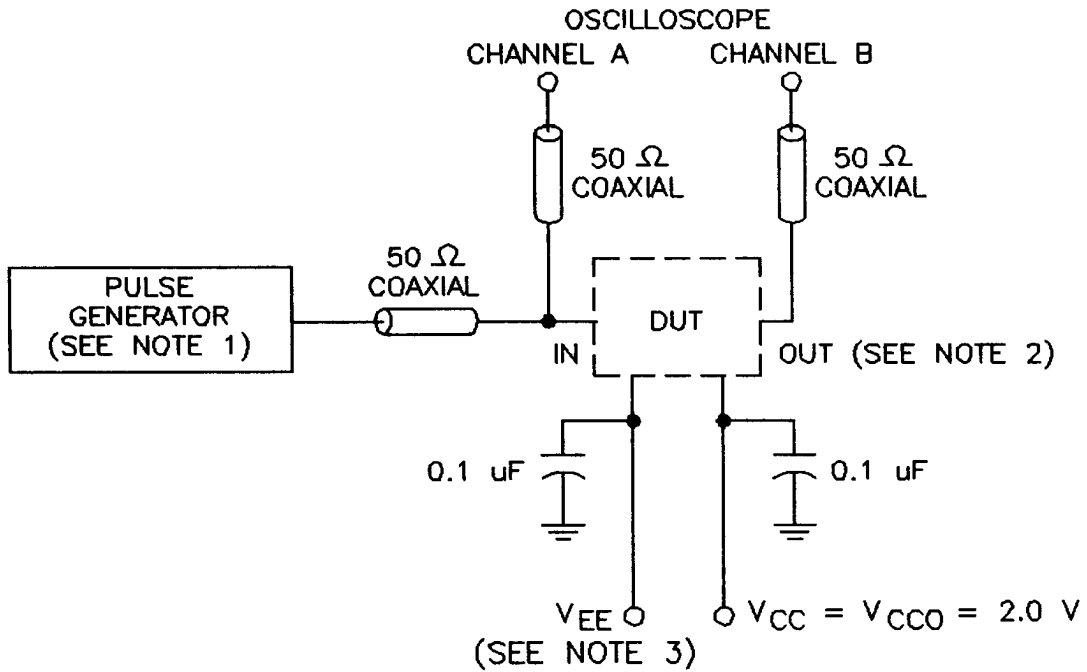


FIGURE 4. Logic diagram.

<b>STANDARDIZED MILITARY DRAWING DEFENSE ELECTRONICS SUPPLY CENTER DAYTON, OHIO 45444</b>	<b>SIZE A</b>		5962-93100
		REVISION LEVEL	SHEET 9

DESC FORM 193A  
JUL 91

EQUIVALENT TEST CIRCUIT



OUTPUT TRANSITION TIMES

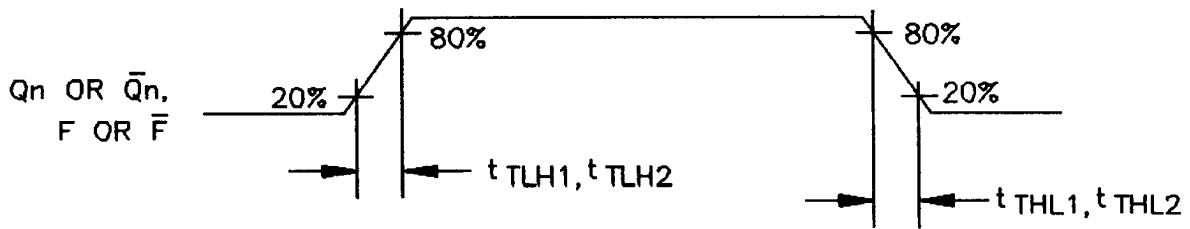
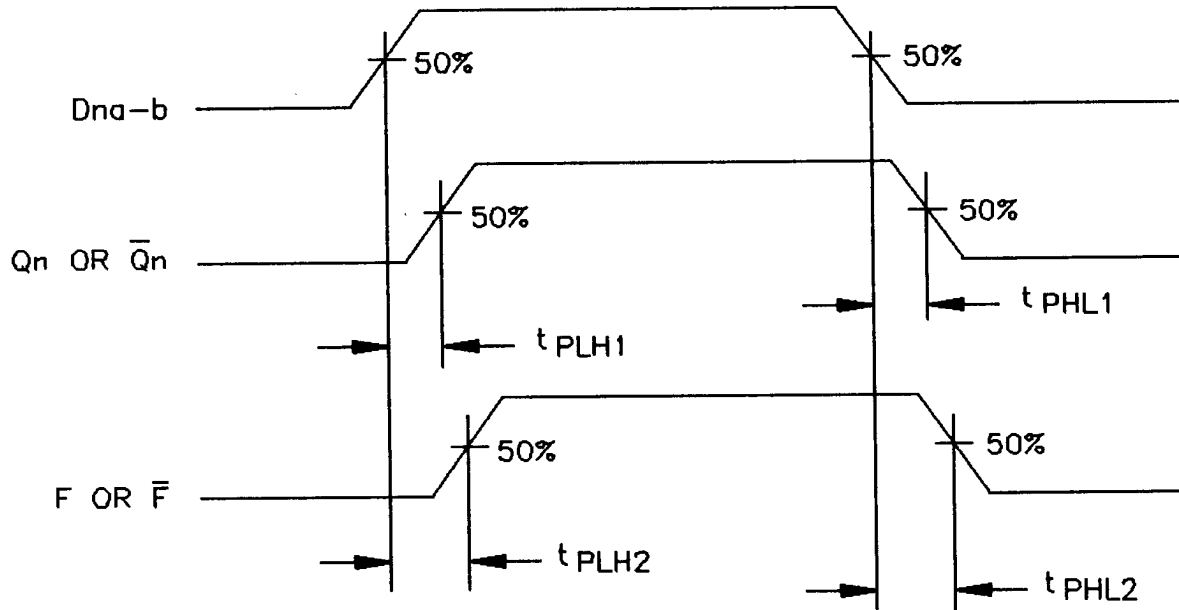


FIGURE 5. Test circuit and switching waveforms.

STANDARDIZED MILITARY DRAWING DEFENSE ELECTRONICS SUPPLY CENTER DAYTON, OHIO 45444	SIZE A		5962-93100
		REVISION LEVEL	SHEET 10

DESC FORM 193A  
 JUL 91

PROPAGATION DELAY TIMES - SINGLE ENDED



Notes:

1. Pulse generator characteristics:  
 $PRR = 10 \text{ MHz}$ ,  $t_r = t_f \leq 500 \text{ ps}$  (20 percent to 80 percent), duty cycle = 50 percent.
2. All other outputs are loaded through  $50\Omega$  to GND.
3.  $V_{EE} = -2.94 \text{ V}$  for type 01 and  $-2.20 \text{ V}$  for type 02.

FIGURE 5. Test circuit and switching waveforms - Continued.

<b>STANDARDIZED          MILITARY DRAWING          DEFENSE ELECTRONICS SUPPLY CENTER          DAYTON, OHIO 45444</b>	<b>SIZE          A</b>		<b>5962-93100</b>
		<b>REVISION LEVEL</b>	<b>SHEET          11</b>

DESC FORM 193A  
 JUL 91

3.6 Certificate of compliance. For device class M, a certificate of compliance shall be required from a manufacturer in order to be listed as an approved source of supply in MIL-BUL-103 (see 6.7.3 herein). For device classes Q and V, a certificate of compliance shall be required from a QML-38535 listed manufacturer in order to supply to the requirements of this drawing (see 6.7.2 herein). The certificate of compliance submitted to DESC-EC prior to listing as an approved source of supply for this drawing shall affirm that the manufacturer's product meets, for device class M, the requirements of MIL-STD-883 (see 3.1 herein), or for device classes Q and V, the requirements of MIL-I-38535 and the requirements herein.

3.7 Certificate of conformance. A certificate of conformance as required for device class M in MIL-STD-883 (see 3.1 herein) or device classes B and S in MIL-M-38510 or for device classes Q and V in MIL-I-38535 shall be provided with each lot of microcircuits delivered to this drawing.

3.8 Notification of change for device class M. For device class M, notification to DESC-EC of change of product (see 6.2 herein) involving devices acquired to this drawing is required for any change as defined in MIL-STD-480.

3.9 Verification and review for device class M. For device class M, DESC, DESC's agent, and the acquiring activity retain the option to review the manufacturer's facility and applicable required documentation. Offshore documentation shall be made available onshore at the option of the reviewer.

3.10 Microcircuit group assignment for device classes M, B, and S. Device classes M, B, and S devices covered by this drawing shall be in microcircuit group number 29 (see MIL-M-38510, appendix E).

3.11 Serialization for device class S. All device class S devices shall be serialized in accordance with MIL-M-38510.

4. QUALITY ASSURANCE PROVISIONS

4.1 Sampling and inspection. For device class M, sampling and inspection procedures shall be in accordance with section 4 of MIL-M-38510 to the extent specified in MIL-STD-883 (see 3.1 herein). For device classes B and S, sampling and inspection procedures shall be in accordance with MIL-M-38510 and method 5005 of MIL-STD-883, except as modified herein. For device classes Q and V, sampling and inspection procedures shall be in accordance with MIL-I-38535 and the device manufacturer's QM plan.

4.2 Screening. For device class M, screening shall be in accordance with method 5004 of MIL-STD-883, and shall be conducted on all devices prior to quality conformance inspection. For device classes B and S, screening shall be in accordance with method 5004 of MIL-STD-883, and shall be conducted on all devices prior to qualification and quality conformance inspection. For device classes Q and V, screening shall be in accordance with MIL-I-38535, and shall be conducted on all devices prior to qualification and technology conformance inspection.

4.2.1 Additional criteria for device classes M, B, and S.

a. Burn-in test, method 1015 of MIL-STD-883.

(1) Test condition A, B, C, or D. For device class M, the test circuit shall be maintained by the manufacturer under document revision level control and shall be made available to the preparing or acquiring activity upon request. For device classes B and S, the test circuit shall be submitted to the qualifying activity. For device classes M, B, and S, the test circuit shall specify the inputs, outputs, biases, and power dissipation, as applicable, in accordance with the intent specified in test method 1015.

(2)  $T_A = +125^{\circ}\text{C}$ , minimum.

b. Interim and final electrical test parameters shall be as specified in table II herein.

4.2.2 Additional criteria for device classes Q and V.

a. The burn-in test duration, test condition and test temperature, or approved alternatives shall be as specified in the device manufacturer's QM plan in accordance with MIL-I-38535. The burn-in test circuit shall be maintained under document revision level control of the device manufacturer's Technology Review Board (TRB) in accordance with MIL-I-38535 and shall be made available to the acquiring or preparing activity upon request. The test circuit shall specify the inputs, outputs, biases, and power dissipation, as applicable, in accordance with the intent specified in test method 1015.

<b>STANDARDIZED MILITARY DRAWING DEFENSE ELECTRONICS SUPPLY CENTER DAYTON, OHIO 45444</b>	<b>SIZE A</b>		<b>5962-93100</b>
		<b>REVISION LEVEL</b>	<b>SHEET 12</b>

DESC FORM 193A  
JUL 91

- b. Interim and final electrical test parameters shall be as specified in table II herein.
- c. Additional screening for device class V beyond the requirements of device class Q shall be as specified in appendix B of MIL-I-38535.

4.3 Qualification inspection.

4.3.1 Qualification inspection for device classes B and S. Qualification inspection for device classes B and S shall be in accordance with MIL-M-38510. Inspections to be performed shall be those specified in method 5005 of MIL-STD-883 and herein for groups A, B, C, D, and E inspections (see 4.4.1 through 4.4.5).

4.3.2 Qualification inspection for device classes Q and V. Qualification inspection for device classes Q and V shall be in accordance with MIL-I-38535. Inspections to be performed shall be those specified in MIL-I-38535 and herein for groups A, B, C, D, and E inspections (see 4.4.1 through 4.4.5).

4.4 Conformance inspection. Quality conformance inspection for device class M shall be in accordance with MIL-STD-883 (see 3.1 herein) and as specified herein. Quality conformance inspection for device classes B and S shall be in accordance with MIL-M-38510 and as specified herein. Inspections to be performed for device classes M, B, and S shall be those specified in method 5005 of MIL-STD-883 and herein for groups A, B, C, D, and E inspections (see 4.4.1 through 4.4.5). Technology conformance inspection for classes Q and V shall be in accordance with MIL-I-38535 including groups A, B, C, D, and E inspections and as specified herein except where option 2 of MIL-I-38535 permits alternate in-line control testing.

4.4.1 Group A inspection.

- a. Tests shall be as specified in table II herein.
- b. For device class M, subgroups 7 and 8 tests shall be sufficient to verify the truth table. For device classes B and S, subgroups 7 and 8 tests shall be sufficient to verify the truth table as approved by the qualifying activity. For device classes Q and V, subgroups 7 and 8 shall include verifying the functionality of the device; these tests shall have been fault graded in accordance with MIL-STD-883, test method 5012 (see 1.5 herein).

4.4.2 Group B inspection. The group B inspection end-point electrical parameters shall be as specified in table II herein. For device class S steady-state life tests, the test circuit shall be submitted to the qualifying activity.

4.4.3 Group C inspection. The group C inspection end-point electrical parameters shall be as specified in table II herein.

4.4.3.1 Additional criteria for device classes M and B. Steady-state life test conditions, method 1005 of MIL-STD-883:

- a. Test condition A, B, C, or D. For device class M, the test circuit shall be maintained by the manufacturer under document revision level control and shall be made available to the preparing or acquiring activity upon request. For device class B, the test circuit shall be submitted to the qualifying activity. For device classes M and B, the test circuit shall specify the inputs, outputs, biases, and power dissipation, as applicable, in accordance with the intent specified in test method 1005.
- b.  $T_A = +125^\circ\text{C}$ , minimum.
- c. Test duration: 1,000 hours, except as permitted by method 1005 of MIL-STD-883.

4.4.3.2 Additional criteria for device classes Q and V. The steady-state life test duration, test condition and test temperature, or approved alternatives shall be as specified in the device manufacturer's QM plan in accordance with MIL-I-38535. The test circuit shall be maintained under document revision level control by the device manufacturer's TRB in accordance with MIL-I-38535 and shall be made available to the acquiring or preparing activity upon request. The test circuit shall specify the inputs, outputs, biases, and power dissipation, as applicable, in accordance with the intent specified in test method 1005.

4.4.4 Group D inspection. The group D inspection end-point electrical parameters shall be as specified in table II herein.

<b>STANDARDIZED MILITARY DRAWING DEFENSE ELECTRONICS SUPPLY CENTER DAYTON, OHIO 45444</b>	<b>SIZE A</b>		<b>5962-93100</b>
		<b>REVISION LEVEL</b>	<b>SHEET 13</b>

DESC FORM 193A  
JUL 91

TABLE II. Electrical test requirements.

Test requirements	Subgroups (in accordance with MIL-STD-883, method 5005, table I)			Subgroups (in accordance with MIL-I-38535, table III)	
	Device class M	Device class B	Device class S	Device class Q	Device class V
Interim electrical parameters (see 4.2)	1	1	1	1	1
Final electrical parameters (see 4.2)	1,2,3,7, 8,9,10,11 1/	1,2,3,7, 8,9,10,11 1/	1,2,3,7, 8,9,10,11 2/	1,2,3,7, 8,9,10,11 1/	1,2,3,7, 8,9,10,11 2/
Group A test requirements (see 4.4)	1,2,3,7, 8,9,10,11	1,2,3,7, 8,9,10,11	1,2,3,7, 8,9,10,11	1,2,3,7, 8,9,10,11	1,2,3,7, 8,9,10,11
Group B end-point electrical parameters (see 4.4)			1,2,3,7, 8,9,10,11		
Group C end-point electrical parameters (see 4.4)	1,2,3,9	1,2,3, 7,8		1,2,3, 7,8	1,2,3, 7,8
Group D end-point electrical parameters (see 4.4)	1,2,3,9	1,2,3, 7,8	1,2,3, 7,8	1,2,3, 7,8	1,2,3, 7,8
Group E end-point electrical parameters (see 4.4)		1,7,9	1,7,9	1,7,9	1,7,9

1/ PDA applies to subgroup 1.

2/ PDA applies to subgroups 1 and 7.

4.4.5 Group E inspection. Group E inspection is required only for parts intended to be marked as radiation hardness assured (see 3.5 herein). RHA levels for device classes B, S, Q, and V shall be M, D, R, and H and for device class M shall be M and D.

- a. End-point electrical parameters shall be as specified in table II herein.
- b. For device classes M, B, and S, the devices shall be subjected to radiation hardness assured tests as specified in MIL-M-38510 for the RHA level being tested. For device classes Q and V, the devices or test vehicle shall be subjected to radiation hardness assured tests as specified in MIL-I-38535 for the RHA level being tested. All device classes must meet the postirradiation end-point electrical parameter limits as defined in table I at  $T_A = +25^\circ\text{C} \pm 5^\circ\text{C}$ , after exposure, to the subgroups specified in table II herein.
- c. When specified in the purchase order or contract, a copy of the RHA delta limits shall be supplied.

5. PACKAGING

5.1 Packaging requirements. The requirements for packaging shall be in accordance with MIL-M-38510 for device classes M, B, and S and MIL-I-38535 for device classes Q and V.

6. NOTES

6.1 Intended use. Microcircuits conforming to this drawing are intended for use for Government microcircuit applications (original equipment), design applications, and logistics purposes.

6.1.1 Replaceability. Microcircuits covered by this drawing will replace the same generic device covered by a contractor-prepared specification or drawing.

6.1.2 Substitutability. Device classes B and Q devices will replace device class M devices.

<b>STANDARDIZED MILITARY DRAWING DEFENSE ELECTRONICS SUPPLY CENTER DAYTON, OHIO 45444</b>	<b>SIZE A</b>		<b>5962-93100</b>
		<b>REVISION LEVEL</b>	<b>SHEET 14</b>

DESC FORM 193A  
JUL 91

6.2 Configuration control of SMD's. All proposed changes to existing SMD's will be coordinated with the users of record for the individual documents. This coordination will be accomplished in accordance with MIL-STD-481 using DD Form 1693, Engineering Change Proposal (Short Form).

6.3 Record of users. Military and industrial users shall inform Defense Electronics Supply Center when a system application requires configuration control and which SMD's are applicable to that system. DESC will maintain a record of users and this list will be used for coordination and distribution of changes to the drawings. Users of drawings covering microelectronic devices (FSC 5962) should contact DESC-EC, telephone (513) 296-6047.

6.4 Comments. Comments on this drawing should be directed to DESC-EC, Dayton, Ohio 45444, or telephone (513) 296-5377.

6.5 Abbreviations, symbols, and definitions. The abbreviations, symbols, and definitions used herein are defined in MIL-M-38510 and MIL-STD-1331.

6.6 One part - one part number system. The one part - one part number system described below has been developed to allow for transitions between identical generic devices covered by the four major microcircuit requirements documents (MIL-M-38510, MIL-H-38534, MIL-I-38535, and 1.2.1 of MIL-STD-883) without the necessity for the generation of unique PIN's. The four military requirements documents represent different class levels, and previously when a device manufacturer upgraded military product from one class level to another, the benefits of the upgraded product were unavailable to the Original Equipment Manufacturer (OEM), that was contractually locked into the original unique PIN. By establishing a one part number system covering all four documents, the OEM can acquire to the highest class level available for a given generic device to meet system needs without modifying the original contract parts selection criteria.

<u>Military documentation format</u>	<u>Example PIN under new system</u>	<u>Manufacturing source listing</u>	<u>Document Listing</u>
New MIL-M-38510 Military Detail Specifications (in the SMD format)	5962-XXXXXZZ(B or S)YY	QPL-38510 (Part 1 or 2)	MIL-BUL-103
New MIL-H-38534 Standardized Military Drawings	5962-XXXXXZZ(H or K)YY	QML-38534	MIL-BUL-103
New MIL-I-38535 Standardized Military Drawings	5962-XXXXXZZ(Q or V)YY	QML-38535	MIL-BUL-103
New 1.2.1 of MIL-STD-883 Standardized Military Drawings	5962-XXXXXZZ(M)YY	MIL-BUL-103	MIL-BUL-103

6.7 Sources of supply.

6.7.1 Sources of supply for device classes B and S. Sources of supply for device classes B and S are listed in QPL-38510.

6.7.2 Sources of supply for device classes Q and V. Sources of supply for device classes Q and V are listed in QML-38535. The vendors listed in QML-38535 have submitted a certificate of compliance (see 3.6 herein) to DESC-EC and have agreed to this drawing.

6.7.3 Approved sources of supply for device class M. Approved sources of supply for class M are listed in MIL-BUL-103. The vendors listed in MIL-BUL-103 have agreed to this drawing and a certificate of compliance (see 3.6 herein) has been submitted to and accepted by DESC-EC.

<b>STANDARDIZED MILITARY DRAWING DEFENSE ELECTRONICS SUPPLY CENTER DAYTON, OHIO 45444</b>	<b>SIZE A</b>		<b>5962-93100</b>
		<b>REVISION LEVEL</b>	<b>SHEET 15</b>

DESC FORM 193A  
JUL 91