

- ▶ Low Profile
- ▶ 3.2 x 2.5 mm Footprint
- ▶ Highly stable output
- ▶ RoHS Compliant



VC-TXO-23SM

SMD VC-TCXO

The miniature VC-TXO-23SM is a compact SMD VC-TCXO. The 3.2 x 2.5 x 0.9 mm ceramic package is ideal for today's SMD manufacturing environment.

OPERATING CONDITIONS / ELECTRICAL CHARACTERISTICS

PARAMETERS	CONDITIONS	VC-TXO-23SM			UNITS
		MIN	TYP	MAX	
Frequency Range		12.000		40.000	MHz
Initial Frequency Tolerance	@ +25°C ± 2°C			± 1	ppm
Stability Option A	-10 ~ +70°C			± 2.5	ppm
Stability Option B	-20 ~ +75°C			± 2.5	ppm
Stability Option C	-30 ~ +85°C			± 5.0	ppm
Supply Voltage Change	+3.0V ±5%			±0.3	ppm
Load Change	10K Ω ±10%/10 pF ± 10%			±0.3	ppm
Aging	Per Year @ +25°C ±3°C			± 1	ppm
Storage Temperature	T _{stg}	-40		+85	°C
Supply Voltage	+3.0 V DC Nominal	+2.85	+3.0	+3.15	V DC
Input Current	Without Load			1.5	mA
Output Voltage	Clipped Sinewave	0.8			V p-p
Output Load	10K Ω ±10%/10 pF ± 10%				
Frequency Control Range	+1.5 V DC ±1V Positive Slope	± 9		± 15	ppm
Control Voltage		+0.5	+1.5	+2.5	V
Harmonics				-5.0	dBc

PACKAGE DIMENSIONS (mm)

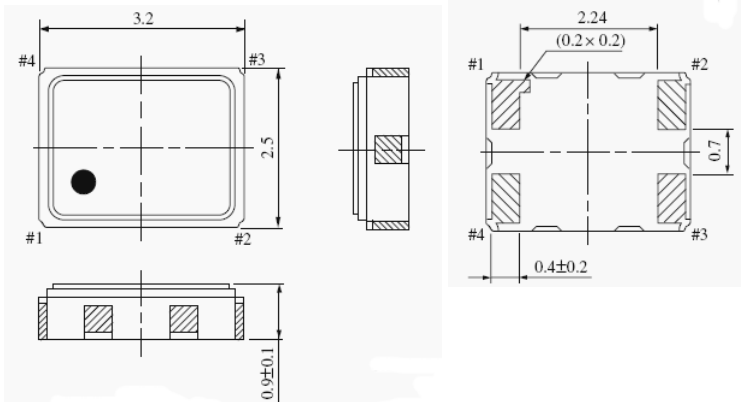


Figure 1) Top, Side, End and Bottom Views

Developed Frequencies

19.200 MHz, 19.680 MHz, 19.800 MHz, 20.000 MHz & 26.000 MHz

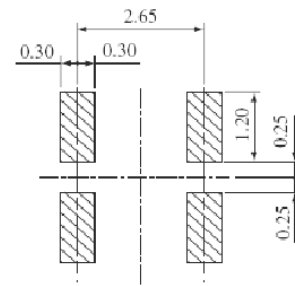


Figure 2) Suggested Land

Pad Connections	
1	Vcontrol
2	Gnd
3	Out
4	+3.0 VDC

PART NUMBERING GUIDE: Example VC-TXO-23SM-192-A-TR

