

TCXO, VC-TCXO

TCXO

■ FOR HANDY PHONE

Item	Type	0.27cc	0.27cc	0.42cc	0.33cc
		TCXO-201C1 *1 VC-TCXO-201C1	TCXO-201C2 *1 VC-TCXO-201C2	TCXO-111C *1 VC-TCXO-111C	TCXO-115C *1 VC-TCXO-115C
Standard Frequency		12.8, 13.0, 14.4, 14.85, 15.36, 19.68 MHz			
Frequency Stability		$\pm 2.5 \times 10^{-6} / -30 \sim +75 \text{ C}$ *2			
Aging		$\pm 1 \times 10^{-6} \text{ MAX./year}$			
Supply Voltage		$+5V \pm 5\%$ *3			
Supply Current		2.0mA MAX.			
Output	Load	10k Ω //10pF			
	Level	1V _{p-p} MIN.			
Frequency Tuning Range		$\pm 3 \times 10^{-6} \text{ MIN.}$			
Frequency Deviation/Control Voltage (only VC-TCXO)		$\pm 4 \times 10^{-6} \text{ MIN./} +2.5V \pm 2V \text{ (Positive)}$			
Outline		Fig.1	Fig.2	Fig.3	Fig.4

*1. Please contact us for reflow conditions.

*2. Frequency Stability $\pm 1.5 \times 10^{-6} / -20 \sim +75^\circ\text{C}$ is available.

*3. Supply voltage of 3.0 V_{DC} is available.

Fig.1 (VC-) TCXO-201C1

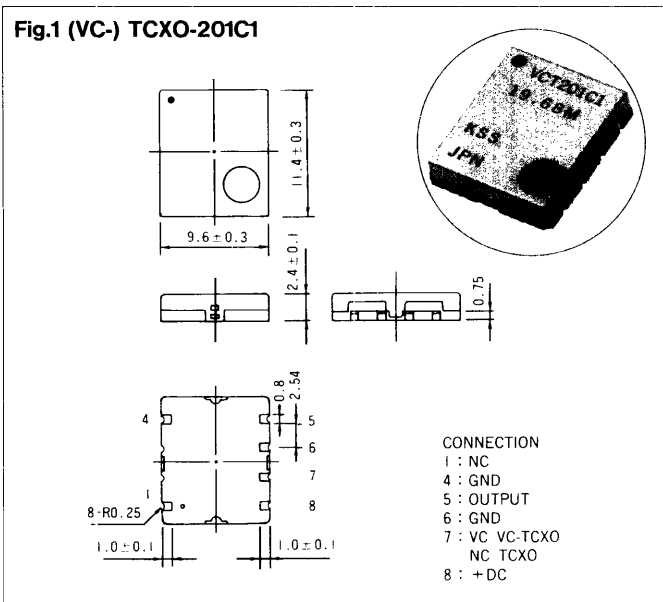


Fig.2 (VC-) TCXO-201C2

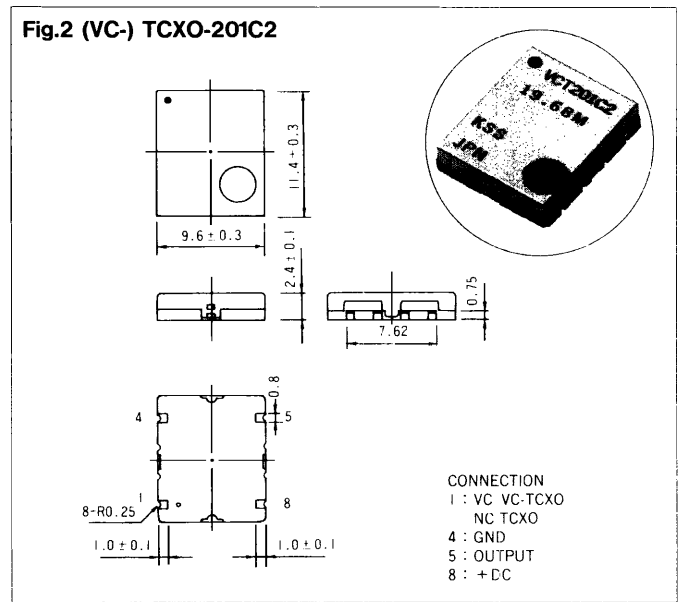


Fig.3 (VC-) TCXO-111C

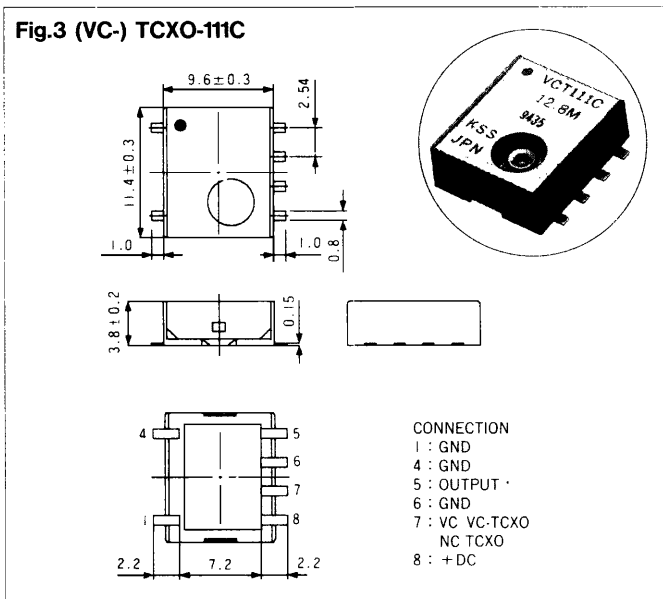
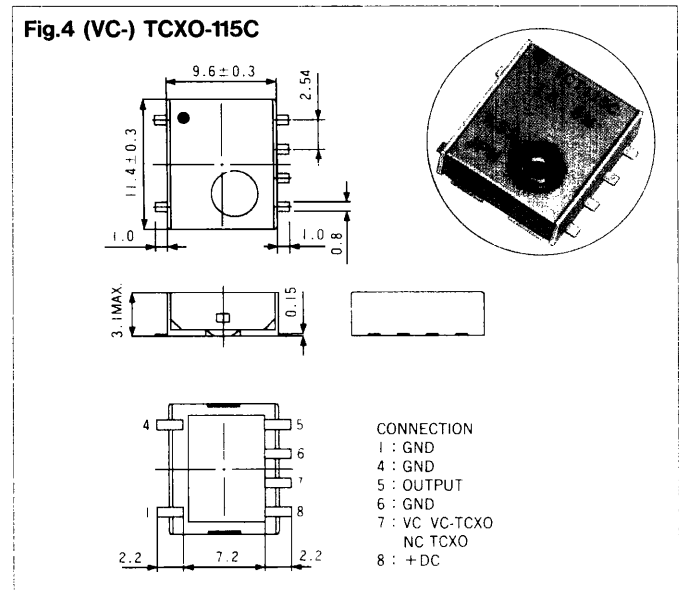


Fig.4 (VC-) TCXO-115C



Dimensions(mm)