



SUB MINIATURE LAMP, OXL/MIL50/- RANGE

FEATURES

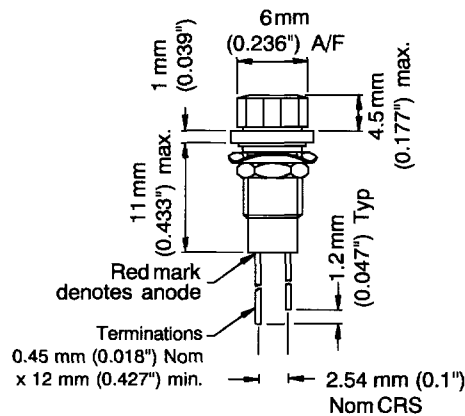
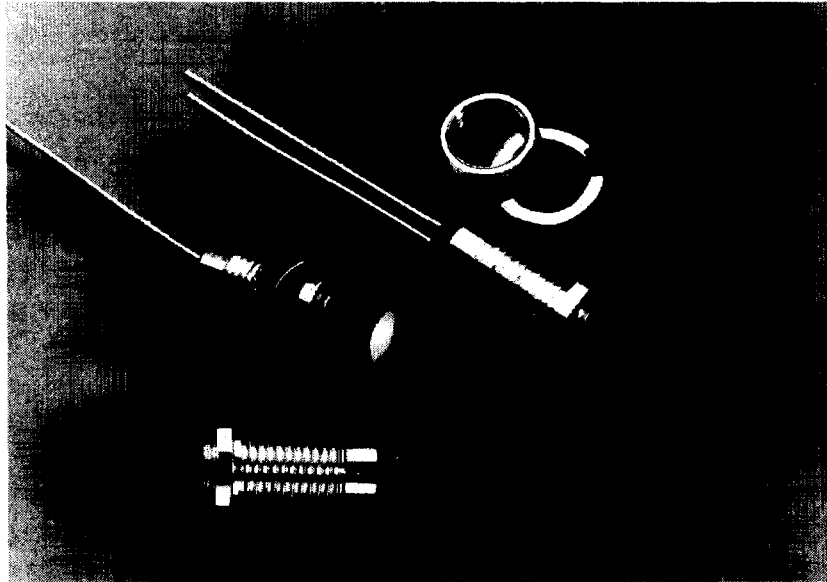
- ideal where panel space is at a premium
- 20 mcd output high intensity emitters
- 7.5 mm (0.295") dia. low profile package
- sealing to BS 5490 IP67
- attractive anodised bezel
- high reliability - 100% screened
- IC compatible low current capability
- 100 % screening and burn-in
- DEF STAN 59-61 approved

APPLICATIONS

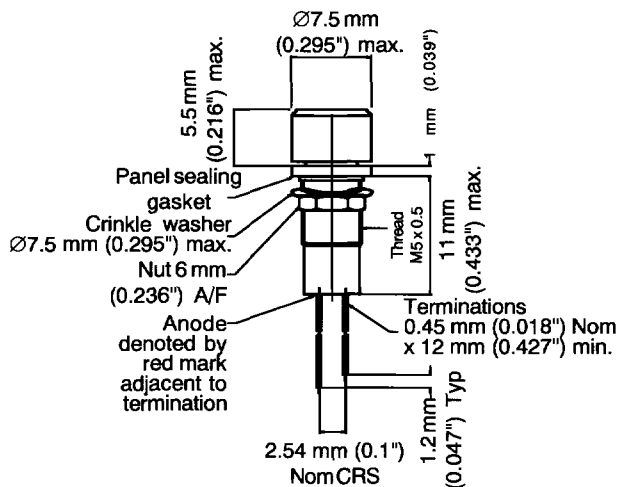
- portable instruments
- outdoor displays
- cockpit/crew station indicators/NVG users
- control/power consoles

STYLES

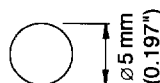
- diffused or clear lens (superbright)
- sunlight visible
- electrostatic screen
- NVG compatible



OXL/MIL50/-



OXL/MIL50/SES/-



MOUNTING HOLE
(OXL/MIL50/- or OXL/MIL50/SES/-)





SUB MINIATURE LAMP, OXL/MIL50/- RANGE

LUMINOUS INTENSITY Typical (mcd at 20 mA)

TYPE	RED	YELLOW	GREEN	BLUE
OXL/MIL50 (and-/SES)	20	20	20	2
OXL/MIL50/SB	30	30	30	-
OXL/MIL50/NVG10	-	-	10	-
OXL/MIL50/RAF	4	4	4	-

ELECTRICAL CHARACTERISTICS

	AlGaAs RED	RED	YELLOW	GREEN	BLUE
Forward Current (mA) max./typ	30/20	30/20	20/20	30/20	30/20
Forward Voltage (V) typ	1.8	2.2	2.2	2.3	3.0
Reverse Voltage (V) max.	5	5	5	5	5

ENVIRONMENTAL

Operating and storage temperature : -40°C to 100°C
 Sealing : BS 2011 Pt. 2.1 Qa at 15 psi (equivalent to 10 m water)
 BS 5490 IP67
 Chassis thickness : 1 mm (0.039") - 4 mm (0.157")
 Recommended mounting torque : 0.5 Nm (0.37 lbf ft.)
 Mounting hole : $\varnothing 5.0 + \begin{smallmatrix} 0.1 \\ 0.0 \end{smallmatrix}$ chassis should be clean and free from burrs

MATERIALS

Body and Nut : Aluminium alloy
 Sealing Ring : Fluorocarbon rubber
 Shroud : Aluminium alloy - black anodised
 Lens : Glass
 Terminations : Solderability to BS 2011 Test T

ORDERING INFORMATION

OXL/MIL50/

generic range

SES	- electrostatic screen
RAF	- sunlight visible
NVG 10	- NVG compatible - green
NVG 20	- NVG compatible - yellow
NVG 30	- NVG compatible - red
SB	- superbright clear lens

Please specify type no. and colour e.g. OXL/MIL50/SES, red.
 For DEF STAN Release please add DEF STAN 59-61

We also have capabilities to manufacture competitive custom products where quantities warrant. For further information please contact Technical Sales (01229) 582621.

COMPANY APPROVALS

BS EN ISO 9001:1994 and QAS/34/61 REG No. FM 01759
 CECC Approval No. M/0022, BS 9000 Approval No. 1048/M

European and International Patents

OXLEY® is a trademark of Oxley Developments Company Ltd.

®Registered



ODC:SMEPD:40029/4/98

Oxley Developments Company Ltd., Priory Park, Ulverston, Cumbria, England, LA12 9QG
 Tel: (01229) 582621 Fax: (01229) 585090 www.oxleygroup.com

Oxley Inc. 25 Business Park Drive, PO Box 814, Branford, CT 06405, USA
 Tel: (203) 488-1033 Fax: (203) 481-6971 www.oxleyinc.com

©Copyright Oxley Developments Company Ltd. 1998