

Storage Choke, open version, without socket



Description

- Storage choke
- Wire leads
- Reduced magnetic reversal
- Constant inductance at high alternating field modulation and large DC magnetization
- Constant inductance at high alternating field modulation and large DC magnetization
- Open version without socket and chassis

Standards

- EN 60938

Applications

- Storage of energy in switched power supplies
- Switch-mode
- Chopper amplifiers
- DC drives and stepper motor controls

References

Weblinks

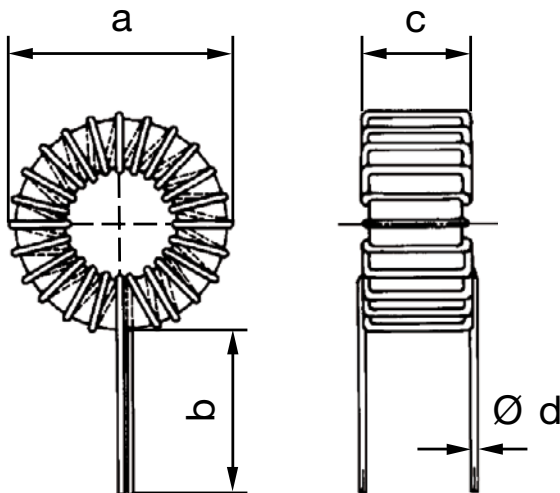
[pdf](#), [General Product Information](#), [Approvals](#), [RoHS](#), [CHINA-RoHS](#), [e-Store](#), [SCHURTER-Stock-Check](#), [Distributor-Stock-Check](#)

Technical Data

Rated voltage	to 600VDC
Rated Current	0.5 - 16A @ Ta 70 °C
Rated inductance	0.01 - 1 mH, Tol. ±15%
Power Operating Frequency	up to 1 MHz
Terminal technic	Wire leads
Weight	4 - 104g

Isolation Voltage	2 kV eff., winding to ambient
Climatic Category	40/125/21 acc. to IEC 60068-1
Allowable Operation Temp.	-40 °C to 125 °C

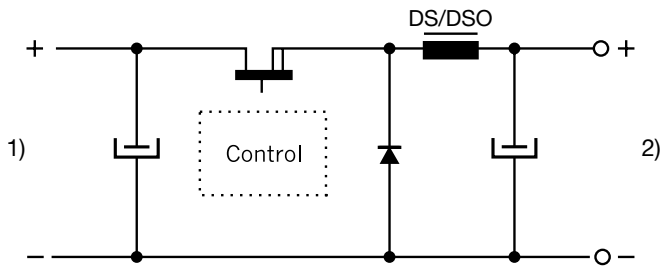
Dimensions



Dimensions: see table of variants

Diagrams

Switch-mode



- 1) Input
- 2) DC output regulated

Variants

I_n [A]	L_n [mH]	R_{cu} [mΩ]	f_{RES} [MHz]	Inductance drop max [%]	A [mm]	B [mm]	C [mm]	D [mm]	Weight [g]	Packing unit [pcs.]	Order Number
0.5	0.8	800	0.8	15	15	20	7	0.3	4	-	DS01-175-0001
0.63	0.5	550	2.5	15	15	20	7	0.3	4	-	DS01-175-0002
0.63	1	750	1.7	15	19	20	8.5	0.3	7	-	DS01-20-0001
1	0.2	200	3.5	15	15	20	7	0.4	4	-	DS01-175-0003
1.4	0.1	100	4	20	15	20	7	0.5	4	-	DS01-175-0004
1.4	0.2	175	4.7	15	19	20	8.5	0.4	8	-	DS01-20-0002
1.4	0.5	200	1.5	20	23	25	9	0.5	13	-	DS01-25-0001
1.6	0.5	200	1.7	15	26	25	11	0.5	19	-	DS01-30-0001
2	0.2	120	3.3	20	23	25	9	0.6	12	-	DS01-25-0002
2	0.3	140	2.5	15	26	25	11	0.5	17	-	DS01-30-0002
2	1	190	1.2	20	39	40	14	0.7	55	-	DS01-40-0001
3	0.035	20	5	20	15	20	7	0.8	4	-	DS01-175-0005
3.15	0.04	33	13	15	19	20	8.5	0.7	8	-	DS01-20-0003
3.15	0.1	50	5.7	20	23	25	9	0.8	13	-	DS01-25-0003
3.15	0.15	70	3.5	15	26	25	11	0.7	19	-	DS01-30-0003
3.15	0.5	90	1.5	20	39	40	14	0.8	55	-	DS01-40-0002
3.15	1	180	0.8	20	43	40	18	0.8	104	-	DS01-48-0001
4	0.1	40	5	20	26	25	11	0.8	20	-	DS01-30-0004
4	0.2	55	3	20	39	40	14	0.8	52	-	DS01-40-0003
4	0.5	90	1.5	20	43	40	18	0.9	104	-	DS01-48-0002
5	0.3	75	1.5	20	43	40	18	0.8	104	-	DS01-48-0003
6	0.1	25	5	20	39	40	14	1	53	-	DS01-40-0004
6.3	0.01	8	33	15	19	20	8.5	0.9	9	-	DS01-20-0004
7	0.2	10	6.5	20	23	25	9	1.3	14	-	DS01-25-0004
9	0.1	20	4	20	43	40	18	1.2	104	-	DS01-48-0004
15	0.035	7	5	20	43	40	18	1.8	104	-	DS01-48-0005
16	0.16	12	2.5	20	44	40	34	2	104	-	DS01-48-0006

R_{cu} at T_U 20°C
 Inductance drop at I_n
 Derating at $T_U > 70^\circ\text{C}$: $I = I_n \times ((125 - T_U) / 55)^{0.5}$