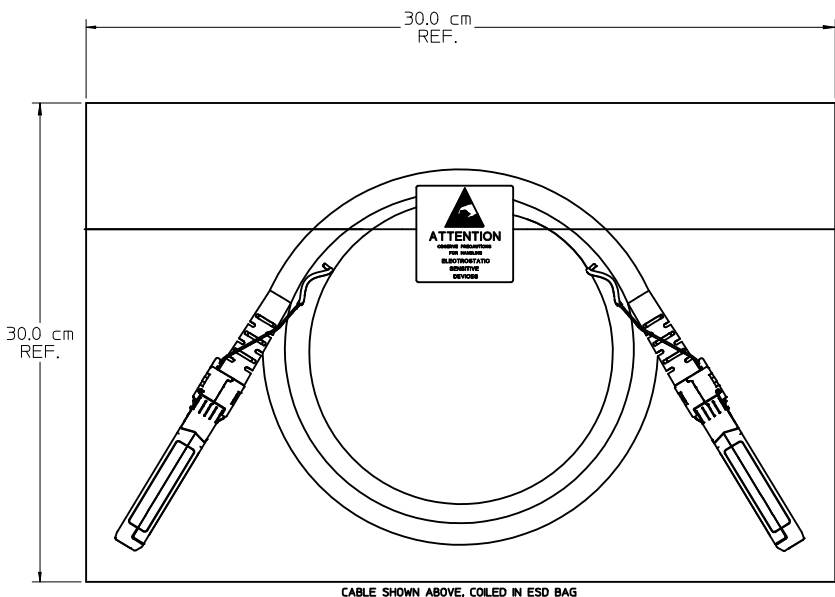


P/N: 74752-XXXX
S/N: YDDLSXXX
XM XXAWG

YDDLSXXX
Y---YEAR. THE LAST DIGIT OF THE YEAR
DDD---DAY OF THE YEAR
L---LOCATION
SSSS---SERIAL NO.



NOTES:

- MATERIALS**
BACKSHELLS - NICKEL PLATED ZINC
DE-LATCH - NYLON
PCB - FR-4
RIVETS - STAINLESS STEEL
- IMPEDANCE - 100 OHMS DIFFERENTIAL, PASSIVE
- PULL TO RELEASE, PLUNGER STYLE LATCH
- EACH ASSEMBLY HAS A SERIAL ID
- 11.09 Gbps BACKWARDS COMPATIBLE TO 1.0625 Gbps
- THIS PRODUCT MEETS THE RESTRICTION OF HAZARDOUS SUBSTANCES IN ELECTRICAL AND ELECTRONIC EQUIPMENT (ROHS) DIRECTIVE (2009/95/EC)

WIRING DIAGRAM			
P1 END		P2 END	
PAD	SIGNAL	PAD	SIGNAL
12	RD-	19	TD-
13	RD+	18	TD+
18	TD+	13	RD+
19	TD-	12	RD-

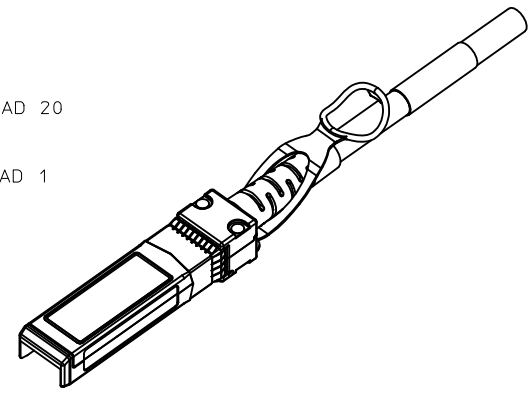
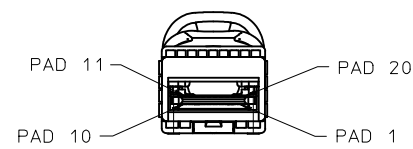
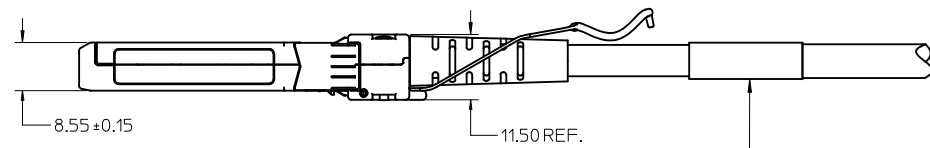
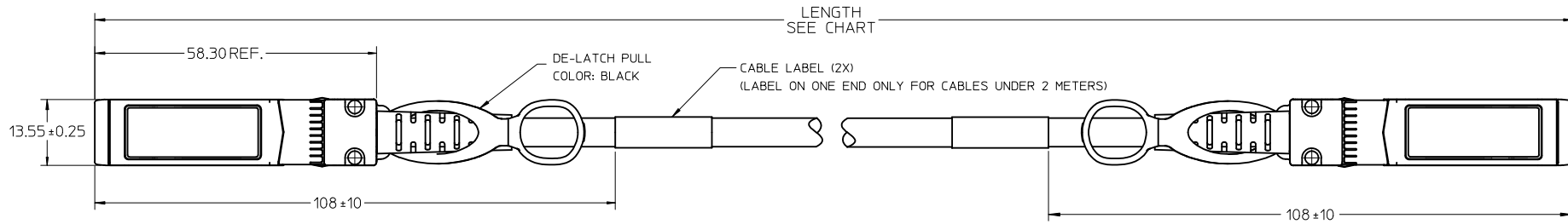
CUSTOM LENGTHS AVAILABLE.
LONGER LENGTH APPLICATIONS REQUIRE
HOST SYSTEM PREEMPHASIS AND
EQUALIZATION.
SEE DATASHEET FOR MORE INFORMATION.

INITIAL RELEASE EC NO: USY2010-0409 DRWN: JERWIN 2010/02/25 CHKD: RMAHMOOD 2010/03/08 APPR: RMAHMOOD 2010/03/09	QUALITY SYMBOLS ▼=0 ▽=0	GENERAL TOLERANCES (UNLESS SPECIFIED)		DIMENSION STYLE MM ONLY		SCALE 1.5:1	DESIGN UNITS METRIC	THIRD ANGLE PROJECTION	
		4 PLACES ± --- ± --- 3 PLACES ± --- ± --- 2 PLACES ± --- ± --- 1 PLACE ± --- ± --- ANGULAR ± ---°	mm INCH DRAWN BY DATE JERWIN 2010/02/09 CHECKED BY DATE KLLOYD 2010/02/09 APPROVED BY DATE RMAHMOOD 2010/03/08 MATERIAL NO. SEE CHART	SFP+ PASSIVE 10G CABLE ASSEMBLY		MOLEX INCORPORATED		DOCUMENT NO. SD-74752-0002	
DRAFT WHERE APPLICABLE MUST REMAIN WITHIN DIMENSIONS	THIS DRAWING CONTAINS INFORMATION THAT IS PROPRIETARY TO MOLEX INCORPORATED AND SHOULD NOT BE USED WITHOUT WRITTEN PERMISSION								

PART NUMBER	LENGTH	AWG
747521032	0.3M ±0.03M	30
747521052		
747521102	1M ±0.05M	30
747521152	1.5M ±0.05M	30
747521202	2M ±0.05M	30
747521302	3M ±0.05M	30
747521502	5M ±0.08M	30
747521702	7M ±0.08M	30
747521802	8M ±0.08M	30
747521902	9M ±0.08M	30
747522032	0.3M ±0.03M	28
747522052	0.5M ±0.03M	28
747522102	1M ±0.05M	28
747522152	1.5M ±0.05M	28
747522202	2M ±0.05M	28
747522302	3M ±0.05M	28
747522502	5M ±0.08M	28
747522702	7M ±0.08M	28
747522902	9M ±0.08M	28

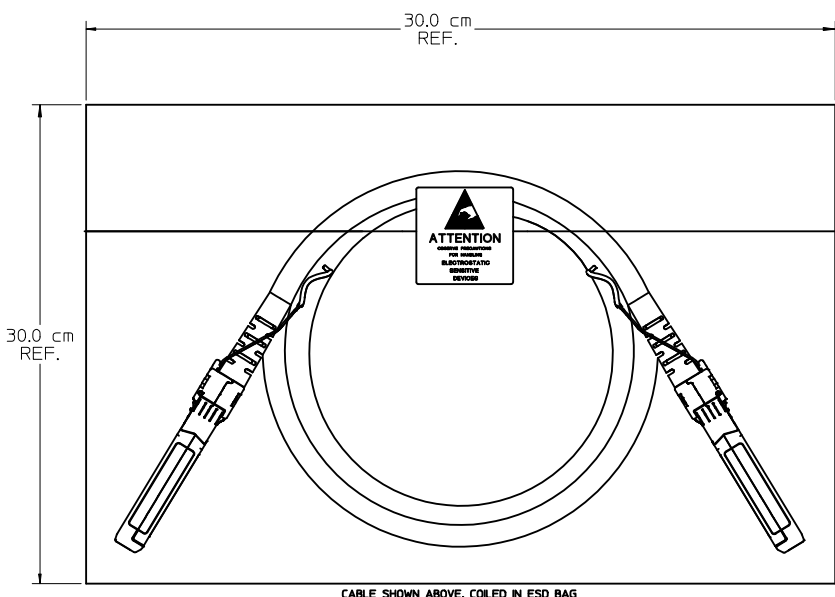
PART NUMBER	LENGTH	AWG
747523052	0.5M ±0.03M	26
747523062	0.6M ±0.03M	26
747523102	1M ±0.05M	26
747523202	2M ±0.05M	26
747523302	3M ±0.05M	26
747523502	5M ±0.08M	26
747523702	7M ±0.08M	26
747523902	9M ±0.08M	26
747524052	0.5M ±0.03M	24
747524102	1M ±0.05M	24
747524202	2M ±0.05M	24
747524302	3M ±0.05M	24
747524402	4M ±0.05M	24
747524502	5M ±0.08M	24
747524602	6M ±0.08M	24
747524702	7M ±0.08M	24
747524802	8M ±0.08M	24
747524902	9M ±0.08M	24

INITIAL RELEASE EC NO: USY2010-0409 DRWN: JERWIN 2010/02/25 CHKD: RMAHMOOD 2010/03/08 APPR: RMAHMOOD 2010/03/09 A	QUALITY SYMBOLS 	GENERAL TOLERANCES (UNLESS SPECIFIED)		DIMENSION STYLE MM ONLY	SCALE 1:1	DESIGN UNITS METRIC	THIRD ANGLE PROJECTION		
		4 PLACES ± --- ± --- 3 PLACES ± --- ± --- 2 PLACES ± --- ± --- 1 PLACE ± --- ± ---	mm INCH ± --- ± --- ± --- ± --- ± --- ± --- ± --- ± ---	DRAWN BY JERWIN	DATE 2010/02/09	TITLE SFP+ PASSIVE 10G CABLE ASSEMBLY			
		ANGULAR ± --- °		CHECKED BY KLLOYD	DATE 2010/02/09	APPROVED BY RMAHMOOD			
		DRAFT WHERE APPLICABLE MUST REMAIN WITHIN DIMENSIONS		MATERIAL NO. SEE CHART	DATE 2010/03/08	DOCUMENT NO. SD-74752-0002		SHEET NO. 2 OF 2	



P/N: 74752-XXXX
S/N: YDDLSSSS
XM XXAWG

YDDLSSSS
Y---YEAR, THE LAST DIGIT OF THE YEAR
DDD---DAY OF THE YEAR
L---LOCATION
SSSS---SERIAL NO.



- NOTES:
- MATERIALS
BACKSHELLS - NICKEL PLATED ZINC
DE-LATCH - PLASTIC
PCB - FR-4
RIVETS - STAINLESS STEEL
 - IMPEDANCE - 100 OHMS DIFFERENTIAL, PASSIVE
 - PULL TO RELEASE, PLUNGER STYLE LATCH
 - EACH ASSEMBLY HAS A SERIAL ID
 - 11.09 Gbps BACKWARDS COMPATIBLE TO 1.0625 Gbps
 - THIS PRODUCT MEETS THE RESTRICTION OF HAZARDOUS SUBSTANCES IN ELECTRICAL AND ELECTRONIC EQUIPMENT (RoHS) DIRECTIVE (2002/95/EC)

WIRING DIAGRAM			
P1 END		P2 END	
PAD	SIGNAL	PAD	SIGNAL
12	RD-	19	TD-
13	RD+	18	TD+
18	TD+	13	RD+
19	TD-	12	RD-

CUSTOM LENGTHS AVAILABLE.
LONGER LENGTH APPLICATIONS REQUIRE
HOST SYSTEM PREEMPHASIS AND
EQUALIZATION.
SEE DATASHEET FOR MORE INFORMATION.

ADDED P/N -2401 EC NO: USY2010-0597 DRW:BCHE06_USY 2010/06/02 CHKD:KLLOYD 2010/06/02 APPR:RMAHMOOD 2010/06/15	QUALITY SYMBOLS ▽=0 ▽=0	GENERAL TOLERANCES (UNLESS SPECIFIED) <table border="1"> <tr> <th></th> <th>mm</th> <th>INCH</th> </tr> <tr> <td>4 PLACES</td> <td>± ---</td> <td>± ---</td> </tr> <tr> <td>3 PLACES</td> <td>± ---</td> <td>± ---</td> </tr> <tr> <td>2 PLACES</td> <td>± ---</td> <td>± ---</td> </tr> <tr> <td>1 PLACE</td> <td>± ---</td> <td>± ---</td> </tr> </table>		mm	INCH	4 PLACES	± ---	± ---	3 PLACES	± ---	± ---	2 PLACES	± ---	± ---	1 PLACE	± ---	± ---	DIMENSION STYLE MM ONLY DRAWN BY DATE JERWIN 2007/01/30 CHECKED BY DATE KLLOYD 2007/01/30 APPROVED BY DATE RMAHMOOD 2007/01/30	SCALE 1.5:1 DESIGN UNITS METRIC THIRD ANGLE PROJECTION	SFP+ PASSIVE 10G CABLE ASSEMBLY
			mm	INCH																
4 PLACES	± ---	± ---																		
3 PLACES	± ---	± ---																		
2 PLACES	± ---	± ---																		
1 PLACE	± ---	± ---																		
DRAFT WHERE APPLICABLE MUST REMAIN WITHIN DIMENSIONS	SEE CHART	MOLEX INCORPORATED DOCUMENT NO. SD-74752-001	SHEET NO. 1 OF 2																	

THIS DRAWING CONTAINS INFORMATION THAT IS PROPRIETARY TO MOLEX INCORPORATED AND SHOULD NOT BE USED WITHOUT WRITTEN PERMISSION

PART NUMBER	LENGTH	AWG
747520010	0.3M ±0.03M	32
747520011	0.5M ±0.03M	32
747520012	1M ±0.05M	32
747520013	2M ±0.05M	32
747520014	3M ±0.05M	32
747520015	4M ±0.05M	32
747520016	5M ±0.08M	32
747521031	0.3M ±0.03M	30
747521051	0.5M ±0.03M	30
747521101	1M ±0.05M	30
747521151	1.5M ±0.05M	30
747521201	2M ±0.05M	30
747521301	3M ±0.05M	30
747521401	4M ±0.05M	30
747521501	5M ±0.08M	30
747521601	6M ±0.08M	30
747521701	7M ±0.08M	30
747521801	8M ±0.08M	30
747521901	9M ±0.08M	30
747529001	10M ±0.08M	30
747529009	15M ±0.08M	30
747522031	0.3M ±0.03M	28
747522051	0.5M ±0.03M	28
747522101	1M ±0.05M	28
747522151	1.5M ±0.05M	28
747522201	2M ±0.05M	28
747522301	3M ±0.05M	28
747522401	4M ±0.05M	28
747522501	5M ±0.08M	28
747522701	7M ±0.08M	28
747522801	8M ±0.08M	28
747522901	9M ±0.08M	28
747529002	10M ±0.08M	28
747529010	15M ±0.08M	28
747529011	20M ±0.08M	28

PART NUMBER	LENGTH	AWG
747523051	0.5M ±0.03M	26
747523061	0.6M ±0.03M	26
747523101	1M ±0.05M	26
747523201	2M ±0.05M	26
747523301	3M ±0.05M	26
747523501	5M ±0.08M	26
747523701	7M ±0.08M	26
747523901	9M ±0.08M	26
747529003	10M ±0.08M	26
747524051	0.5M ±0.03M	24
747524101	1M ±0.05M	24
747524201	2M ±0.05M	24
747524301	3M ±0.05M	24
747524401	4M ±0.05M	24
747524501	5M ±0.08M	24
747524601	6M ±0.08M	24
747524701	7M ±0.08M	24
747524801	8M ±0.08M	24
747524901	9M ±0.08M	24
747529004	10M ±0.08M	24
747529013	11M ±0.08M	24
747529008	12M ±0.08M	24
747529015	13M ±0.08M	24
747529016	14M ±0.08M	24
747529007	15M ±0.08M	24
747529012	20M ±0.08M	24

ADDED P/N -2401 EC NO: USY2010-0597 DRWN:BCHEM06_USY 2010/06/02 CHKD:KLOYD 2010/06/02 APPR:RMAHMOOD 2010/06/15	QUALITY SYMBOLS	GENERAL TOLERANCES (UNLESS SPECIFIED) <table border="1"> <tr> <th></th> <th>mm</th> <th>INCH</th> </tr> <tr> <td>4 PLACES</td> <td>± ---</td> <td>± ---</td> </tr> <tr> <td>3 PLACES</td> <td>± ---</td> <td>± ---</td> </tr> <tr> <td>2 PLACES</td> <td>± ---</td> <td>± ---</td> </tr> <tr> <td>1 PLACE</td> <td>± ---</td> <td>± ---</td> </tr> </table>		mm	INCH	4 PLACES	± ---	± ---	3 PLACES	± ---	± ---	2 PLACES	± ---	± ---	1 PLACE	± ---	± ---	DIMENSION STYLE	SCALE	DESIGN UNITS	THIRD ANGLE PROJECTION
			mm	INCH																	
	4 PLACES	± ---	± ---																		
	3 PLACES	± ---	± ---																		
2 PLACES	± ---	± ---																			
1 PLACE	± ---	± ---																			
▼=0 ▽=0	DRAWN BY JERWIN DATE 2007/01/30	DIMENSION STYLE MM ONLY	1:1	METRIC	SFP+ PASSIVE 10G CABLE ASSEMBLY																
DESCRIPTION N	CHECKED BY KLOYD DATE 2007/01/30	APPROVED BY RMAHMOOD DATE 2007/01/30	MOLEX INCORPORATED																		
	DRAFT WHERE APPLICABLE MUST REMAIN WITHIN DIMENSIONS	MATERIAL NO. SEE CHART	DOCUMENT NO. SD-74752-001	SHEET NO. 2 OF 2																	