



The Americas

Hypertronics Corporation

16 Brent Drive
Hudson, MA 01749 USA
t: +1 978 568 0451
f: +1 978 568 0680
e: info@hypertronics.com

Asia

Hypertac China

Room A, Floor 14, East Ocean Center
No. 618 Yan'an Road East
Shanghai 200001, P.R. China
t: +86-21-33184650
f: +86-21-53854506
e: infochina@hypertronics.com

Hypertac India

c/o John Crane Sealing
Systems India Pvt. Ltd.
No.11, 1st Phase Peenya
Industrial Area
Bangalore-560058, India
t: +91 80 2839 2200
f: +91 80 2839 8205/06
e: info@hypertac.fr

Europe

Hypertac Limited

Waterloo Road,
London NW2 7UH, UK
t: +44 (0) 20 8450 8033
f: +44 (0) 20 8208 4114
e: info@hypertac.uk

Hypertac SpA

Via P.D. Da Bissone 7A,
16153 Genova-Sestri P., Italy
t: +39 0 10 60361
f: +39 0 10 6036280
e: info@hypertac.it

Hypertac GmbH

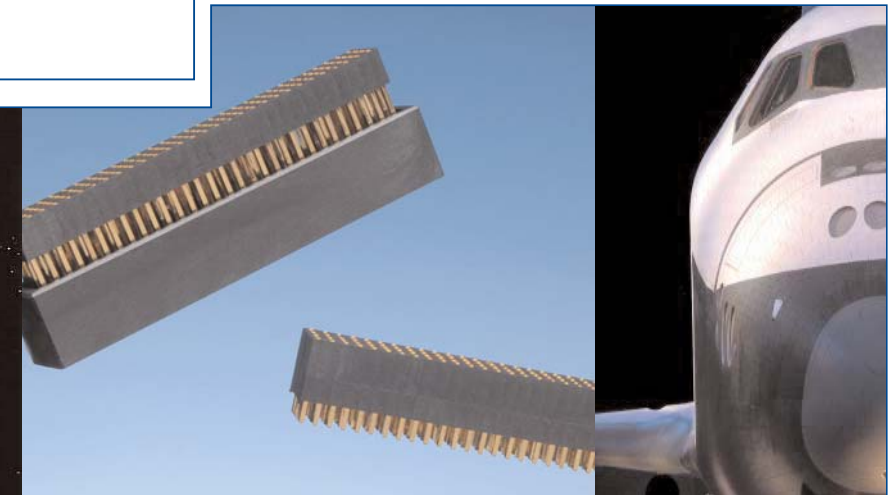
Ulrichsbergerstraße 17,
94469 Deggendorf, Germany
t: +49 (0) 991 250120
f: +49 (0) 991 2501244
e: info@hypertac.de

Hypertac S.A.

31 rue Isidore Maille,
76410 St. Aubin Lès Elbeuf, France
t: +33 (0) 2 32969176
f: +33 (0) 2 32969170
e: info@hypertac.fr

FOR FURTHER INFORMATION VISIT
www.hypertronics.com

Distributor



PC/104+ CONNECTORS

SUPPLEMENT TO HYPERTRONICS 2006 FULL LINE CATALOG



Hypertronics. When failure is not an option.

Hypertronics has been the leader in the design, manufacturing and distribution of high reliability connectors for the electronics industry since 1970. As part of Smiths Group, a multinational company headquartered in the UK, Hypertronics specializes in providing highly engineered connector solutions to global niche markets and applications requiring unflinching performance and reliability.

High Reliability Connectors - Hypertac® Technology

All of Hypertronics products are built upon the patented Hypertac Contact design, which outperforms other interconnect options in terms of performance reliability, number of mating cycles, contact forces, contact resistance, and value. Hypertac contacts feature a hyperboloid-shaped basket of individual spring wires that provide up to 100,000 mating cycles, nearly half the resistance of conventional contact designs, immunity to shock and vibration, extremely low insertion/extraction forces, and 360-degree wiping action.

To Meet or Exceed Our Customers' Expectations

Hypertronics provides customers with the highest degree of engineering, manufacturing and customer service in order to meet the industry's most demanding application requirements. Hypertronics is ISO 9001 certified.

Custom Connector Designs

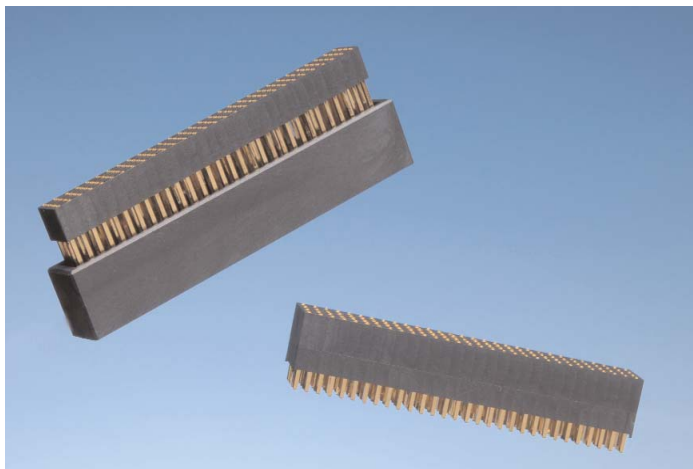
The company's expertise is in the precision design and manufacturing of electronic interconnect systems. Hypertronics engineers work directly with customers to develop unique solutions that address specific customer needs and industry requirements. The combination of engineering talent and in-house manufacturing capabilities, such as 3D solid modeling, rapid prototyping and high precision assembly, provide customers with quick turnaround on custom designs.

Custom Cable Assemblies

Hypertronics provides end-to-end solutions for OEMs that require unsurpassed reliability from both the connectors and the cabling. Hypertronics' complete solutions also eliminate the need for customers to procure from multiple sources, resulting in a shorter supply chain and cost effective system designs.

Environmental Policy

Hypertronics is a world class manufacturer and provider of interconnect solutions and is committed to comply with all applicable environmental legislation and regulations. Hypertronics is dedicated to continuous improvement in its interaction with the environment including the prevention of pollution. Hypertronics is ISO 14001 certified.

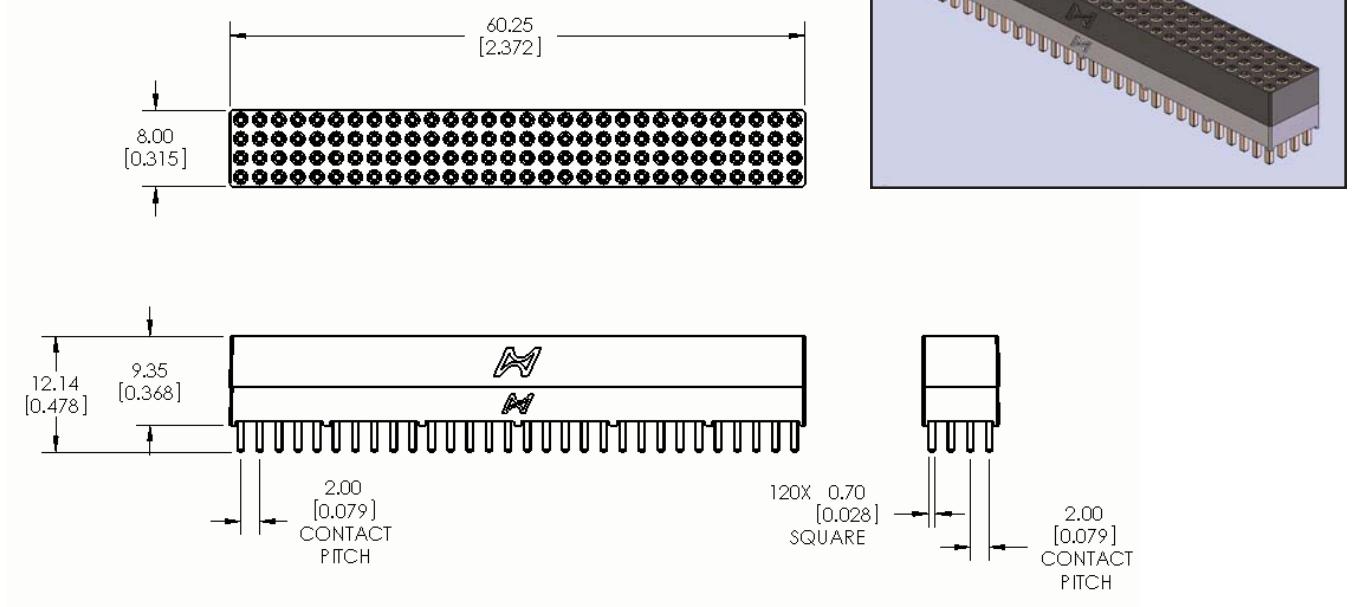


PCI-104 Style Architecture, Stackable Connector:

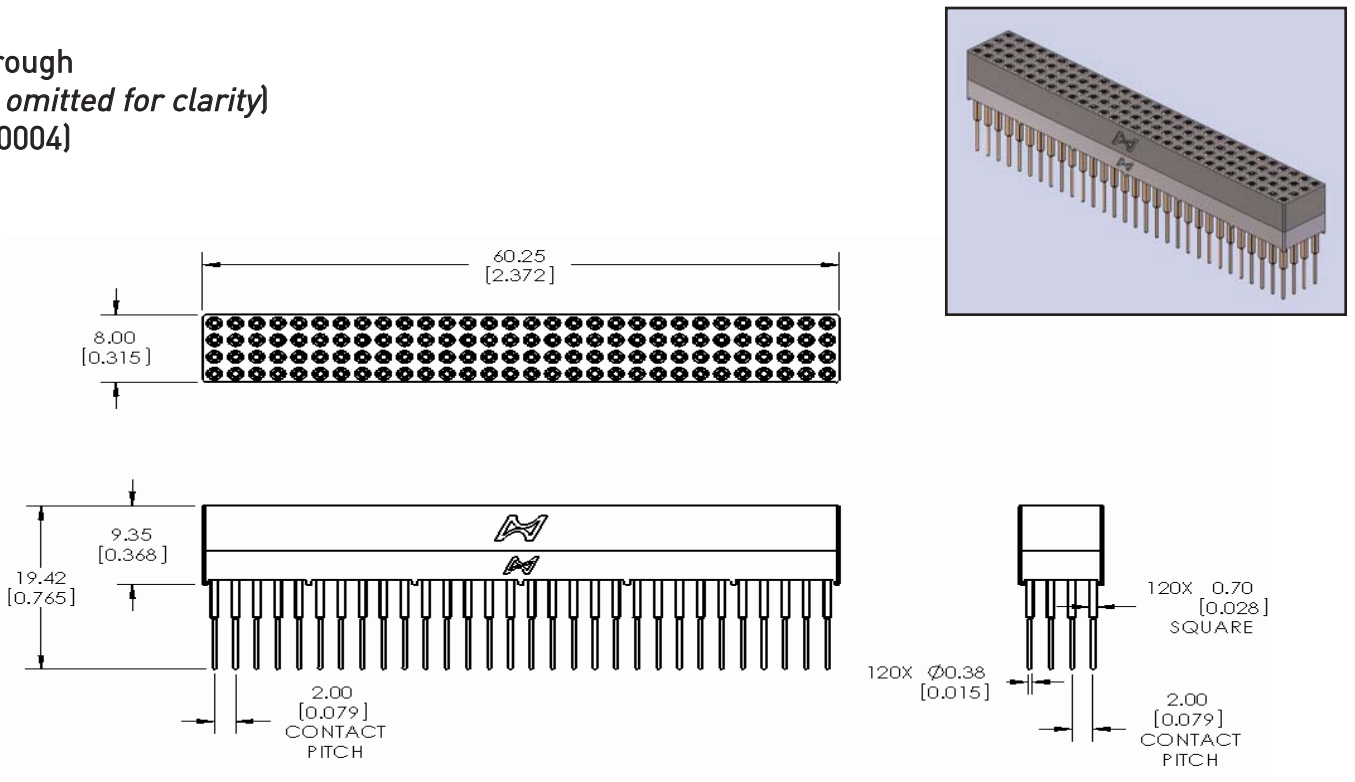
- 2mm centerline, 4 X 30 contact grid (120 total contact positions)
- Up to 1 Amp per contact
- Insulator material meets NASA outgassing specifications
- Designed for ruggedized applications
- Contact tails incorporate a unique cross-section which allows for both press-fit and solder termination
- System is both compliant and compatible with the industry standard PCI-104 bus
- Accommodates both standard and custom PC board spacing designs by utilizing multiple pin carriers and contact tail lengths
- Ability to match impedance allows for improved signal integrity
- Meets proposed SPACE-104 standards

General Specifications	
Part Reference Number	Non-Stackthrough: KS120-0003; Stackthrough: KS120-0004
Design Criteria	PC/104-Plus Specification Version 2.0, November 2003
Contact Mating Diameter	0.40mm (.016")
Current Rating	1 Amp Continuous
Contact Resistance	< 8 milliohms
Contact Insertion/Extraction Forces	Insertion: 1.28 oz. max; Extraction: 1.6 oz. max per contact
Contact Life Cycle	Up to 100,000 Mating Cycles
Breakdown Voltage Between Contacts	1950 V max
Operating Voltage	1463 V max
Material & Plating (contacts only)	Socket End: Beryllium Copper wires and Brass body components. 50 micro inches of gold over nickel on wires, gold flash over nickel on all other socket components. Tail (mating) End: Phosphor Bronze; 50 micro inches of gold over 50 micro inches of nickel
Shock & Vibration (contacts only)	Vibration testing to MIL-DTL-55302 para. 4.5.10 Shock testing to MIL-DTL-55302 para. 4.5.14
Insulation Resistance	> 5000 megohms @ 500 VDC
Insulator Material	30% Glass-filled LCP (meets NASA outgassing specifications)
Flammability Rating	UL94-V0
Operating Temperature	-55° C to + 125° C
Suggested PCB Mounting Hole Diameter (plated)	.035 ± .003 (in.); 0.88 ± 0.08 (mm.)

**Non-Stackthrough
(KS120-0003)**

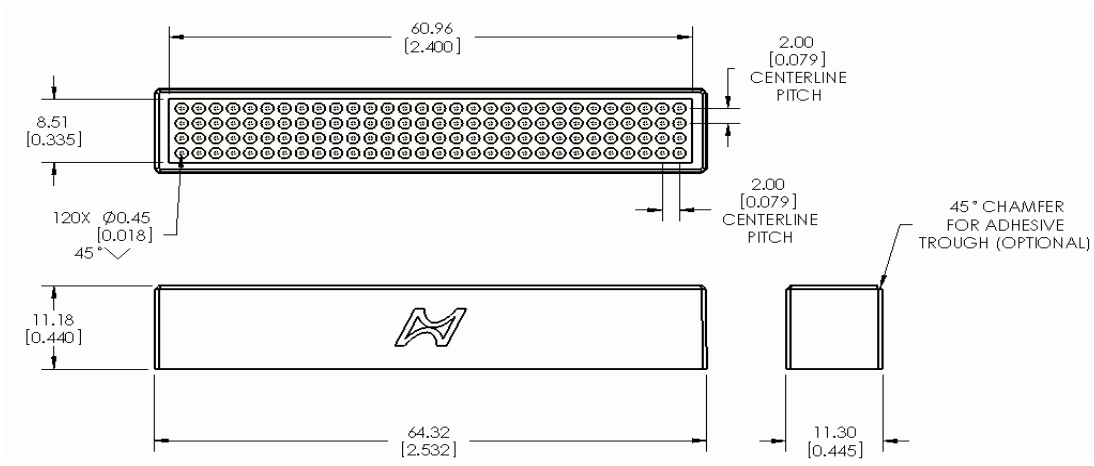
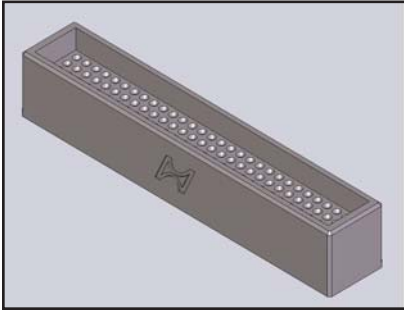


**Stackthrough
(Shroud omitted for clarity)
(KS120-0004)**

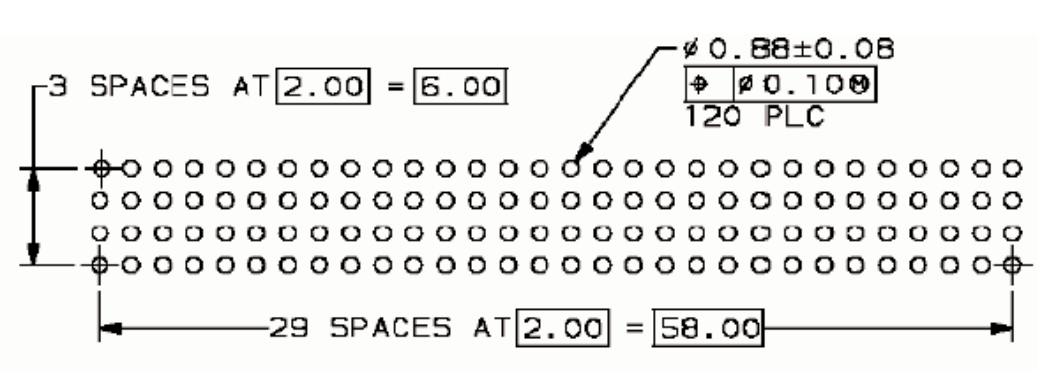


NOTES: Dimensions in mm [inches]

Shroud
(ZKS120-003)

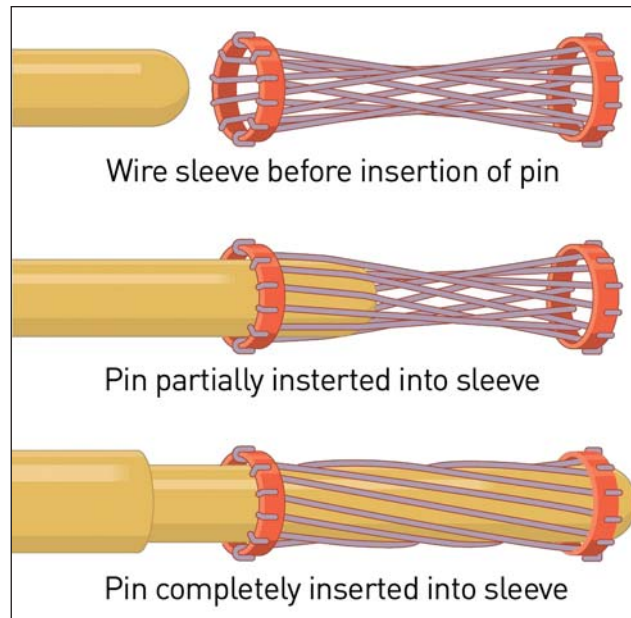


Recommended PCB Mounting
Footprint (plated holes)



NOTES: Dimensions in mm [inches]

Hypertac® High Performance Contact System



Hypertronics' connectors are built upon the legendary Hypertac Contact technology. These contacts feature a hyperboloid-shaped basket of individual spring wires that is wrapped at an angle to the socket's axis. When the pin is inserted into this wire contact sleeve, the wires stretch around it, providing a number of linear contact paths.

Hypertac is an advanced contact design that satisfies performance requirements previously considered impossible to meet. The superior design of the Hypertac contact system offers many features and benefits.

Hypertac contacts provide up to 100,000 mating cycles, approximately half the resistance of conventional contact designs, immunity to shock and vibration, extremely low insertion and extraction forces, and 360-degree wiping action.

