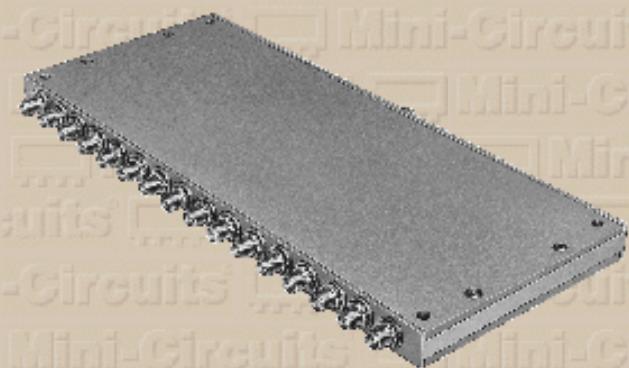


Power Splitter



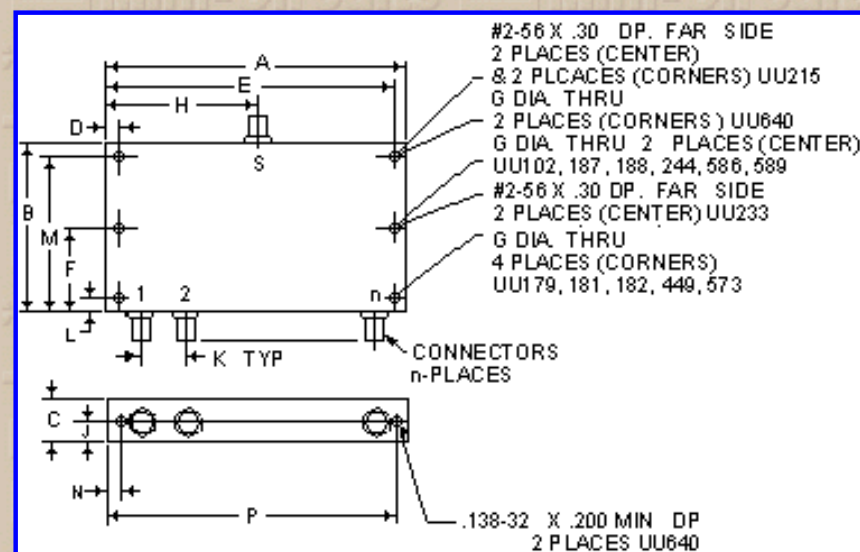
Notes:

- Non-catalog model. Please consult factory for price and delivery.
- General Quality Control Procedures and Environmental Specifications are given in [Mini-Circuits Guarantees Quality](#).
Hi-Rel, MIL description are given in [Hi-Rel and MIL](#)
- Prices and Specifications subjects to change without notice.

ZC16PD-ED7691 16 Way-0°

Frequency MHz	Isolation, dB						Insertion Loss, dB Above 12.0dB						Phase Unbalance Degrees			Amplitude Unbalance, dB		
	L		M		U		L		M		U		L	M	U	L	M	U
$f_L - f_U$	Typ.	Min.	Typ.	Min.	Typ.	Min.	Typ.	Max.	Typ.	Max.	Typ.	Max.	Max.	Max.	Max.	Max.	Max.	Max.
725-1006																		

L=low range(f_L to $10f_L$) M=mid range($10f_L$ to $f_U/2$) U=upper range($f_U/2$ to f_U)



FREQ (MHz)	Insertion Loss (dB) S-1	Amplitude Unbalance (dB)	Isolation (dB)		Phase Unbalance (Degrees)	FREQ (MHz)	VSWR S	VSWR 1
			1-2	4-5				
725.00	12.47	0.430	15.19	28.40	2.80	725.00	1.33	1.07
753.13	12.60	0.420	16.23	28.87	2.88	753.13	1.39	1.08
781.25	12.43	0.410	17.39	29.72	3.05	781.25	1.41	1.09
809.38	12.58	0.400	18.58	30.75	3.14	809.38	1.39	1.10
837.50	12.69	0.400	19.89	32.04	3.18	837.50	1.34	1.10
865.63	12.33	0.420	21.34	33.37	3.30	865.63	1.27	1.10
893.75	12.52	0.400	23.29	35.02	3.47	893.75	1.19	1.10
921.88	12.48	0.380	25.61	36.97	3.45	921.88	1.12	1.10
950.00	12.41	0.430	28.16	39.20	3.59	950.00	1.06	1.10
952.22	12.39	0.430	28.35	39.40	3.67	952.22	1.05	1.09
954.44	12.39	0.410	28.56	39.57	3.59	954.44	1.05	1.09
956.67	12.38	0.410	28.77	39.75	3.72	956.67	1.05	1.09
958.89	12.38	0.420	28.96	39.95	3.72	958.89	1.05	1.09
961.11	12.37	0.420	29.16	40.22	3.66	961.11	1.05	1.09
963.33	12.36	0.410	29.34	40.43	3.62	963.33	1.05	1.09
965.56	12.37	0.420	29.52	40.57	3.70	965.56	1.05	1.09
967.78	12.36	0.430	29.67	40.74	3.73	967.78	1.06	1.09
970.00	12.37	0.410	29.84	41.08	3.72	970.00	1.06	1.09
987.69	12.40	0.410	30.56	42.34	3.82	987.69	1.10	1.09
1005.39	12.41	0.390	30.15	42.93	3.84	1005.39	1.15	1.09

Case Style - UU179 (inch,mm) weight: 710 grams.

A	B	C	D	E	F	G	H	J
8.50	3.95	.75	.250	8.250	.187	4.250	.38	
215.900	100.330	19.050	6.350	209.550	4.750	107.950	9.652	
K	L	M	N	P	Q	R	S	T
.500	.475	3.475						
12.700	12.065	88.265						

Tolerance: .x ± .1 .xx ± .03 .xxx ± .015 inch.

Material and Finish:

Case material: aluminum alloy. Finish: iridite per MIL-C-5541

Connectors:

Connectors: Female SMA only.



INTERNET <http://www.minicircuits.com>

P.O.Box 350166, Brooklyn, New York 11235-0003 (718) 934-4500 Fax (718) 332-4661

Distribution Centers NORTH AMERICA 800-654-7949 • 417-335-5935 • Fax 417-335-5945 • EUROPE 44-1252-832600 • Fax 44-1252-837010

ISO 9001 CERTIFIED

[Back](#)

i2 Technologies US, Inc.

HTML Pages converted to PDF Document

This document contain component information from the manufacturer's website which are not available in a revision controlled document from the manufacturer. To facilitate the addition of these parts into the Electronics Database, we are converting the HTML pages related to that part, from the manufacturer's website into Adobe PDF format. The contents of this document is based on the information provided on the manufacturer's website, therefore the information may have been changed by the manufacturer since this was created.

