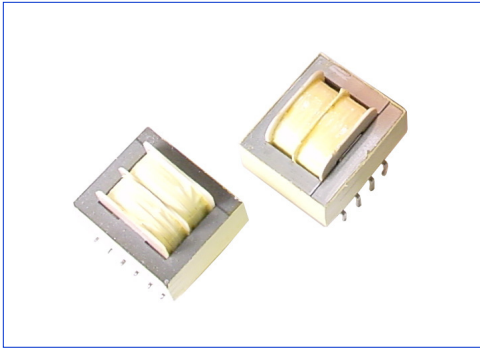


2.4VA 50Hz/60Hz LINE TRANSFORMER



P8E2R4VA SERIES

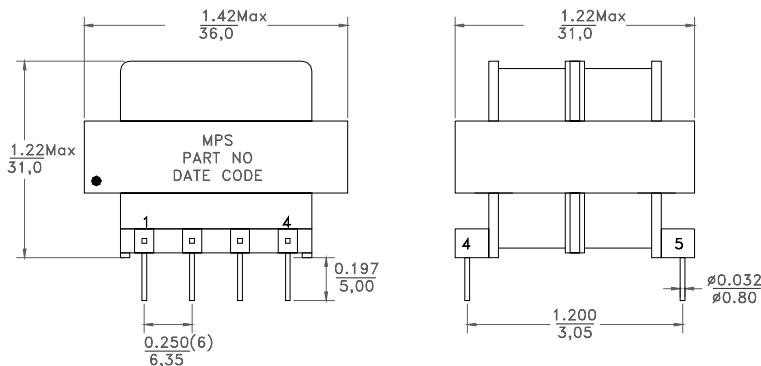


- RoHS Compliant Product
- Hipot: 2500V_{RMS} (Primaries to Secondaries)
- Class A (105°C) UL1411 equivalent
- Operating Temperature: -40°C to +105°C

ELECTRICAL SPECIFICATION @ 25°C

Primary	Secondary RMS Rating			
115V input (1+3, 2+4) 230V input (1-4 with 2+3)	Series Output (5-8) Connect 6+7		Parallel Output (5-8) Connect 5+7, 6+8	
Part No	Voltage	Current	Voltage	Current
P8E2R4VA-	(V)	(A)	(V)	(A)
10	10	0.250	5	0.500
12R6	12.6	0.200	6.3	0.400
16	16	0.150	8	0.300
20	20	0.120	10	0.240
24	24	0.100	12	0.200
28	28	0.085	14	0.170
36	36	0.065	18	0.130
48	48	0.050	24	0.100
56	56	0.045	28	0.090
120	120	0.020	60	0.040

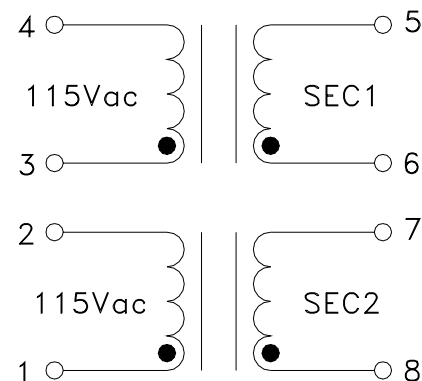
Mechanical



Dimensions

Unless otherwise specified, all tolerances are:
 inch: .XX : ± 0.015 .XXX : ± 0.004
 mm: X,X : ± 0,38 X,XX : ± 0,10

Schematic



Product performance is limited to specified parameter. Data is subject to change without prior notice.

P8E2R4VA-XXX
06061W

2463 208th, Ste. 205
Torrance, CA 90501

Phone: (310)533-1455
Fax: (310)533-1853

<http://www.mpsind.com>
Email: sales@mpsind.com