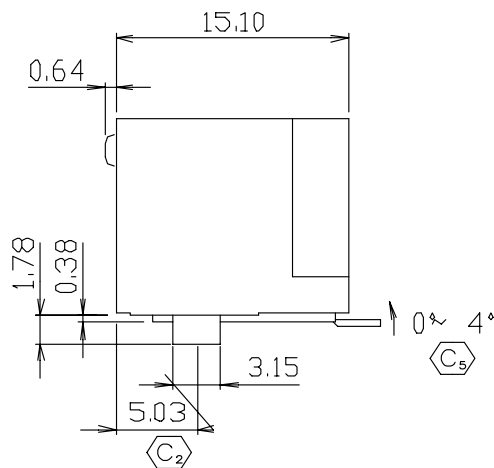
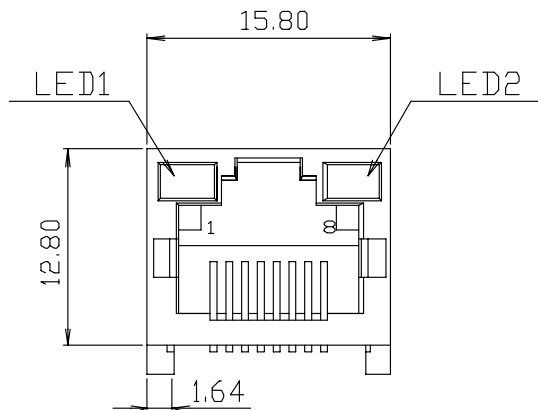


REVISION A



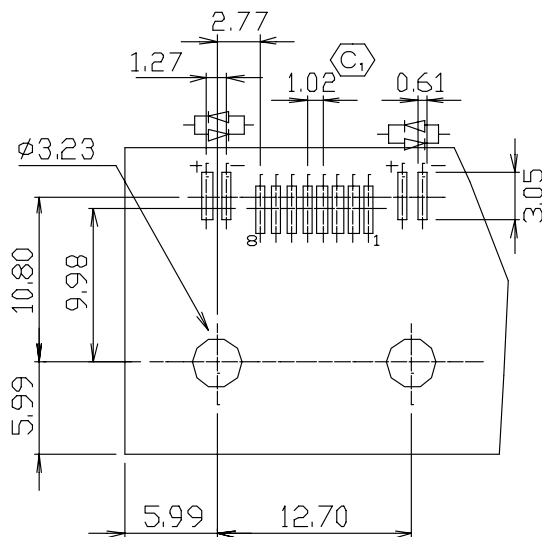
MODS-F-8P8C-X-XX-SM

TYPE -F SURFACE MOUNT
 POSITIONS/CONTACTS -8P8C: 8 Pos/8 Con LED DESIGNATION Code (See Table 1)

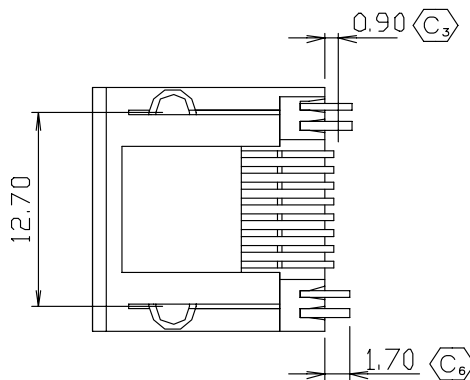
C4 PLATING
 -S: .000015" Gold
 -L: .000030" Gold
 -E: .000050" Gold

TABLE 1

Code	Forward	Reverse	Code	Forward	Reverse
G	Green	----	2	Yellow	Orange
Y	Yellow	----	3	Green	Red
1	Green	Orange	4	Yellow	Red



PCB LAYOUT



DO NOT SCALE FROM THIS PRINT

NOTES:

1. C REPRESENTS CRITICAL DIMENSION.
2. CRITICAL DIMENSIONS ON PCB LAYOUT APPLY TO THE ASSEMBLY

UNLESS OTHERWISE SPECIFIED, DIMENSIONS ARE IN MM. TOLERANCES ARE:
 DECIMALS ANGLES
 .X: ±.25 2°
 .XX: ±.13
 .XXX: ±.05

PROPRIETARY NOTE
 THIS DOCUMENT CONTAINS INFORMATION CONFIDENTIAL AND PROPRIETARY TO SAMTEC INC. AND SHALL NOT BE REPRODUCED OR TRANSFERRED TO OTHER DOCUMENTS OR DISCLOSED TO OTHERS OR USED FOR ANY PURPOSE OTHER THAN THAT FOR WHICH IT WAS OBTAINED WITHOUT THE EXPRESSED WRITTEN CONSENT OF SAMTEC INC.



520 PARK EAST BLVD. NEW ALBANY, IN 47150
 (812) 944-6733 P.O. BOX 1147 TWX: 810-540-4085

CODE: 55322

DO NOT SCALE DRAWING
 INSULATOR: Nylon 46
 SPRING WIRE: .35mm Phos Bronze

SHEET SCALE: 1:2

DESCRIPTION:
 RJ45 Side Entry PCB Jack with LED

MAX FLASH ALLOWED: .002
 MAX GATE VESTIGE: .002

DWG. NO.
 MODS-F-8P8C-X-XX-SM

F:\DWG\misc\mktg

BY: J. Riley 02/3/04 SHEET 1 OF 1