



Technical Data Sheet Power Top View LED with Lens.

67-31J/T2C-EZ01Z12MZ3/BT

Features

- P-LCC-3 package.
- High flux output.
- High current capability.
- White package.
- Optical indicator.
- Colorless clear window.
- Ideal for backlight and light pipe application.
- Inter reflector.
- Suitable for automatic placement equipment.
- Suitable for reflow and wave solder processes.
- Available on tape and reel (12mm Tape).
- Pb-free.
- The product itself will remain within RoHS compliant version.



Descriptions

The 67-31F series is available in soft orange, red and yellow. Due to the package design, the LED has wide viewing angle and optimized light coupling by inter reflector.

This feature makes the ideal for light pipe application. The low current requirement makes this device ideal for portable equipment or any other application where power is at a premium.

Applications

- Indicator and backlight for audio and video equipment.
- Indicator and backlight in office and family equipment.
- Flat backlight for LCD's, switches and symbols.
- Light pipe application.
- General use.

Device Selection Guide

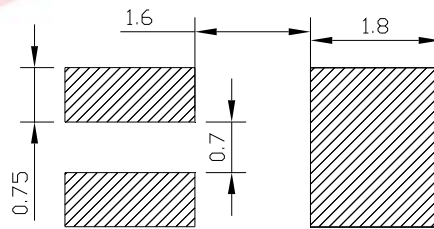
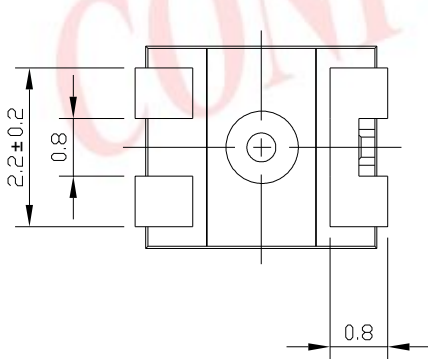
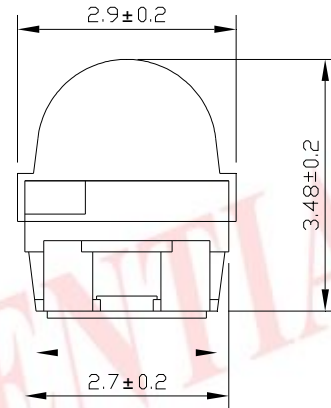
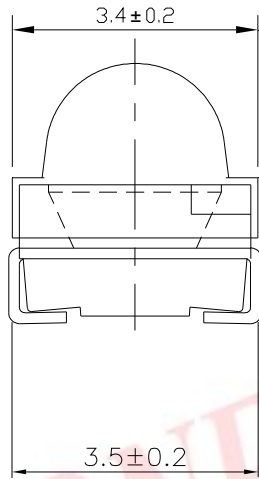
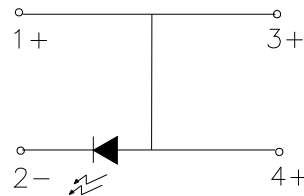
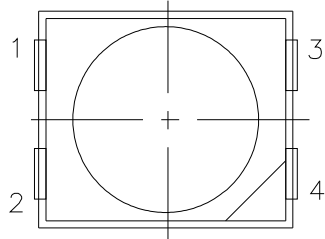
Chip		Lens Color
Material	Emitted Color	
InGaN	White	Water Clear



Technical Data Sheet
Power Top View LED with Lens.

67-31J/T2C-EZ01Z12MZ3/BT

Package Dimensions



Note: The tolerances unless mentioned is $\pm 0.1\text{mm}$; Unit = mm



Technical Data Sheet

Power Top View LED with Lens.

67-31J/T2C-EZ01Z12MZ3/BT

Absolute Maximum Ratings ($T_A=25$)

Parameter	Symbol	Rating	Unit
Reverse Voltage	V_R	5	V
Forward Current	I_F	30	mA
Peak Forward Current(Duty 1/10 @1KHz)	I_{FP}	100	mA
Power Dissipation	P_d	110	mW
Electrostatic Discharge(HBM)	ESD	2000	V
Operating Temperature	T_{opr}	-40 ~ +85	
Storage Temperature	T_{stg}	-40 ~ +90	
Soldering Temperature	T_{sol}	Reflow Soldering : 260 Hand Soldering : 350	for 10 sec. for 3 sec.

Electronic Optical Characteristics:

Parameter	Symbol	Min.	Typ.	Max.	Units	Condition
Luminous Intensity	I_v	4500	-----	11500	mcd	$I_F=30mA$
Viewing Angle	2 1/2	--	30	--	deg	$I_F=30mA$
Forward Voltage	V_F	2.75	-----	3.95	V	$I_F=30mA$

Notes:

1. Tolerance of Luminous Intensity: $\pm 11\%$
2. Tolerance of Forward Voltage: $\pm 0.1V$



Technical Data Sheet
Power Top View LED with Lens.

67-31J/T2C-EZ01Z12MZ3/BT

Bin Range of Luminous Intensity

Bin	Min	Max	Unit	Condition
Z01	4500	5700	mcd	I _F =30mA
Z02	5700	7200		
Z11	7200	9100		
Z12	9100	11500		

Bin Range of Forward Voltage

Group	Bin	Min	Max	Unit	Condition
M	5	2.75	2.05	V	I _F =30mA
	6	3.05	3.35		
	7	3.35	3.65		
	8	3.65	3.95		

Notes:

1. Tolerance of Luminous Intensity: $\pm 11\%$
2. Tolerance of Forward Voltage: $\pm 0.1V$

CONFIDENTIAL



Technical Data Sheet
Power Top View LED with Lens.

67-31J/T2C-EZ01Z12MZ3/BT

CIE Chromaticity Rank (I_F=30mA)

Group	Bin Code	CIE_x	CIE_y	Bin Code	CIE_x	CIE_y	
E	A0	0.280	0.248	B6	0.311	0.294	
		0.264	0.267		0.307	0.315	
		0.283	0.305		0.330	0.339	
		0.296	0.276		0.330	0.318	
	B3	0.287	0.295	B4	0.307	0.315	
		0.283	0.305		0.304	0.33	
		0.304	0.330		0.33	0.36	
		0.307	0.315		0.33	0.339	
	B5	0.296	0.276	CONFIDENTIAL			
		0.287	0.295				
		0.307	0.315				
		0.311	0.294				

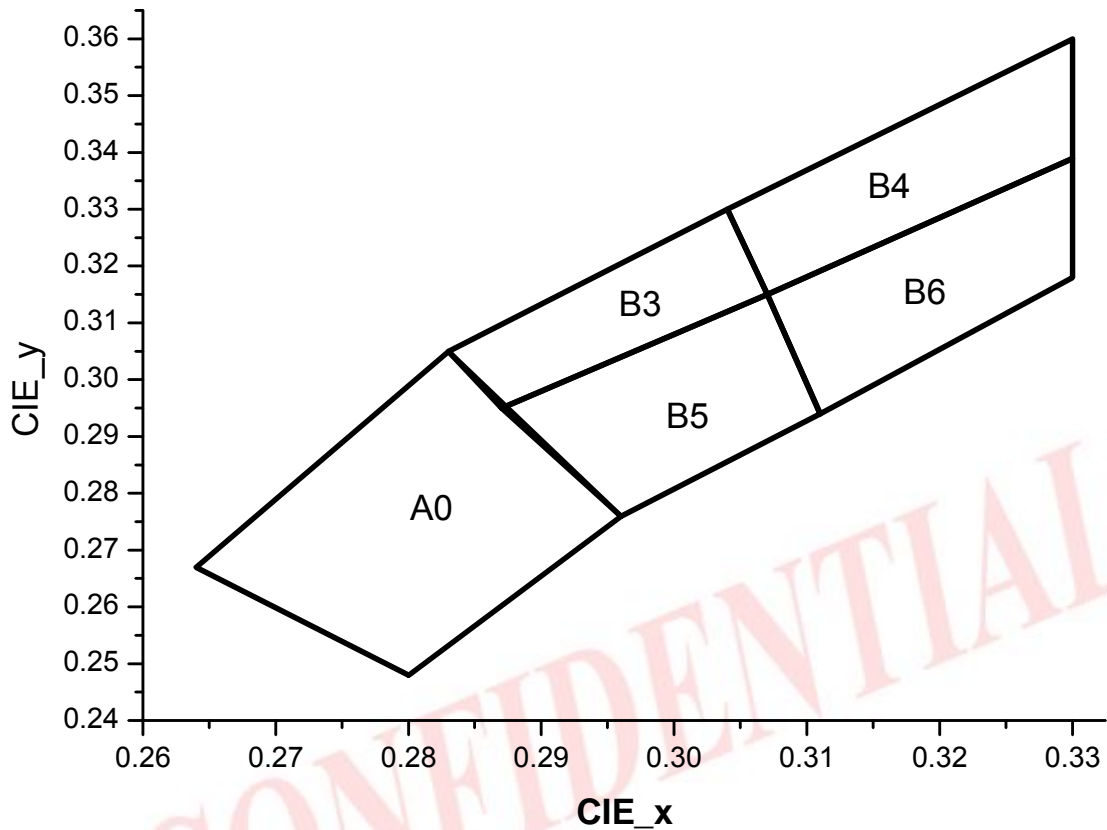
*The C.I.E. 1931 chromaticity diagram (Tolerance ±0.01).



Technical Data Sheet
Power Top View LED with Lens.

67-31J/T2C-EZ01Z12MZ3/BT

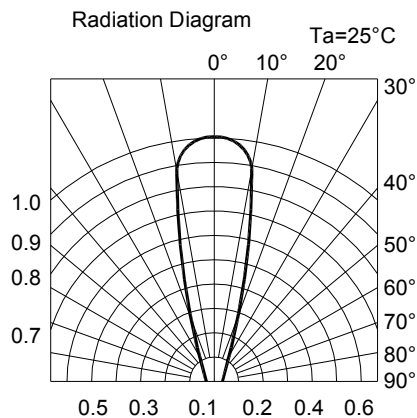
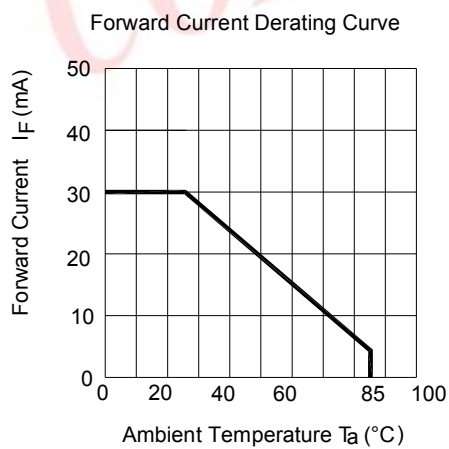
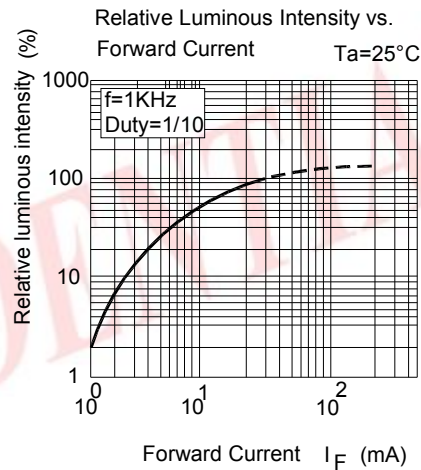
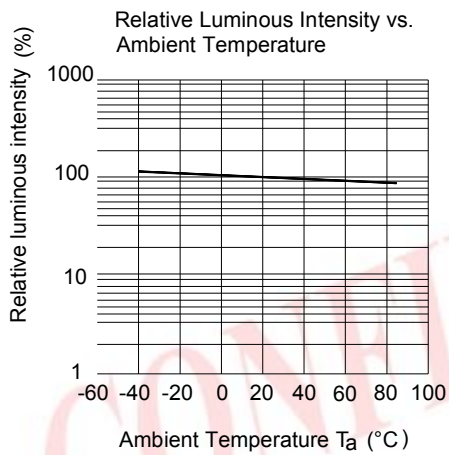
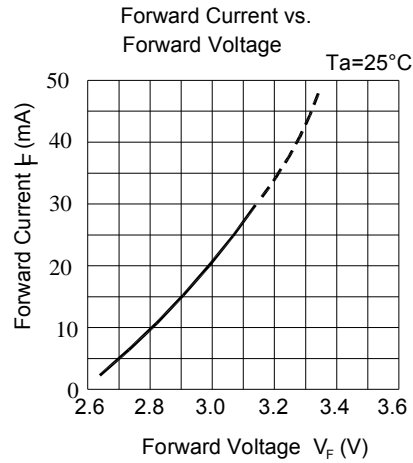
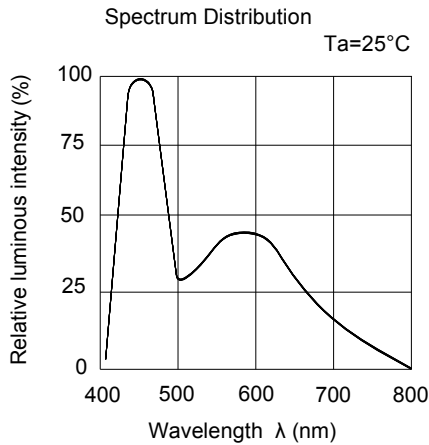
CIE Chromaticity Diagram



Technical Data Sheet
Power Top View LED with Lens.

67-31J/T2C-EZ01Z12MZ3/BT

Typical Electro-Optical Characteristic Curves





Technical Data Sheet
Power Top View LED with Lens.

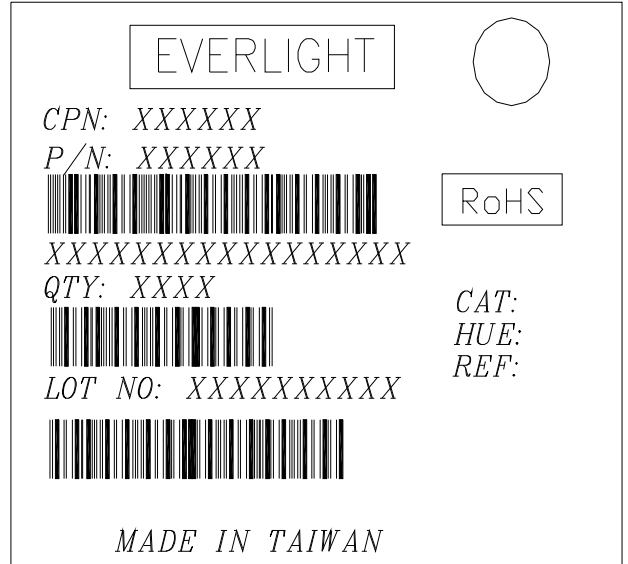
67-31J/T2C-EZ01Z12MZ3/BT

Label Explanation

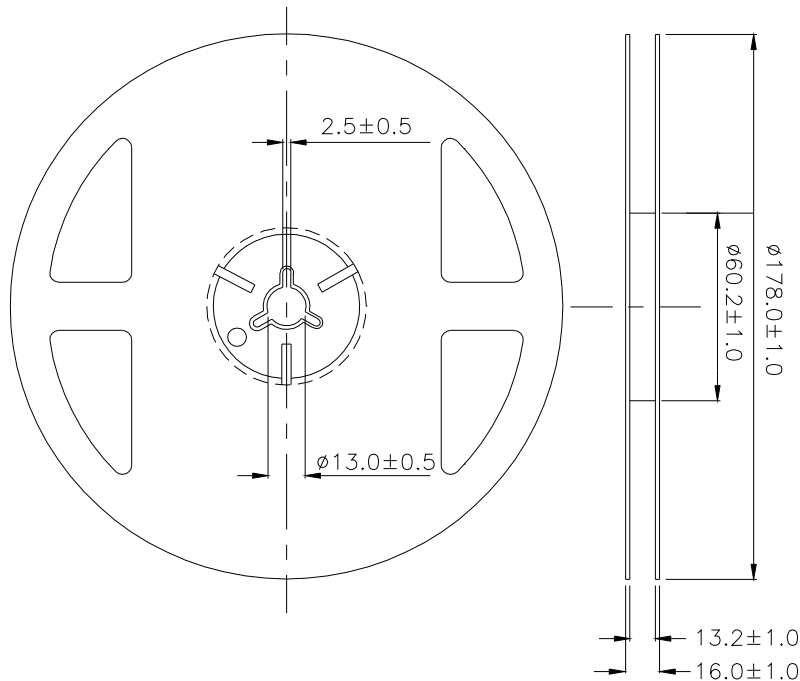
CAT: Luminous Intensity Rank

HUE: Chromaticity Coordinates

REF: Forward Voltage Rank



Reel Dimensions



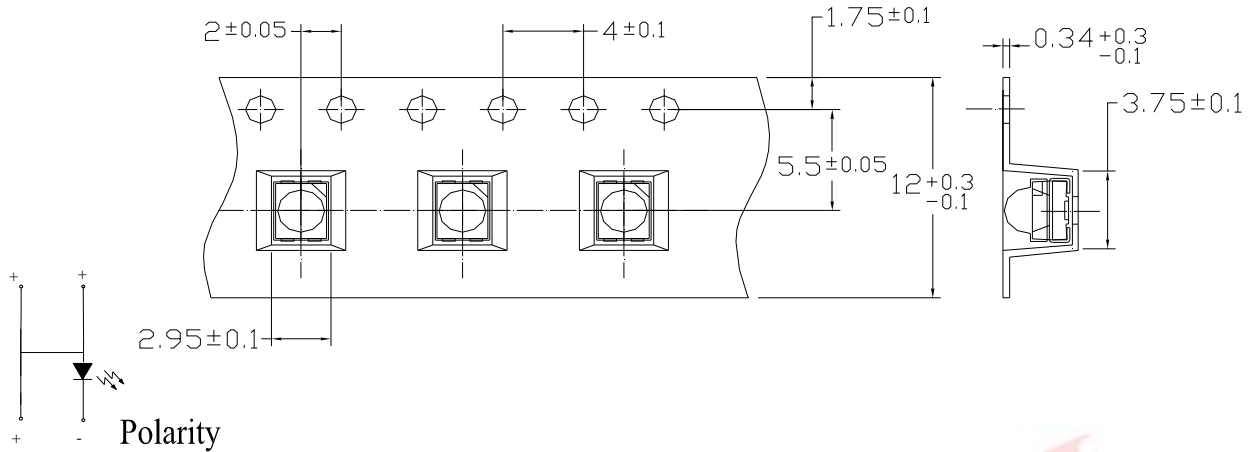
Note: The tolerances unless mentioned is ± 0.1 mm; Unit = mm



Technical Data Sheet
Power Top View LED with Lens.

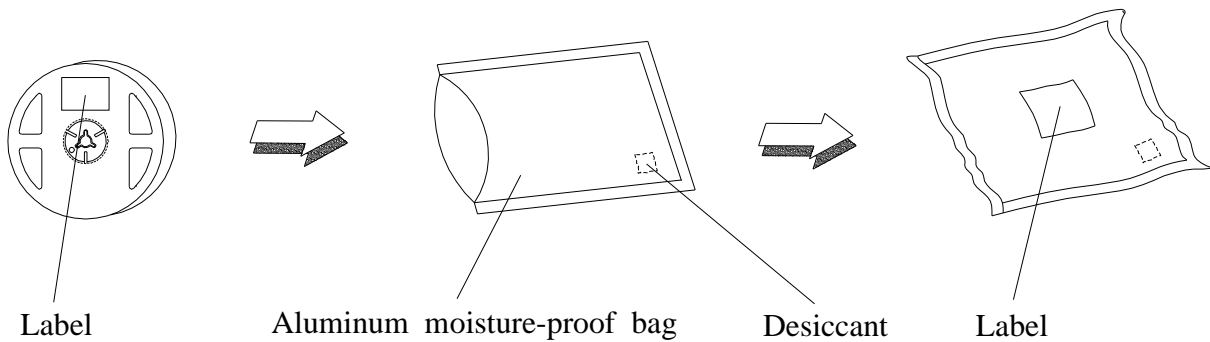
67-31J/T2C-EZ01Z12MZ3/BT

Carrier Tape Dimensions; Loaded Quantity 500 pcs Per Reel



Note: The tolerances unless mentioned is ± 0.1 mm; Unit = mm

Moisture Resistant Packaging





Technical Data Sheet

Power Top View LED with Lens.

67-31J/T2C-EZ01Z12MZ3/BT

Reliability Test Items and Conditions

The reliability of products shall be satisfied with items listed below.

Confidence level : 90%

LTPD : 10%

No.	Items	Test Condition	Test Hours/Cycles	Sample Size	Ac/Re
1	Reflow Soldering	Temp. : 260 ±5 Min. 5 sec.	6 Min.	22 PCS	0/1
2	Temperature Cycle	H : +100 15min 5 min L : -40 15min	300 Cycles	22 PCS.	0/1
3	Thermal Shock	H : +100 5min 10 sec L : -10 5min	300 Cycles	22 PCS.	0/1
4	High Temperature Storage	Temp. : 100	1000 Hrs.	22 PCS.	0/1
5	Low Temperature Storage	Temp. : -40	1000 Hrs.	22 PCS.	0/1
6	DC Operating Life	I _F = 30 mA / 25	1000 Hrs.	22 PCS.	0/1
7	High Temperature / High Humidity	85 /85%RH	1000 Hrs.	22 PCS.	0/1

Technical Data Sheet

Power Top View LED with Lens.

67-31J/T2C-EZ01Z12MZ3/BT

Precautions for Use

1. Over-current-proof

Customer must apply resistors for protection, otherwise slight voltage shift will cause big current change (Burn out will happen).

2. Storage

2.1 Do not open moisture proof bag before the products are ready to use.

2.2 Before opening the package: The LEDs should be kept at 30 °C or less and 90%RH or less.

2.3 After opening the package: The LED's floor life is 1 year under 30 deg C or less and 60% RH or less.

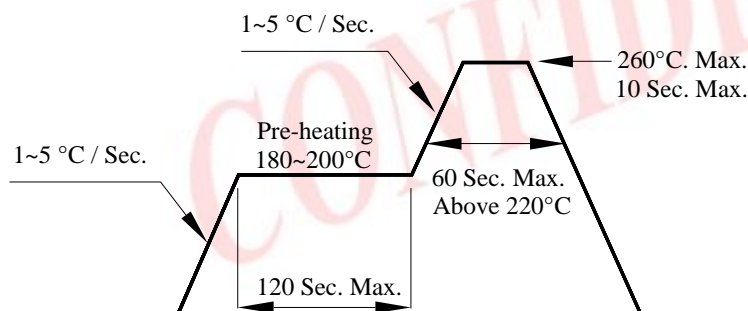
If unused LEDs remain, it should be stored in moisture proof packages.

2.4 If the moisture absorbent material (silica gel) has faded away or the LEDs have exceeded the storage time, baking treatment should be performed using the following conditions.

Baking treatment : 60±5 °C for 24 hours.

3. Soldering Condition

3.1 Pb-free solder temperature profile



3.2 Reflow soldering should not be done more than two times.

3.3 When soldering, do not put stress on the LEDs during heating.

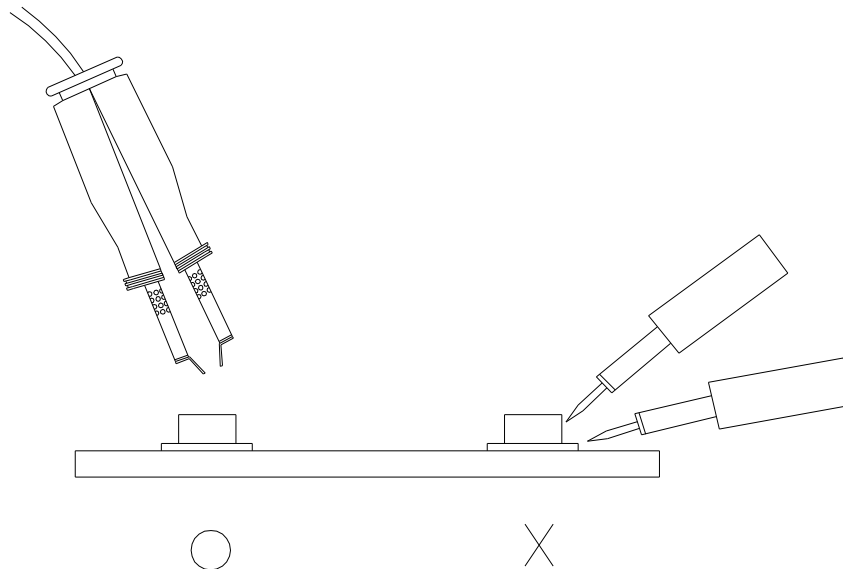
3.4 After soldering, do not warp the circuit board.

Technical Data Sheet
Power Top View LED with Lens.**67-31J/T2C-EZ01Z12MZ3/BT****4. Soldering Iron**

Each terminal is to go to the tip of soldering iron temperature less than 350 for 3 seconds within once in less than the soldering iron capacity 25W. Leave two seconds and more intervals, and do soldering of each terminal. Be careful because the damage of the product is often started at the time of the hand solder.

5. Repairing

Repair should not be done after the LEDs have been soldered. When repairing is unavoidable, a double-head soldering iron should be used (as below figure). It should be confirmed beforehand whether the characteristics of the LEDs will or will not be damaged by repairing.



EVERLIGHT ELECTRONICS CO., LTD.
Office: No 25, Lane 76, Sec 3, Chung Yang Rd,
Tucheng, Taipei 236, Taiwan, R.O.C

Tel: 886-2-2267-2000, 2267-9936
Fax: 886-2267-6244, 2267-6189, 2267-6306
<http://www.everlight.com>