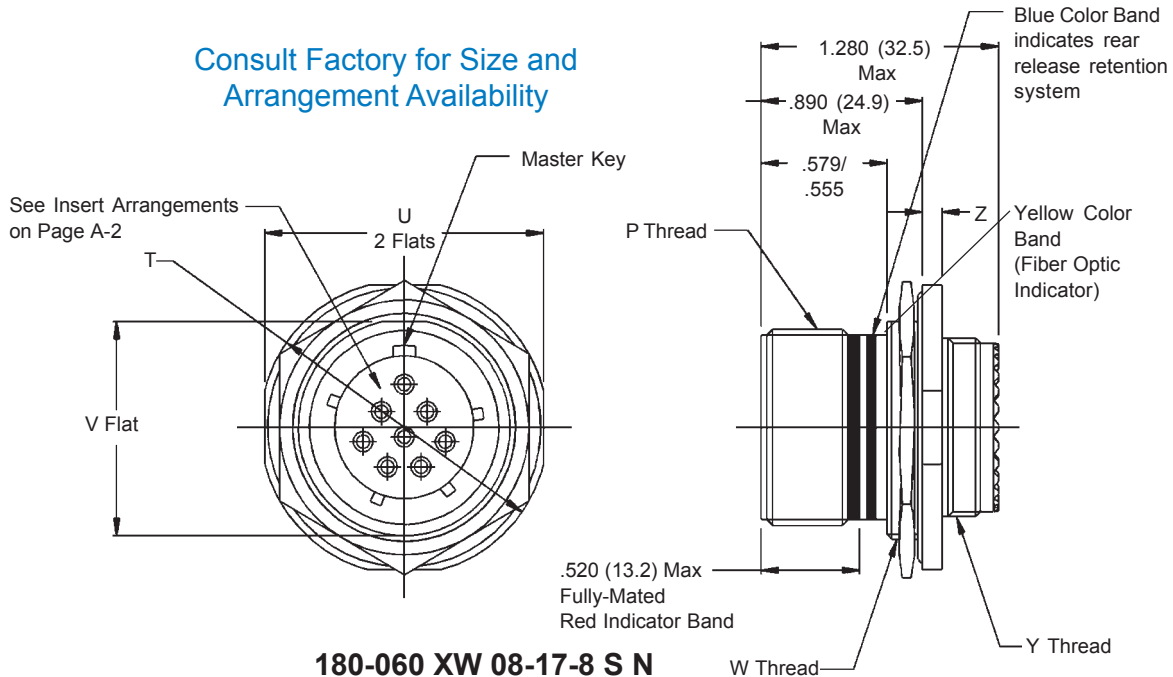




180-060-08 Jam Nut Mounted Receptacle Composite MIL-DTL-38999 Style Fiber Optic Connector For use with MIL-T-29504/4 & /5 Termini

Consult Factory for Size and Arrangement Availability



180-060 XW 08-17-8 S N

Product Series

Basic Number

Finish Symbol (See Table II, Page A-2)

Connector Style

Alternate Key Position per MIL-DTL-38999 A, B, C, D, or E (N = Normal)

Insert Designator P = Pin S = Socket

Insert Arrangement (See page A-2)

Shell Size (Table I)

TABLE I: SHELL SIZE

Shell Size Code	Shell Size	P Thread	T	U	V	W Thread	Y Thread	Z
B	11	.7500-.1P-.3L-TS-2A	1.386 (35.2) 1.362 (34.6)	1.268 (32.2) 1.236 (31.4)	.755 (19.2) .745 (18.9)	M20 x 1.0-6g 0.100R	M15 x 1.0-6g 0.100R	.114 (2.9) .083 (2.1)
C	13	.8750-.1P-.3L-TS-2A	1.512 (38.4) 1.488 (37.8)	1.390 (35.3) 1.358 (34.5)	.942 (23.9) .932 (23.7)	M25 x 1.0-6g 0.100R	M18 x 1.0-6g 0.100R	.114 (2.9) .083 (2.1)
D	15	1.0000-.1P-.3L-TS-2A	1.638 (41.6) 1.614 (41.0)	1.516 (38.5) 1.484 (37.7)	1.066 (27.1) 1.056 (26.8)	M28 x 1.0-6g 0.100R	M22 x 1.0-6g 0.100R	.114 (2.9) .083 (2.1)
E	17	1.1875-.1P-.3L-TS-2A	1.764 (44.8) 1.740 (44.2)	1.642 (41.7) 1.610 (40.9)	1.191 (30.3) 1.181 (30.0)	M32 x 1.0-6g 0.100R	M25 x 1.0-6g 0.100R	.114 (2.9) .083 (2.1)
F	19	1.2500-.1P-.3L-TS-2A	1.949 (49.5) 1.925 (48.9)	1.827 (46.4) 1.795 (45.6)	1.316 (33.4) 1.306 (33.2)	M35 x 1.0-6g 0.100R	M28 x 1.0-6g 0.100R	.145 (3.7) .114 (2.9)
G	21	1.3750-.1P-.3L-TS-2A	2.075 (52.7) 2.051 (52.1)	1.953 (75.0) 1.921 (74.2)	1.441 (36.6) 1.431 (36.3)	M38 x 1.0-6g 0.100R	M31 x 1.0-6g 0.100R	.145 (3.7) .114 (2.9)
H	23	1.5000-.1P-.3L-TS-2A	2.201 (55.9) 1.177 (29.7)	2.079 (52.8) 2.047 (52.0)	1.566 (39.7) 1.566 (39.8)	M41 x 1.0-6g 0.100R	M34 x 1.0-6g 0.100R	.145 (3.7) .114 (2.9)
J	25	1.6250-.1P-.3L-TS-2A	2.323 (59.0) 2.299 (58.4)	2.205 (56.0) 2.173 (54.3)	1.691 (42.9) 1.681 (42.7)	M44 x 1.0-6g 0.100R	M37 x 1.0-6g 0.100R	.145 (3.7) .114 (2.9)

NOTES:

1. Metric dimensions (mm) are in parentheses and are for reference only.
2. See Page A-2 for Panel Cut-out Dimensions
3. Consult factory for availability.