

Moistureproof Type Bayonet Lock Coupling



EB series connectors meet the performance criteria of most factory automation applications. They withstand exposure to moisture, oil and vibration. Resilient insulator provides improved environmental sealing.



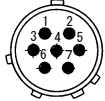
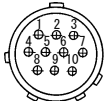
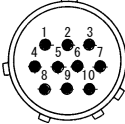
MATERIAL/FINISH

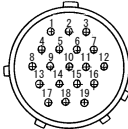
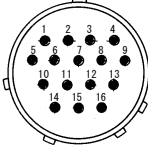
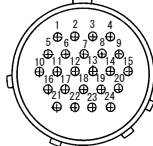
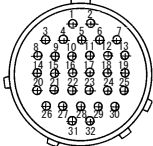
Insulator	Chloroprene synthetic rubber/Black
Contact	Copper alloy/Silver or Gold plating
Shell	Zinc alloy/Olive drab chromate finish
Hood	Aluminum alloy/Olive drab chromate finish
Bushing	Chloroprene synthetic rubber/Black
Cap	Chloroprene synthetic rubber/Black or Metal/Olive drab chromate finish

Specification

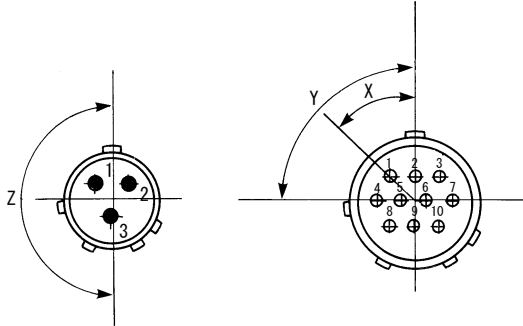
	Contact size		
	#20	#16	
Voltage rating (max.)	250V AC (rms), 350V DC		
Current rating (max.)	5A	10A	
Operating temperature	-25°C to +85°C		
Insulation resistance	1000M Ω min. at 500V DC		
Dielectric withstanding voltage	1000V AC (rms) at sea level		
Contact resistance	5m Ω max. at 1A		
Vibration	10-55Hz, Amplitude: 1.5mm		
Shock	Acceleration 50G		
Durability	500 cycles		
Humidity (Steady state)	40°C, 90 to 95%, 96 hours		
Tempertaure cycle	-40°C to + 100°C, 5 cycles		
Salt spray	5%, 35°C, 48 hours		
Wire size	Contact	AWG #20	AWG #16
	Wire size	AWG #20 or Less	AWG #16 or Less

Insert Arrangements (Front View of Male Insert)

Insert No.	1303	1307	1607	1610	2110
Arrangements					
No. of Contacts	#16-3	#20-7	#16-7	#20-10	#16-10
Shell Size	13	13	16	16	21

Insert No.	2119	2516	2524	2532
Arrangements				
No. of Contacts	#20-19	#16-16	#20-24	#20-32
Shell Size	21	25	25	25

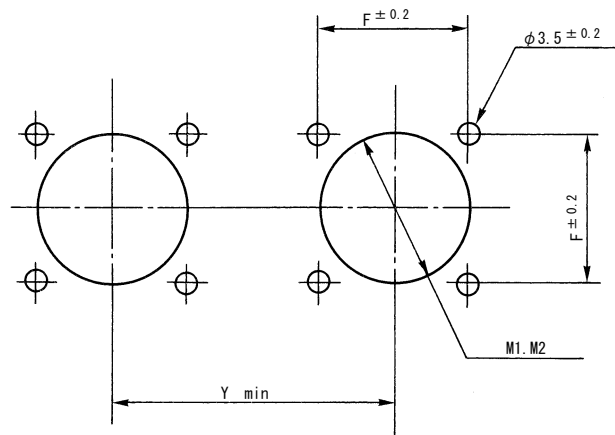
Alternate Insert Positions



Front view of pin insert

Insert No.	Contact Size/ No. of Contacts	X	Y	Z
1303	#16/3	—	—	180°
1307	#20/7	—	90°	—
1607	#16/7	30°	—	—
1610	#20/10	45°	90°	—
2110	#20/10	45°	90°	—
2119	#20/19	45°	90°	—
2516	#16/16	45°	90°	—
2524	#20/24	45°	90°	—
2532	#20/32	45°	90°	—

Panel Cut-out (for EBR/EBWR/EBEL)

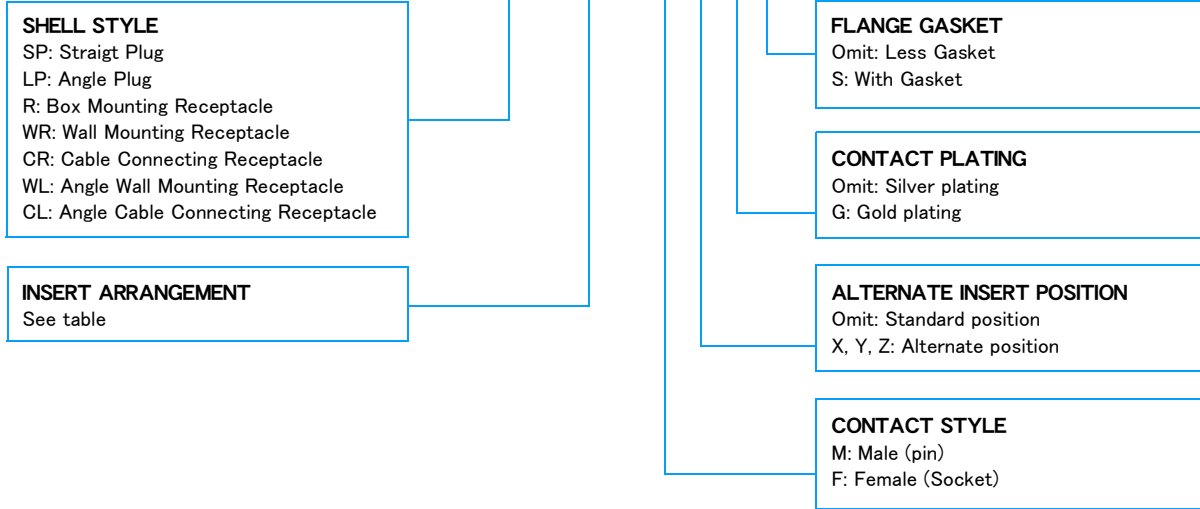


Shell Size	F	M ₁	M ₂	Y
13	20	17	19	42
16	23	21	23	46
21	26	25	27	50
25	29	29	31	54

M₁: Front mounting holes dia. (Shell style "R" only)

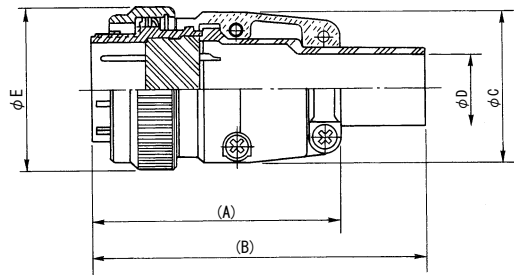
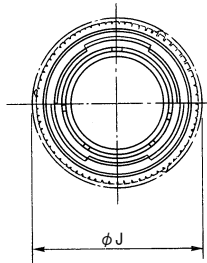
M₂: Rear mounting holes dia.

EBSP2524MXGS



■ Straight Plug

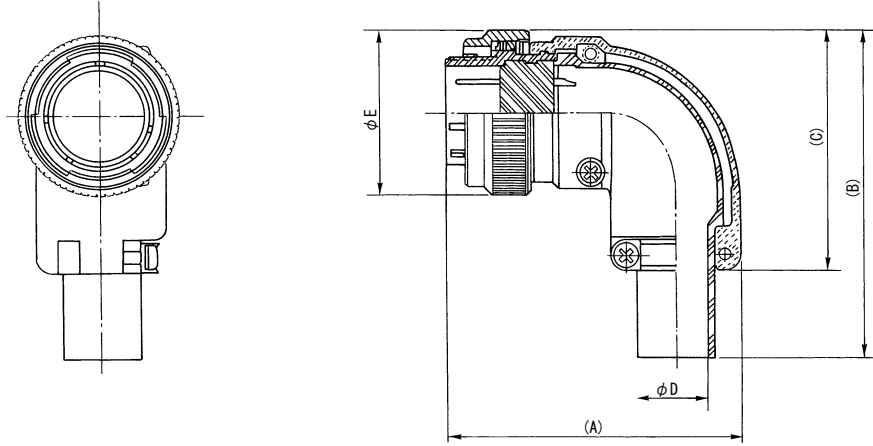
EBSP□□□□□□□□



Shell Size	A	B	C	D	E	J
13	51.6	71.6	23.5	8.2	25.5	27.0
16	53.6	73.6	27.4	9.2	29.5	31.0
21	55.6	75.6	31.6	12.2	33.5	35.5
25	57.6	77.6	34.8	15.0	37.4	38.7

■ Angle Plug

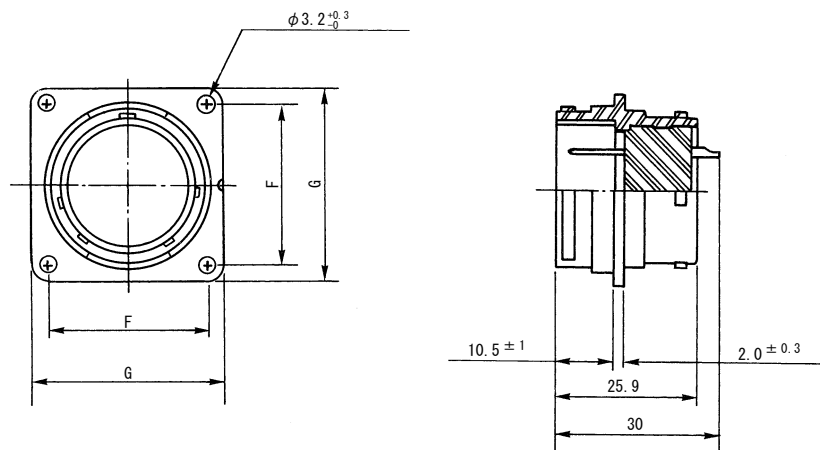
EBLP□□□□□□□□



Shell Size	A	B	C	D	E
13	55.5	63.1	43.1	8.2	25.5
16	60.0	67.1	47.1	9.2	29.5
21	63.8	71.1	51.1	12.2	33.5
25	68.0	74.7	54.7	15.0	37.4

■ Box Mounting Receptacle

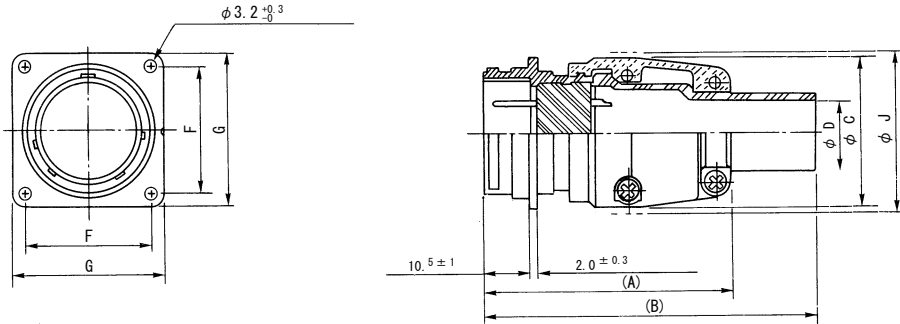
EBR□□□□□□□□



Shell Size	F	G
13	20	26
16	23	29
21	26	32
25	29	35

Wall Mounting Receptacle

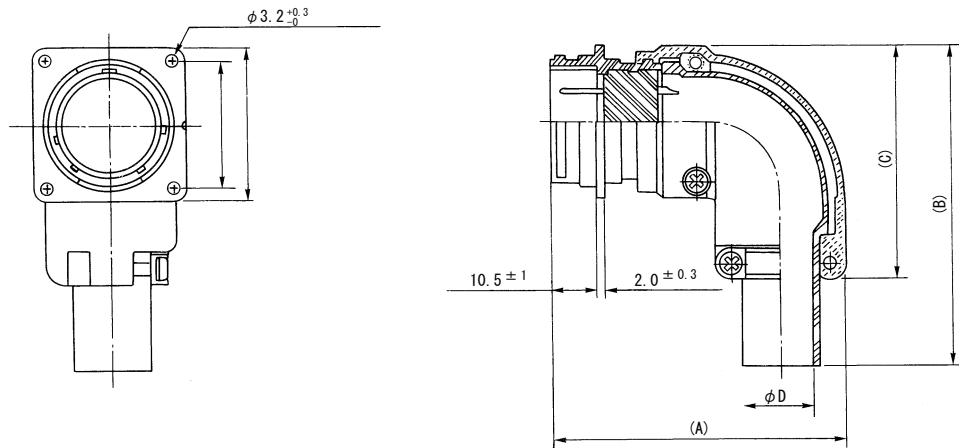
EBWR□□□□□□□□



Shell Size	A	B	C	D	F	G	J
13	51.6	71.6	23.5	8.2	20	26	27.0
16	53.6	73.6	27.4	9.2	23	29	31.0
21	55.6	75.6	31.6	12.2	26	32	35.5
25	57.6	77.6	34.8	15.0	29	35	38.7

Angle Wall Mounting Receptacle

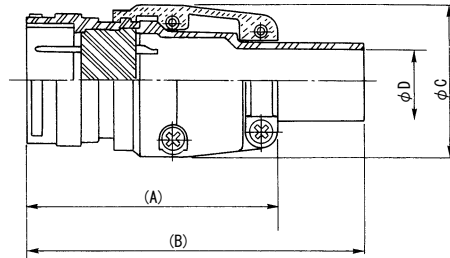
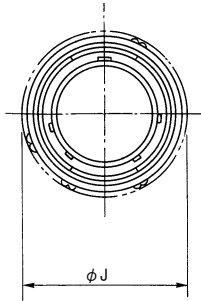
EBWL□□□□□□□□



Shell Size	A	B	C	D
13	55.5	61.9	41.9	8.2
16	60.0	66.0	46.0	9.2
21	63.8	70.2	50.2	12.2
25	68.0	73.4	53.4	15.0

■ Cable Connecting Receptacle

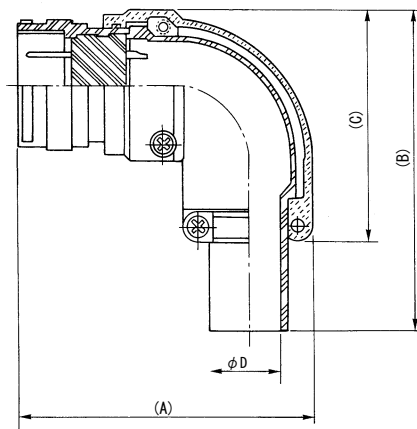
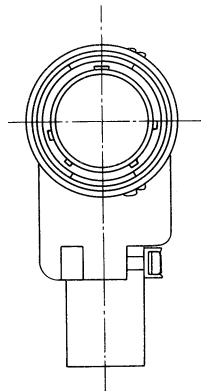
EBCR□□□□□□□□



Shell Size	A	B	C	D	J
13	51.6	71.6	23.5	8.2	27.0
16	53.6	73.6	27.4	9.2	31.0
21	55.6	75.6	31.6	12.2	33.5
25	57.6	77.6	34.8	15.0	38.7

■ Angle Cable Connecting Receptacle

EBCL□□□□□□□□



Shell Size	A	B	C	D
13	55.5	61.9	41.9	8.2
16	60.0	66.0	46.0	9.2
21	63.8	70.2	50.2	12.2
25	68.0	73.4	53.4	15.0

■ Cap

EBPC25RA

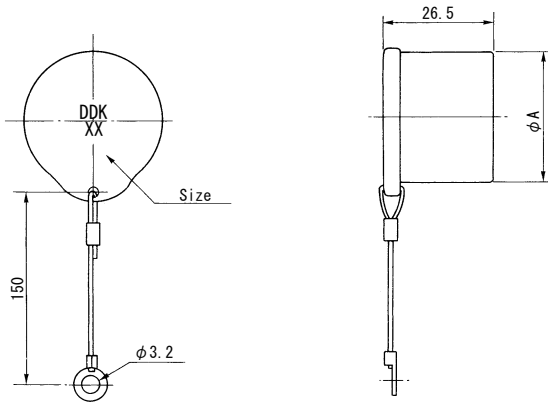
CAP STYLE
 PC: Plug cap
 RC: Receptacle Cap

MATERIAL
 Omit: Metal
 RA: Rubber

RC: Receptacle cap
 SHELL SIZE
 13, 16, 21, 25

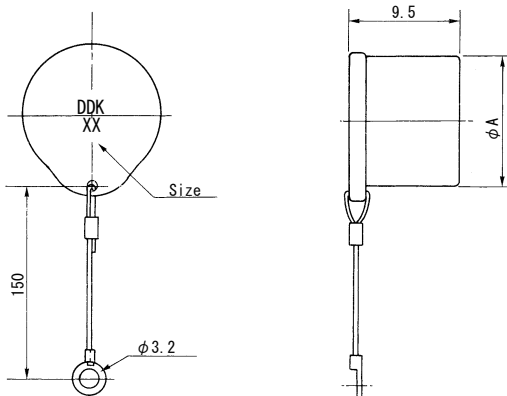
Rubber Type

EBPC□□RA (Plug Cap)



Shell Size	A
13	31.6
16	35.6
21	39.6
25	43.5

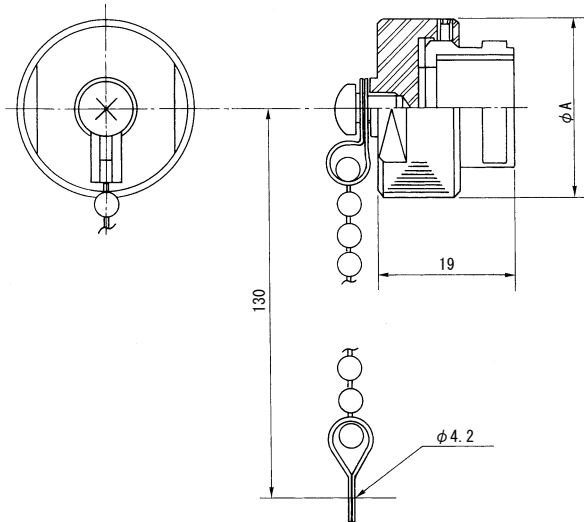
EBRC□□RA (Receptacle Cap)



Shell Size	A
13	22.0
16	26.0
21	30.0
25	34.0

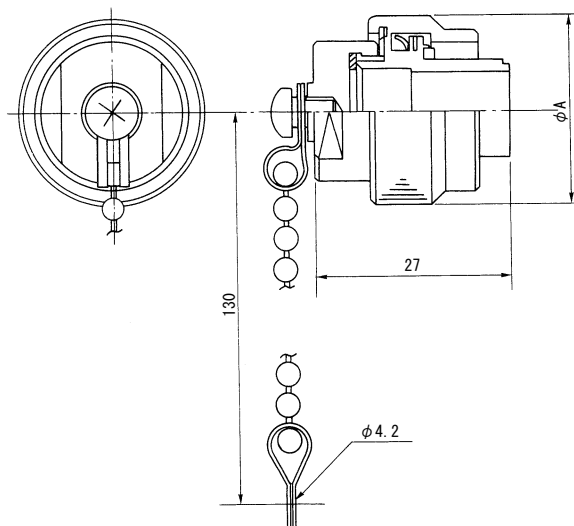
Metal Type

EBPC-□□ (Plug Cap)



Shell Size	A
13	24.4
16	28.4
21	32.4
25	36.4

EBRC-□□ (Receptacle Cap)



Shell Size	A
13	25.5
16	29.5
21	33.5
25	37.4