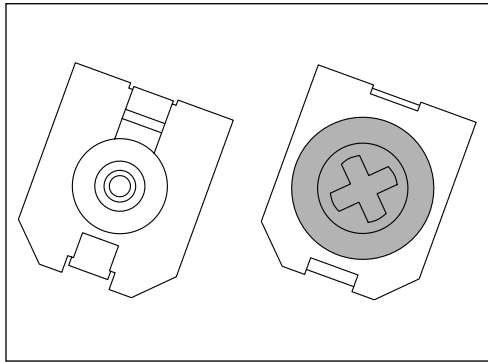


Multilayer Ceramic Chip Trimmer Capacitors



CTZ2 Series



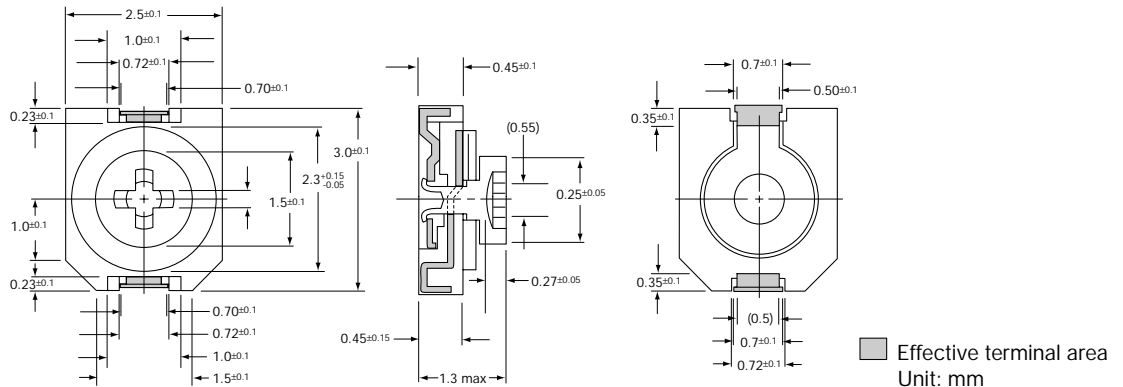
HOW TO ORDER

CTZ2 E - 03 A - W 2 - P
 ① ② ③ ④ ⑤ ⑥ ⑦

- ① **CTZ2 Series**
- ② **Type:** S=Reflow non-washable type, E=Reflow washable type
- ③ **Maximum Capacitance:**
 03=3pF, +100, -0%; 05=5pF, +100, -0%;
 10=10pF, +100, -0%; 20=20pF, +100, -0%
- ④ **Temperature Characteristic:**
 A=NPO±500ppm/°C, C=N750±500 ppm/°C
- ⑤ **Packaging Method:**
 B=Bulk, W=Taping (W direction), X=Taping (X direction)
- ⑥ **Standard Packaged Quantity:** 2=2000 pcs per reel
- ⑦ **Standard:** P=Philips adjust
Optional: A=Setting drift ±1% (Philips adjust)
 I=Ultra thin 1.0mm max.

Philips Adjustment Dimensions

Note: Bulk packaging = 2,000 pcs



Specifications

TYPE CTZ2-A				
Part No.	Min. cap value (pF)	Max. cap value (pF)	TC (ppm/°C)	Voltage Rating
CTZ2O-03A	2	3	NPO±500	25V
CTZ2O-05A	3	5	NPO±500	25V
CTZ2O-05C	2.5	5	N750±500	25V
CTZ2O-10A	3	10	NPO±500	25V
CTZ2O-10C	5	10	N750±500	25V
CTZ2O-20C	5.5	20	N750±500	25V
CTZ2O-30C	7	30	N750±500	25V

TYPE CTZ2-P				
Part No.	Min. cap value (pF)	Max. cap value (pF)	TC (ppm/°C)	Voltage Rating
CTZ2O-03A	2	3	NPO±500	25V
CTZ2O-05A	3	5	NPO±500	25V
CTZ2O-05C	2.5	5	N750±500	25V
CTZ2O-10A	3	10	NPO±500	25V
CTZ2O-10C	5	10	N750±500	25V
CTZ2O-20C	5.5	20	N750±500	25V
CTZ2O-30C	7	30	N750±500	25V

TYPE CTZ2-I				
Part No.	Min. cap value (pF)	Max. cap value (pF)	TC (ppm/°C)	Voltage Rating
CTZ2O-03A	2	3	NPO±500	25V
CTZ2O-05A	3	5	NPO±500	25V
CTZ2O-05C	2.5	5	N750±500	25V
CTZ2O-10A	3	10	NPO±500	25V
CTZ2O-10C	5	10	N750±500	25V
CTZ2O-20C	5.5	20	N750±500	25V
CTZ2O-30C	7	30	N750±500	25V

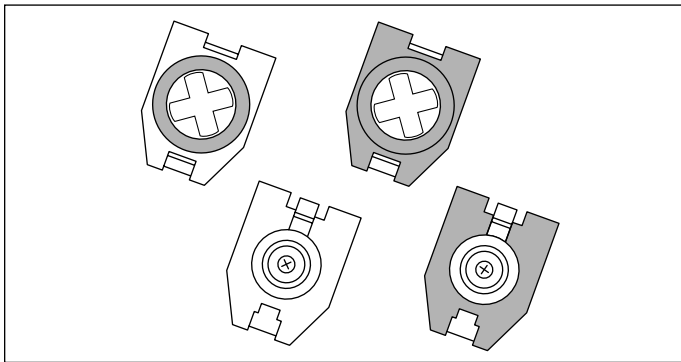
Additional information on this product is available from AVX's catalog or AVX's FAX Service. Call 1-800-879-1613 and request document #065. Visit our website <http://www.avxcorp.com>



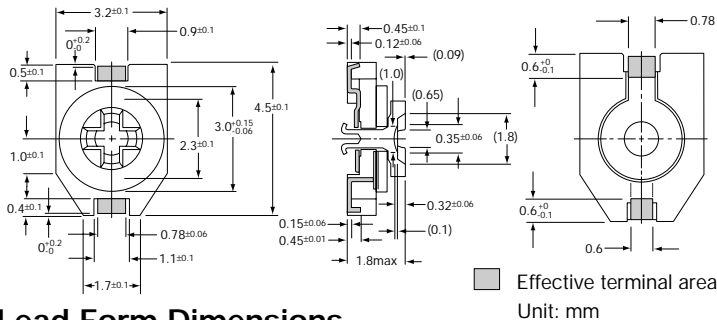
Multilayer Ceramic Chip Trimmer Capacitors



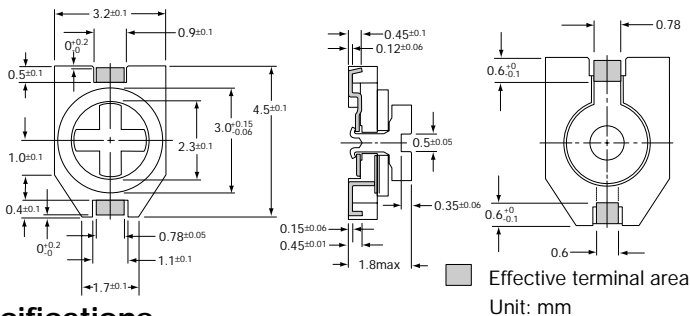
CTZ3 Series



Philips Adjustment Dimensions



Lead Form Dimensions



Specifications

TYPE CTZ3-A (max. height - 1.8mm)				
Part No.	Min. cap value (pF)	Max. cap value (pF)	TC (ppm/°C)	Voltage Rating
CTZ3O-03A	1.5	3	NPO±500	25V
CTZ3O-05A	2	5	NPO±500	25V
CTZ3O-05C	3	5	N750±500	25V
CTZ3O-10A	4	10	NPO±500	25V
CTZ3O-10B	2	10	N400±500	25V
CTZ3O-10C	3	10	N750±500	25V
CTZ3O-20C	7.5	20	N750±500	25V
CTZ3O-30C	7.5	30	N750±500	25V
CTZ3O-40C	7.5	40	N750±500	25V
CTZ3O-50C	12.5	50	N750±500	25V

TYPE CTZ3-P (max. height - 1.8mm)				
Part No.	Min. cap value (pF)	Max. cap value (pF)	TC (ppm/°C)	Voltage Rating
CTZ3O-03A	1	3	NPO±500	25V
CTZ3O-05A	1.5	5	NPO±500	25V
CTZ3O-05C	2	5	N750±500	25V
CTZ3O-10A	2.5	10	NPO±500	25V
CTZ3O-10B	1.5	10	N400±500	25V
CTZ3O-10C	3	10	N750±500	25V
CTZ3O-20C	5	20	N750±500	25V
CTZ3O-30C	5	30	N750±500	25V
CTZ3O-40C	5	40	N750±500	25V
CTZ3O-50C	7	50	N750±500	25V

TYPE CTZ3-P1.5 (max. height - 1.8mm)				
Part No.	Min. cap value (pF)	Max. cap value (pF)	TC (ppm/°C)	Voltage Rating
CTZ3O-03A	1	3	NPO±500	25V
CTZ3O-05A	1.5	5	NPO±500	25V
CTZ3O-05C	2	5	N750±500	25V
CTZ3O-10A	2.5	10	NPO±500	25V
CTZ3O-10B	1.5	10	N400±500	25V
CTZ3O-10C	3	10	N750±500	25V
CTZ3O-20C	5	20	N750±500	25V
CTZ3O-30C	5	30	N750±500	25V
CTZ3O-40C	5	40	N750±500	25V
CTZ3O-50C	7	50	N750±500	25V

TYPE CTZ3-PR (max. height - 1.8mm)				
Part No.	Min. cap value (pF)	Max. cap value (pF)	TC (ppm/°C)	Voltage Rating
CTZ3O-03A	1	3	NPO±500	25V
CTZ3O-05A	1.5	5	NPO±500	25V
CTZ3O-05C	2	5	N750±500	25V
CTZ3O-10A	2.5	10	NPO±500	25V
CTZ3O-10B	1.5	10	N400±500	25V
CTZ3O-10C	3	10	N750±500	25V
CTZ3O-20C	5	20	N750±500	25V
CTZ3O-30C	5	30	N750±500	25V
CTZ3O-40C	5	40	N750±500	25V
CTZ3O-50C	7	50	N750±500	25V

HOW TO ORDER

CTZ3 E - 03 A - W - 1 - P F
 ① ② ③ ④ ⑤ ⑥ ⑦ ⑧

- ① CTZ3 Series
- ② Type: S=Reflow non-washable type, E=Reflow washable type
- ③ Maximum Capacitance:
 03=3pF, +100, -0%; 05=5pF, +100, -0%;
 10=10pF, +100, -0%; 20=20pF, +100, -0%;
 30=30pF, +100, -0%; 40=40pF, +100, -0%
- ④ Temperature Characteristic:
 A=NPO±500ppm/°C, B=N400±500ppm/°C,
 C=N750±500 ppm/°C
- ⑤ Packaging Method:
 B=Bulk, W=Taping (W direction)
 X=Taping (X direction option)
- ⑥ Packaging Quantity: (per reel)
 1=1000 pcs, 5=5000 pcs
- ⑦ Standard: P=Philips Adjust
 Optional:
 A=Setting drift ±1% (Philips adjust)
 P1.5=Product height 1.5mm max. (Philips adjust)
 PR=Reverse Type (bottom adjust)
- ⑧ Standard: F=Lead Form

Additional information on this product is available from AVX's catalog or AVX's FAX Service. Call 1-800-879-1613 and request document #066. Visit our website <http://www.avxcorp.com>

