

# T3 Interface Transformer

*Also suitable for DS3, E3 and STS-1 interfaces*

Turns Ratio ( ± 3% )

1:2CT

PARAMETER	MIN.	MAX.	UNITS
Inductance	40		μHy
Rise Time		3.0	nS
Leakage Inductance		0.14	μHy
Capacitance (C <sub>ww</sub> )		15	pF
Primary DC Resistance		0.2	ohms
Isolation	1500		V <sub>RMS</sub>

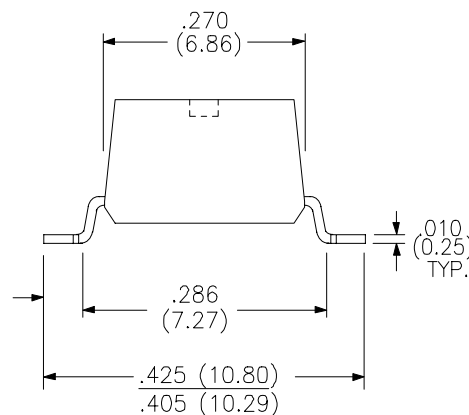
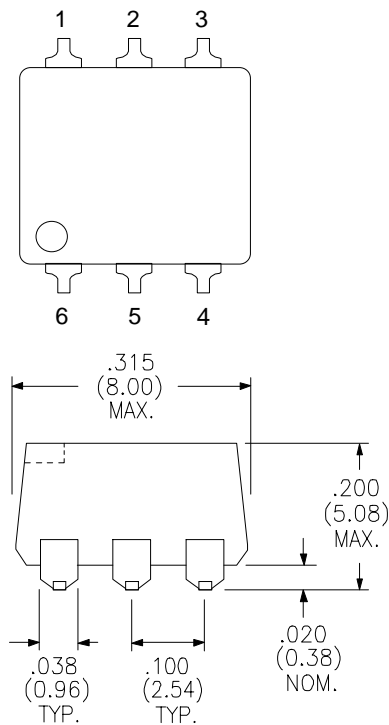
Flammability: Materials used in the production of these units are UL94-VO and meet requirements of IEC 695-2-2 needle flame test.

Parts shipped in anti-static tubes. 55 pieces per tube

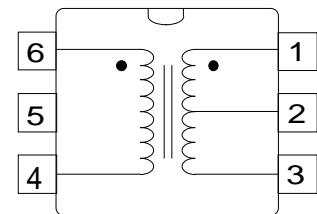
*Tape & Reel Available*

3 dB Bandwidth is .200 - 340 (MHz) typical, tested in a 75 ohm system

Dimensions in inches (mm)



Schematic Diagram



RHOMBUS P/N: **T-13104P**

CUST P/N:

NAME:

DATE: **4/27/99**

SHEET: 1 OF 1