

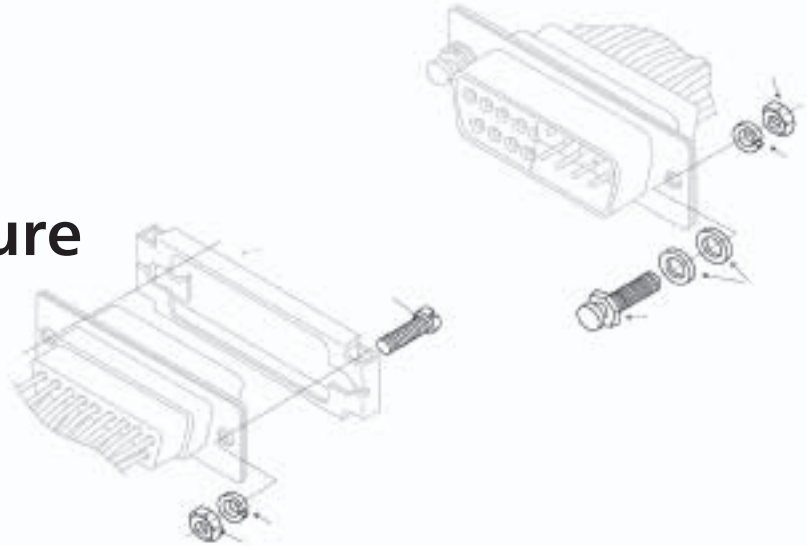


ITT

Electronic Components

Cannon D-Subminiature Accessories

www.DataSheet4U.com



Engineered for life

www.DataSheet4U.com

Cannon D-Subminiature Accessories

Selection Guide



Locking Hardware

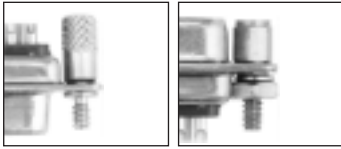
| Backshell | Style | Female Screw Lock see page 12 | Male Screw Lock see page 11 | Sliding Lock Retainer see page 13 | Slide Lock Post see page 13 | Spring Latch Plate see page 14 | Spring Latch see page 14 |
|--------------|---|----------------------------------|--------------------------------|---|--------------------------------|-----------------------------------|-----------------------------|
| EMI Shielded | Snap-Together Metalized Plastic Straight Exit see page 4 | — | — | — | — | — | — |
| EMI Shielded | Snap-Together Metalized Plastic 50° Exit see page 4 | — | — | — | — | — | — |
| EMI Shielded | Die Cast Zinc Metal see page 6 | — | ▲ | — | — | — | — |
| Metal | Deep Straight Clamp see page 7 | • | • | • | • | • | • |
| Metal | Round Cable Clamp see page 7 | • | • | • | • | • | • |
| Metal | Short Straight Clamp see page 8 | • | • | • | • | • | • |
| Metal | 90° Entry see page 8 | • | • | • | • | • | • |
| Plastic | Snap-Together Universal see page 9 | • | • | — | — | — | — |
| Plastic | One-Piece Snap-Together see page 9 | — | ▲ | — | — | — | — |
| Plastic | One-Piece Plastic Straight Exit see page 10 | — | — | • | • | • | • |
| Plastic | One-Piece Plastic 90° Exit see page 10 | — | — | • | • | • | • |

- ▲ Supplied with backshell
- Optional compatible locking hardware
- Not compatible



Cannon D-Subminiature Accessories

Selection Guide



Locking Hardware

| Jackscrew Assembly see page 15 | Jackpost Assembly see page 15 | Recessed Jackscrew see page 5 | Extended Jackscrew see page 5 | Thumbscrew see page 5 | Jackpost for In-Line Connections see page 5 |
|-----------------------------------|----------------------------------|----------------------------------|----------------------------------|--------------------------|---|
| — | — | • | • | • | • |
| — | — | • | • | • | • |
| — | — | — | — | — | — |
| — | • | — | — | — | — |
| — | • | — | — | — | — |
| — | • | — | — | — | — |
| — | — | — | — | — | — |
| — | — | — | — | — | — |
| — | — | — | — | — | — |
| — | — | — | — | — | — |

Dimensions shown in mm (inch)
Specifications and dimensions subject to change

www.ittcannon.com

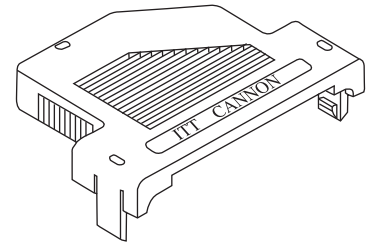
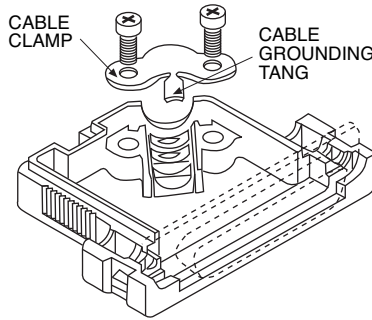
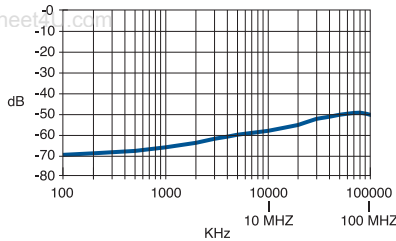
Snap-Together Metalized Plastic

Metalized plastic backshells reduce EMI/RFI emissions. Metalized plastic provides a light weight solution. Design includes integral strain relieving cable clamp.

Product Features

- Improves conformance to FCC DOC #20780 shielding requirements
- No crimp ferrule tooling needed
- Quick and simple assembly using snap-together design feature

Attenuation



Note: Cable grounding tang not available on DE size backshell.

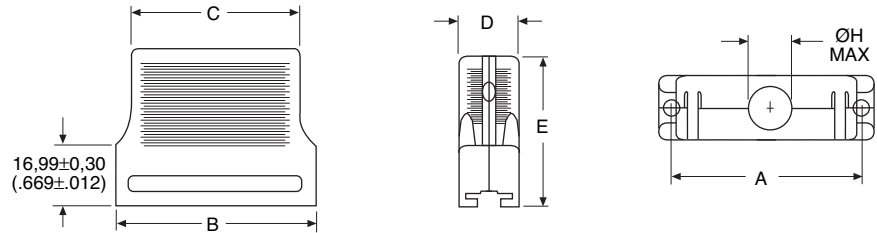
Specifications

| | |
|--------------------|-----------------|
| Attenuation: | -49 dB @ 100MHz |
| Temperature Range: | -20° C to 80° C |

Materials and Finishes

| | |
|-----------|-------------------------------|
| Material: | Thermoplastic, UL 94V-0 rated |
| Finish: | Nickel over Copper |

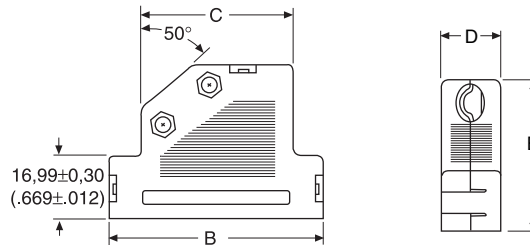
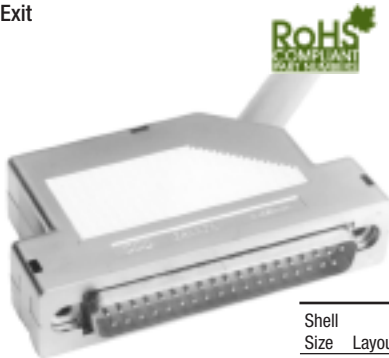
Straight Exit



| Shell Size | Layout | Shielded Part # | Non-Shielded Part # Gray * | A ±0.15 (.006) | B ±0.30 (.012) | C ±0.30 (.012) | D ±0.30 (.120) | E ØH ±0.20 (.008) | Max. |
|------------|--------|-----------------|----------------------------|----------------|----------------|----------------|----------------|-------------------|--------------|
| DE | 9 | DE121073-154 | DE121073-159 | 24,95 (.982) | 30,81 (1.213) | 23,70 (.933) | 16,00 (.630) | 35,99 (1.417) | 7,32 (.288) |
| DA | 15 | DA121073-150 | DE121073-155 | 33,30 (1.311) | 39,09 (1.539) | 31,80 (1.252) | 16,00 (.630) | 42,00 (1.654) | 8,31 (.327) |
| DB | 25 | DB121073-151 | DE121073-156 | 47,00 (1.850) | 53,01 (2.087) | 45,01 (1.772) | 16,00 (.630) | 42,00 (1.654) | 10,52 (.414) |
| DC | 37 | DC121073-152 | DE121073-157 | 63,45 (2.498) | 69,29 (2.728) | 60,30 (2.374) | 16,00 (.630) | 42,00 (1.654) | 12,32 (.485) |
| DD | 50 | DD121073-153 | DE121073-158 | 61,10 (2.410) | 66,90 (2.634) | 58,30 (2.295) | 19,00 (.748) | 42,00 (1.654) | 13,00 (.512) |

* Color Black available by request, please contact Customer Service.

50° Exit



| Shell Size | Layout | Shielded Part # | Non-Shielded Part # Gray* | B ±0.30 (.012) | C ±0.30 (.012) | D ±0.30 (.012) | E ±0.20 (.008) | Cable Diameter | |
|------------|--------|-----------------|---------------------------|----------------|----------------|----------------|----------------|----------------|--------------|
| | | | | Min. | Max. | | | | |
| DE | 9 | DE121073-54 | DE121073-59 | 35,99 (1.417) | 22,00 (8.66) | 16,00 (.630) | 35,99 (1.417) | 3,51 (.138) | 7,49 (.295) |
| DA | 15 | DA121073-50 | DE121073-55 | 44,29 (1.744) | 27,31 (1.075) | 16,00 (.630) | 42,01 (1.654) | 6,50 (.256) | 8,99 (.354) |
| DB | 25 | DB121073-51 | DE121073-56 | 57,99 (2.283) | 41,00 (1.614) | 16,00 (.630) | 42,01 (1.654) | 6,50 (.256) | 11,00 (.433) |
| DC | 37 | DC121073-52 | DE121073-57 | 74,50 (2.933) | 57,51 (2.264) | 16,00 (.630) | 42,01 (1.654) | 6,50 (.256) | 11,00 (.433) |
| DD | 50 | DD121073-53 | DE121073-58 | 72,97 (2.873) | 54,99 (2.165) | 19,00 (.748) | 42,01 (1.654) | 8,99 (.354) | 13,00 (.512) |

* Color Black available by request, please contact Customer Service.

- Kit consists of 1 front shell, 1 rear shell, 1 cable clamp, 2 screws
- Optional locking hardware sold separately, see page 5



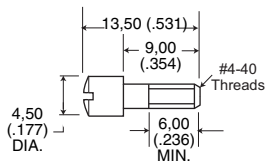
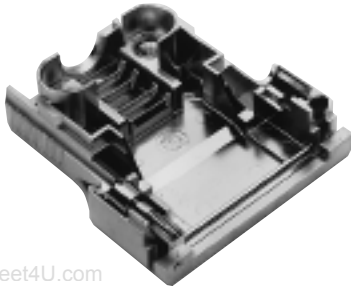
Dimensions shown in mm (inch)

Specifications and dimensions subject to change

www.DataSheet4U.com
www.ittcannon.com

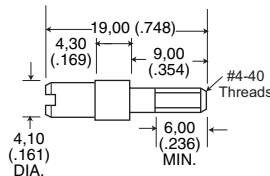
Locking Hardware for Snap -Together EMI Shielded Backshell

Recessed Jackscrew



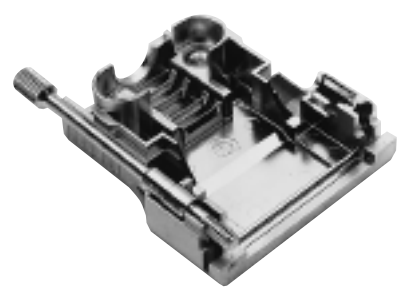
| | |
|----------------------------------|--------------|
| Part Number: | 250-8501-004 |
| Material: | Brass |
| Finish: | Nickel |
| Quantity required per connector: | 2 |

Extended Jackscrew



| | |
|----------------------------------|----------------------|
| Part Number: | 250-8501-009 (M3) |
| | 250-8501-010 (#4-40) |
| Material: | Brass |
| Finish: | Nickel |
| Quantity required per connector: | 2 |

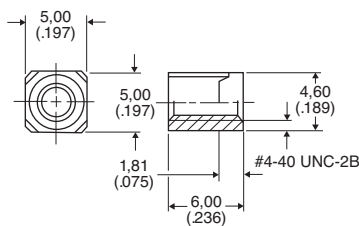
Thumbscrew



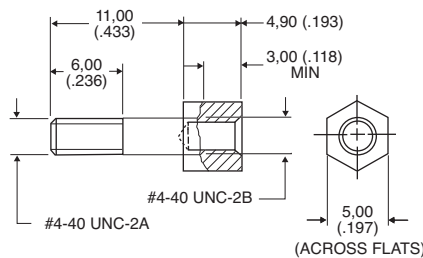
| | |
|----------------------------------|--------------|
| Part Number: | 250-8501-013 |
| Material: | Brass |
| Finish: | Nickel |
| Quantity required per connector: | 2 |

Jackpost for In-Line Connections

Rectangular Nut



Jackpost



Jackpost Assembly



Assembly consists of 1 rectangular nut, 1 jackpost, 1 # 4-40 lock washer.

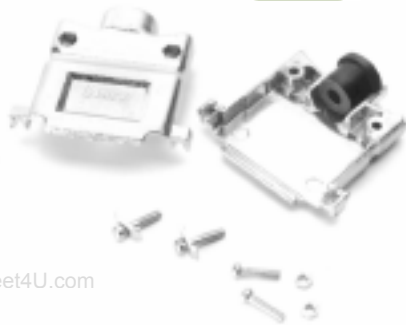
| | |
|----------------------------------|------------|
| Part Number: | D121073-19 |
| Material: | Brass |
| Finish: | Nickel |
| Quantity required per connector: | 2 |

Dimensions shown in mm (inch)
Specifications and dimensions subject to change

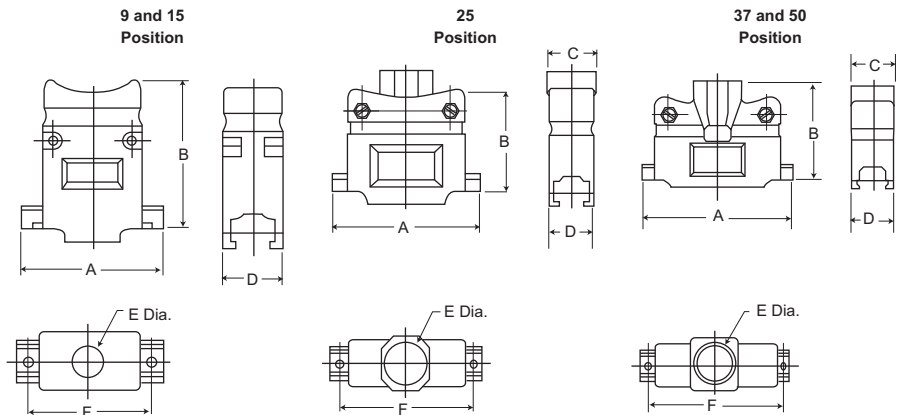
www.ittcannon.com

Die Cast Zinc Metal Backshell

Straight Exit



www.DataSheet4U.com



Die cast metal backshells reduce EMI/RFI emissions. Die cast metal backshells offer improved shielding in a rugged package.

Product Features

- Improves conformance to FCC DOC #20780 shielding requirements
- No crimp ferrule tooling needed
- Kit consists of 1 front shell, 1 rear shell, 2 screws, 2 hex nuts, 2 mounting screws, 2 end brackets, 1 set of compression inserts

| Shell Size | Layout | Part Number | A ±0,13 (.005) | B ±0,13 (.005) | C ±0,13 (.005) | D ±0,13 (.005) | øE ±0,13 (.005) | F ±0,13 (.005) |
|------------|--------|--------------|-------------------|-------------------|-------------------|-------------------|--------------------|-------------------|
| DE | 9 | 980-2000-345 | 31,12 (1.225) | 37,21 (1.465) | 15,75 (.620) | 15,75 (.620) | 10,16 (.400) | 24,99 (.984) |
| DA | 15 | 980-2000-346 | 39,12 (1.540) | 40,64 (1.600) | 15,75 (.620) | 15,75 (.620) | 10,16 (.400) | 33,32 (1.312) |
| DB | 25 | 980-2000-347 | 53,09 (2.090) | 39,37 (1.550) | 17,53 (.690) | 15,75 (.620) | 13,34 (.525) | 47,17 (1.857) |
| DC | 37 | 980-2000-348 | 69,34 (2.730) | 45,72 (1.800) | 21,95 (.864) | 15,75 (.620) | 18,44 (.726) | 63,50 (2.500) |
| DD | 50 | 980-2000-349 | 66,70 (2.626) | 45,72 (1.800) | 21,95 (.864) | 18,54 (.730) | 18,44 (.726) | 61,11 (2.406) |

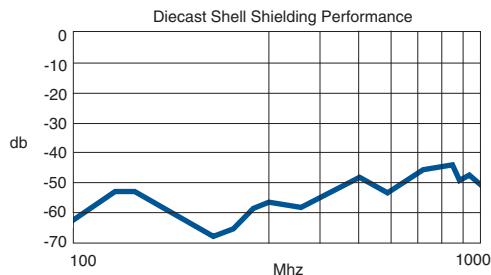
Specifications

| | |
|--------------------|------------------|
| Attenuation: | -50 dB @ 1000MHz |
| Temperature Range: | -20° C to 80° C |

Materials and Finishes

| | |
|----------------------|------------|
| Backshell Material: | Zinc |
| Backshell Finish: | Clear Zinc |
| Compression Inserts: | PVC |
| Hardware Material: | Steel |
| Hardware Finish: | Clear Zinc |

Attenuation

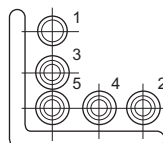


Compression inserts (included with die cast zinc metal backshell)

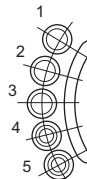
Compression inserts accommodate a wide variety of cable sizes.

| Position | Cable Diameter |
|----------|------------------------|
| 9,15 | 4,83/8,89 (.190/.350) |
| 25 | 4,83/11,68 (.190/.460) |
| 37,50 | 7,62/17,27 (.300/.680) |

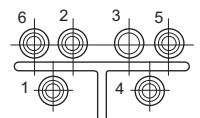
9 and 15 Position*



25 Position*



37 and 50 Position*



* Inserts may be supplied mirror image.

| Position | O.D. #1 | I.D. #1 | O.D. #2 | I.D. #2 | O.D. #3 | I.D. #3 | O.D. #4 | I.D. #4 | O.D. #5 | I.D. #5 | O.D. #6 | I.D. #6 |
|----------|--------------|--------------|--------------|--------------|--------------|--------------|--------------|--------------|--------------|--------------|--------------|-------------|
| 9,15 | 12,07 (.475) | 8,13 (.320) | 9,14 (.360) | 8,00 (.315) | 9,14 (.360) | 6,48 (.255) | 9,14 (.360) | 7,24 (.285) | 9,14 (.360) | 5,33 (.210) | — | — |
| 25 | 15,24 (.600) | 11,43 (.450) | 11,43 (.450) | 10,41 (.410) | 11,43 (.450) | 9,40 (.370) | 11,43 (.450) | 7,62 (.300) | 11,43 (.450) | 5,84 (.230) | — | — |
| 37,50 | 16,64 (.655) | 14,48 (.570) | 17,78 (.700) | 15,75 (.620) | 20,57 (.810) | 16,51 (.650) | 16,64 (.655) | 12,70 (.500) | 16,64 (.655) | 10,80 (.425) | 16,64 (.655) | 8,89 (.350) |



Metal Backshell

Metal Backshells provide strain relief. Various profiles available for different cable routing requirements.

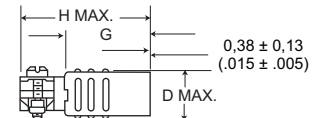
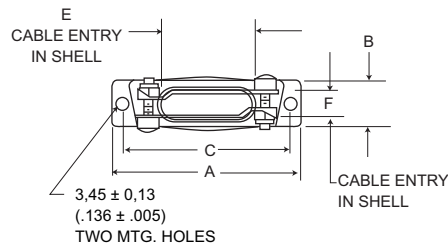
Product Features

Qualified to MIL-Spec M885049

Materials and Finishes

| | |
|---------------------|---|
| Backshell Material: | Low Carbon Steel |
| Backshell Finish: | Chromate over Cadmium (Mil Spec) or Zinc (RoHS) |
| Hardware Material: | Steel |

Deep Straight Clamp



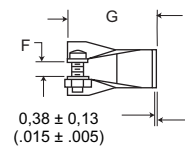
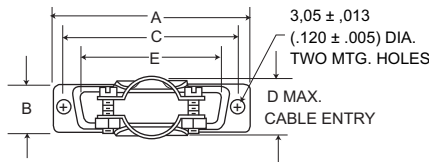
RoHS Compliant Part Number

| | |
|----|------------|
| DE | DE24657-29 |
| DA | DA24658-28 |
| DB | DB24659-27 |
| DC | DC24660-4 |
| DD | DD24661-3 |

- Kit consists of 1 shell, 2 cable clamps, 2 screws, 2 hex nuts.

| Shell Size | Layout | Part Number | Mil Spec Part Number | A ±0,38 (.015) | B ±0,572 (.0225) | C ±0,38 (.015) | D max. | E ±0,38 (.015) | F ±0,38 (.015) | G ±0,38 (.015) | H max. |
|------------|--------|-------------|----------------------|-------------------|---------------------|-------------------|--------------|-------------------|-------------------|-------------------|---------------|
| DE | 9 | DE24657 | M85049/48-1-1 | 30,56 (1.203) | 12,484 (.4915) | 24,99 (.984) | 14,68 (.578) | 9,53 (.375) | 9,53 (.375) | 19,05 (.750) | 31,75 (1.250) |
| DA | 15 | DA24658 | M85049/48-1-2 | 38,89 (1.531) | 12,484 (.4915) | 33,32 (1.312) | 14,68 (.578) | 18,11 (.713) | 7,93 (.312) | 19,05 (.750) | 31,75 (1.250) |
| DB | 25 | DB24659 | M85049/48-1-3 | 52,78 (2.078) | 12,484 (.4915) | 47,04 (1.852) | 14,68 (.578) | 25,40 (1.000) | 7,93 (.312) | 25,40 (1.000) | 39,70 (1.563) |
| DC | 37 | DC24660 | M85049/48-1-4 | 69,04 (2.718) | 12,484 (.4915) | 63,50 (2.500) | 14,68 (.578) | 34,93 (1.375) | 7,93 (.312) | 25,40 (1.000) | 39,70 (1.563) |
| DD | 50 | DD24661 | M85049/48-1-5 | 66,68 (2.625) | 15,253 (.6005) | 61,11 (2.406) | 17,45 (.578) | 35,71 (1.406) | 10,31 (.406) | 28,57 (1.125) | 42,88 (1.688) |

Round Cable Clamp



RoHS Compliant Part Number

| | |
|----|------------|
| DE | DE44994-14 |
| DA | DA20961-26 |
| DB | DB20962-30 |
| DC | DC20963-27 |
| DD | DD20964-32 |

- Kit consists of 1 shell, 2 cable clamps, 2 screws, 2 hex nuts.

| Shell Size | Layout | Part Number | Mil Spec Part Number | A ±0,38 (.015) | B ±0,572 (.0225) | C ±0,38 (.015) | D max. | E ±0,38 (.015) | F ±0,38 (.015) | G ±0,76 (.030) |
|------------|--------|-------------|----------------------|-------------------|---------------------|-------------------|--------------|-------------------|-------------------|-------------------|
| DE | 9 | DE44994 | M85049/48-2-1 | 30,68 (1.208) | 12,70 (.500) | 24,99 (.984) | 10,31 (.406) | 16,79 (.661) | 3,18 (.125) | 26,18 (1.031) |
| DA | 15 | DA20961 | M85049/48-2-2 | 38,89 (1.531) | 12,70 (.500) | 33,33 (1.312) | 10,31 (.406) | 24,99 (.984) | 3,18 (.125) | 26,18 (1.031) |
| DB | 25 | DB20962 | M85049/48-2-3 | 52,78 (2.078) | 12,70 (.500) | 47,04 (1.852) | 15,06 (.593) | 38,48 (1.515) | 4,75 (.187) | 26,98 (1.062) |
| DC | 37 | DC20963 | M85049/48-2-4 | 69,04 (2.718) | 12,70 (.500) | 63,50 (2.500) | 18,23 (.718) | 55,14 (2.171) | 6,35 (.250) | 26,98 (1.062) |
| DD | 50 | DD20964 | M85049/48-2-5 | 66,68 (2.625) | 15,47 (.609) | 61,11 (2.406) | 20,62 (.812) | 53,16 (2.093) | 7,92 (.312) | 26,98 (1.062) |

Dimensions shown in mm (inch)

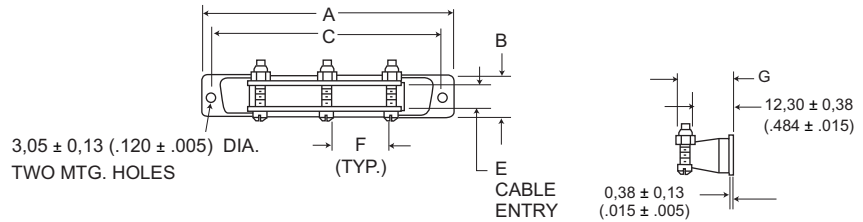
Specifications and dimensions subject to change

www.ittcannon.com

Short Straight Clamp



- Kit consists of 1 shell, 2 or 3 screws, 2 or 3 hex nuts



RoHS Compliant
Part Number

| | |
|----|-------------|
| DA | DA19678-212 |
| DB | DB19678-213 |
| DC | DC19678-214 |
| DD | DD19678-215 |

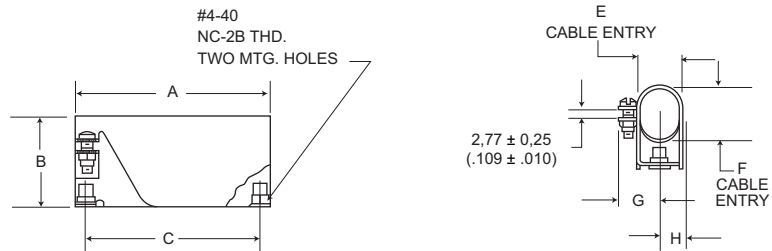
www.DataSheet4U.com

| Shell Size | Layout | Part Number | Mil Spec Part Number | No. of Cable Locking Screws Included | A | B | C | E | F | G |
|------------|--------|-------------|----------------------|--------------------------------------|---------------|--------------|---------------|--------------|--------------|--------------|
| | | | | | ±0,38 (.015) | ±0,38 (.015) | ±0,13 (.005) | ±0,38 (.015) | ±0,38 (.015) | ±0,98 (.035) |
| DA | 15 | DA19678-1 | M85049/48-3-2 | 2 | 38,88 (1.531) | 12,70 (.500) | 33,33 (1.312) | 7,51 (.296) | 7,93 (.312) | 16,36 (.644) |
| DB | 25 | DB19678-2 | M85049/48-3-3 | 2 | 52,78 (2.078) | 12,70 (.500) | 47,04 (1.852) | 7,51 (.296) | 20,22 (.796) | 16,36 (.644) |
| DC | 37 | DC19678-3 | M85049/48-3-4 | 3 | 69,04 (2.718) | 12,70 (.500) | 63,50 (2.500) | 7,51 (.296) | 17,45 (.687) | 16,36 (.644) |
| DD | 50 | DD19678-4 | M85049/48-3-5 | 3 | 66,68 (2.625) | 15,47 (.690) | 61,11 (2.406) | 9,91 (.390) | 17,45 (.687) | 17,63 (.694) |

90° Entry



- Kit consists of 1 shell, 1 cable clamp, 1 screw, 1 nut, 2 rivnuts (assembled)



RoHS Compliant
Part Number

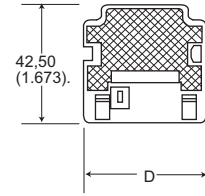
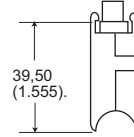
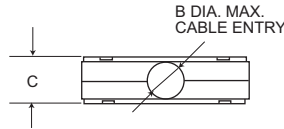
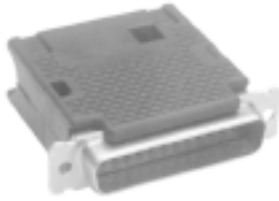
| | |
|----|------------|
| DE | DE19977-72 |
| DA | DA19977-68 |
| DB | DB19977-69 |
| DC | DC19977-70 |
| DD | DD19977-71 |

| Shell Size | Layout | Part Number | Mil Spec Part Number | No. of Cable Locking Screws Included | A | B | C | E | F | G | H |
|------------|--------|-------------|----------------------|--------------------------------------|---------------|--------------|---------------|--------------|--------------|--------------|-------------|
| | | | | | ±0,38 (.015) | ±0,38 (.015) | ±0,13 (.005) | ±0,38 (.015) | ±0,38 (.015) | ±0,98 (.035) | |
| DE | 9 | DE19977-5 | M85049/50-1 | | 30,56 (1.203) | 18,24 (.718) | 24,99 (.984) | 11,10 (.437) | 11,10 (.437) | 11,89 (.468) | 7,14 (.281) |
| DA | 15 | DA19977-1 | M85049/48-2 | | 38,89 (1.531) | 12,70 (.500) | 33,33 (1.312) | 11,10 (.437) | 11,10 (.437) | 11,89 (.468) | 7,14 (.281) |
| DB | 25 | DB19977-2 | M85049/48-3 | | 52,78 (2.078) | 12,70 (.500) | 47,04 (1.852) | 11,10 (.437) | 15,88 (.625) | 11,89 (.468) | 7,14 (.281) |
| DC | 37 | DC19977-3 | M85049/48-4 | | 69,04 (2.718) | 12,70 (.500) | 63,50 (2.500) | 11,10 (.437) | 20,63 (.812) | 11,89 (.468) | 7,14 (.281) |
| DD | 50 | DD19977-4 | M85049/48-5 | | 66,68 (2.625) | 15,47 (.690) | 61,11 (2.406) | 14,28 (.562) | 23,01 (.906) | 13,47 (.531) | 8,71 (.343) |



Plastic Backshell

Snap -Together Universal



www.DataSheet4U.com

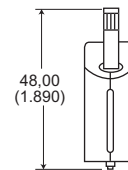
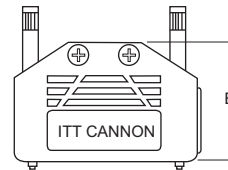
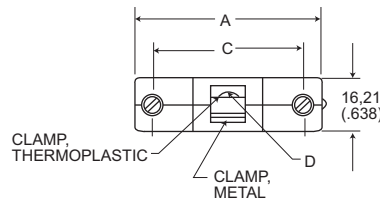
- 2-piece snap-together design for quick assembly.
- Customer furnishes tie-wrap.

| Shell Size | Layout | Part Number | øB max. | C ±0,20 (.008) | D ±0,20 (.008) |
|------------|--------|-------------|--------------|----------------|----------------|
| DE | 9 | DE115339-20 | 7,01 (.276) | 17,00 (.669) | 19,51 (.768) |
| DA | 15 | DA115339-21 | 9,60 (.378) | 17,00 (.669) | 27,79 (1.094) |
| DB | 25 | DB115339-22 | 11,61 (.457) | 17,00 (.669) | 41,61 (1.638) |
| DC | 37 | DC115339-23 | 13,00 (.512) | 17,00 (.669) | 59,99 (2.283) |
| DD | 50 | DD115339-24 | 16,00 (.630) | 19,81 (.780) | 52,32 (2.060) |

Materials and Finishes

Material: Black Thermoplastic,
UL 94V-0 rated

One-Piece Snap-Together



- Low cost
- Easy to assemble
- Mounting hardware included
- 2 thumbscrews, 2 cable clamps

| Shell Size | Layout | Part Number | A | C | ø D max. | E |
|------------|--------|-------------|---------------|---------------|-------------|---------------|
| DE | 9 | DEBS-9 | 35,20 (1.386) | 24,99 (.984) | 5,69 (.224) | 27,51 (1.083) |
| DA | 15 | DABS-15 | 43,31 (1.705) | 33,33 (1.312) | 5,69 (.224) | 31,19 (1.228) |
| DB | 25 | DBBS-25 | 57,20 (2.252) | 47,04 (1.852) | 6,50 (.256) | 38,30 (1.508) |
| DC | 37 | DCBS-37 | 72,00 (2.83) | 62,00 (2.44) | 7,80 (.307) | 43,08 (1.69) |
| DD | 50 | DDBS-50 | 73,70 (2.90) | 63,70 (2.50) | 8,20 (.322) | 48,04 (1.89) |

Materials and Finishes

Backshell Material: Polypropylene
Hardware Material: Steel
Hardware Finish: Chromate over zinc

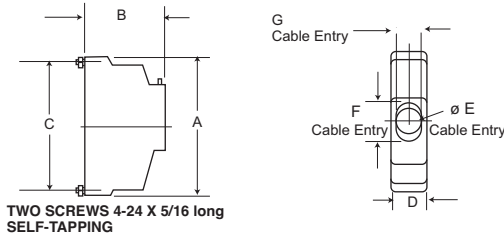
Dimensions shown in mm (inch)

Specifications and dimensions subject to change

www.ittcannon.com

One-Piece Plastic

Straight Exit



- Kit consists of 1 shell, 1 cable clamp, 1 set screw
- Mounting hardware included
- 2 screws #4-24 x 5/16 long self tapping
- Accommodates spring latches

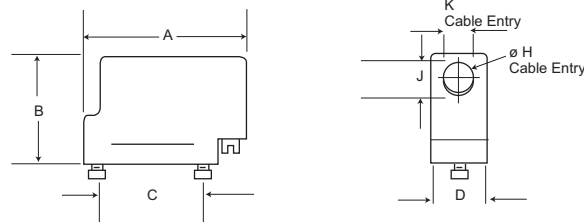
www.DataSheet4U.com

Materials and Finishes

| | |
|--------------------|-------------------------------------|
| Material: | Black Thermoplastic, UL 94V-0 rated |
| Hardware Material: | Steel |
| Hardware Finish: | Chromate over Zinc |

| Shell Size | Layout | Part Number | A ±0,38 (.015) | B ±0,38 (.015) | C ±0,13 (.005) | D ±0,38 (.015) | øE ±0,25 (.010) | F ±0,25 (.010) | G ±0,25 (.010) |
|------------|--------|-------------|----------------|----------------|----------------|----------------|-----------------|----------------|----------------|
| DE | 9 | DE51218 | 30,94 (1.218) | 25,40 (1.000) | 24,99 (.984) | 12,70 (.500) | 7,14 (.281) | — | — |
| DA | 15 | DA51210 | 39,27 (1.546) | 25,40 (1.000) | 33,33 (1.312) | 12,70 (.500) | 9,14 (.360) | — | — |
| DB | 25 | DB51212 | 53,16 (2.093) | 31,75 (1.250) | 47,04 (1.852) | 12,70 (.500) | — | 12,52 (.493) | 9,15 (.360) |
| DC | 37 | DC51214 | 69,44 (2.734) | 38,10 (1.500) | 63,50 (2.500) | 12,70 (.500) | — | 17,63 (.694) | 9,15 (.360) |
| DD | 50 | DD51216 | 67,06 (2.640) | 38,10 (1.500) | 61,11 (2.406) | 15,47 (.690) | — | 18,64 (.734) | 11,89 (.468) |

90° Exit



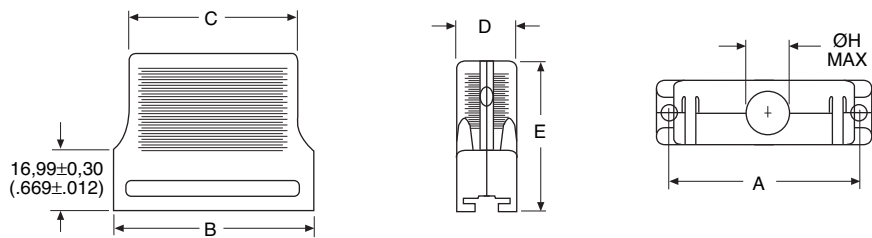
- Kit consists of 1 shell, 1 cable clamp, 1 set screw
- Mounting hardware included
- 2 screws #4-24 x 5/16 long self tapping

Materials and Finishes

| | |
|--------------------|-------------------------------------|
| Material: | Black Thermoplastic, UL 94V-0 rated |
| Hardware Material: | Steel |
| Hardware Finish: | Chromate over Zinc |

| Shell Size | Layout | Part Number | A ±0,38 (.015) | B ±0,38 (.015) | C ±0,13 (.005) | D ±0,38 (.015) | øH ±0,25 (.010) | J ±0,25 (.010) | K ±0,25 (.010) |
|------------|--------|-------------|----------------|----------------|----------------|----------------|-----------------|----------------|----------------|
| DE | 9 | DE51219 | 37,95 (1.494) | 25,40 (1.000) | 24,99 (.984) | 12,70 (.500) | 7,14 (.281) | — | — |
| DA | 15 | DA51211 | 46,28 (1.822) | 25,40 (1.000) | 33,33 (1.312) | 12,70 (.500) | 9,14 (.360) | — | — |
| DB | 25 | DB51213 | 60,15 (2.368) | 31,75 (1.250) | 47,04 (1.852) | 12,70 (.500) | — | 12,52 (.493) | 9,15 (.360) |
| DC | 37 | DC51215 | 76,43 (3.009) | 38,10 (1.500) | 63,50 (2.500) | 12,70 (.500) | — | 17,63 (.694) | 9,15 (.360) |
| DD | 50 | DD51217 | 74,04 (2.915) | 38,10 (1.500) | 61,11 (2.406) | 15,47 (.690) | — | 18,64 (.734) | 11,89 (.468) |

Straight Exit



- Kit consists of 1 front shell, 1 rear shell, 1 cable clamp, 2 screws
- Optional locking hardware sold separately, see page 5

| Shell Size | Layout | Part Number | A ±0,15 (.006) | B ±0,30 (.012) | C ±0,30 (.012) | D ±0,30 (.120) | E ±0,20 (.008) | øH Max. |
|------------|--------|--------------|----------------|----------------|----------------|----------------|----------------|--------------|
| DE | 9 | 980-2000-350 | 24,95 (.982) | 30,81 (1.213) | 23,70 (.933) | 16,00 (.630) | 35,99 (1.417) | 7,32 (.288) |
| DA | 15 | 980-2000-351 | 33,30 (1.311) | 39,09 (1.539) | 31,80 (1.252) | 16,00 (.630) | 42,00 (1.654) | 8,31 (.327) |
| DB | 25 | 980-2000-352 | 47,00 (1.850) | 53,01 (2.087) | 45,01 (1.772) | 16,00 (.630) | 42,00 (1.654) | 10,52 (.414) |
| DC | 37 | 980-2000-353 | 63,45 (2.498) | 69,29 (2.728) | 60,30 (2.374) | 16,00 (.630) | 42,00 (1.654) | 12,32 (.485) |
| DD | 50 | 980-2000-354 | 61,10 (2.410) | 66,90 (2.634) | 58,30 (2.295) | 19,00 (.748) | 42,00 (1.654) | 13,00 (.512) |

Materials and Finishes

| | |
|-----------|-------------------------------|
| Material: | Thermoplastic, UL 94V-0 rated |
|-----------|-------------------------------|



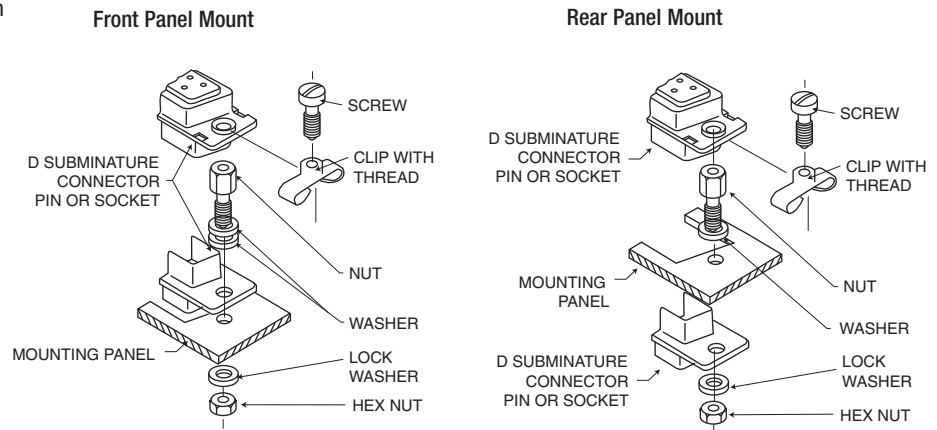
Screw Lock Assemblies

ITT offers the largest variety of locking and latching hardware. Refer to the accessories selection guide on pages 2-3 for use with Cannon backshells.

Product Features

- Ensures positive mating
- Provides locking and latching for high vibration applications

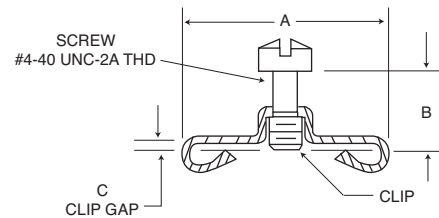
www.DataSheet4U.com



Male Screw Lock



- Kit consists of 1 screw and 1 clip
- Order 2 per connector



Materials and Finishes

| | |
|-----------|--------------------|
| Material: | Steel |
| Finish: | Chromate over Zinc |

| Shell Size | Part Number | A ±0,38(1.5) | B ±0,2 (.010) | C ±0,13 (.005) | RoHS Compliant Part Number |
|----------------|-------------|-----------------|------------------|-------------------|----------------------------|
| DE, DA, DB, DC | D20419 | 14,10 (.555) | 6,35 (.250) | 1,22 (.048) | D20419-211 |
| DE, DA, DB, DC | D20419-18 | 14,10 (.555) | 7,14 (.281) | 1,70 (.067) | D20419-212 |
| DE, DA, DB, DC | D20419-21 | 14,10 (.555) | 7,14 (.281) | 2,34 (.092) | D20419-213 |
| DE, DA, DB, DC | D20419-104 | 14,10 (.555) | 7,92 (.312) | 2,34 (.092) | D20419-214 |
| DD | D20420 | 16,66 (.656) | 6,35 (.250) | 1,22 (.048) | D20420-157 |
| DD | D20420-13 | 16,66 (.656) | 7,14 (.281) | 1,70 (.067) | D20420-158 |
| DD | D20420-15 | 16,66 (.656) | 7,14 (.281) | 2,34 (.092) | D20420-159 |
| DD | D20420-86 | 16,66 (.656) | 7,92 (.312) | 2,34 (.092) | D20420-160 |

Dimensions shown in mm (inch)
Specifications and dimensions subject to change

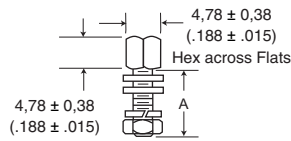
www.ittcannon.com

Female Screw Lock

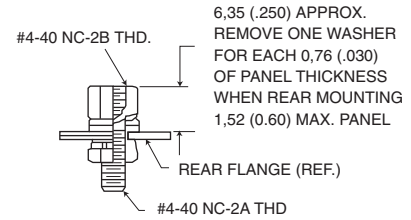


- Kit consists of 1 nut, 3 washer, 1 lock washer, 1 hex nut.
- Order 2 per connector.

Front Panel Mount



Rear Panel Mount

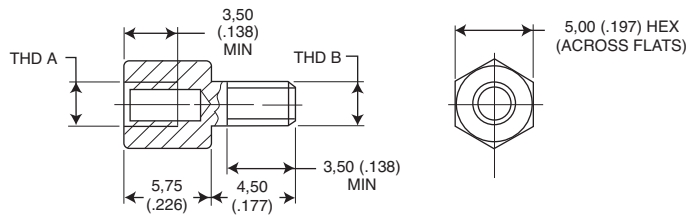
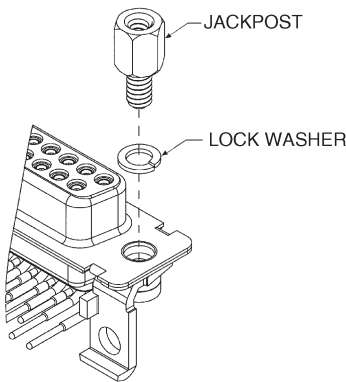


NOTE: (1) A 6 inch/pound (female) and 4 inch/pound (male) maximum torque during assembly is recommended on steel screw lock assemblies. (2) A third flat washer is supplied for front panel mounting of tab shell connectors.

| | |
|-----------|---|
| Material: | Steel |
| Finish: | Chromate over Cadmium (Mil Spec) or Zinc (RoHS) |

| Yellow Chromate over Cadmium | Mil Spec Part Number | Zinc with Clear Chromate | A ± 0,38 (.015) | RoHS Compliant Part Number |
|------------------------------|----------------------|--------------------------|-----------------|----------------------------|
| D20418-2 | M24308/26-1 | D20418-80 | 7,92 (.312) | D20418-134 |
| D20418-50 | — | — | 12,70 (.500) | D20418-135 |
| D20418-39 | M24308/26-1 | — | 15,88 (.625) | D20418-136 |
| D20418-74 | — | — | 19,05 (.750) | D20418-137 |

Screw Locks for Connectors with Integral Threaded Inserts



| Part Number | Thread Code | |
|-------------|---------------|---------------|
| | THD A | THD B |
| D121073-39 | # 4-40 UNC-2B | # 4-40 UNC-2A |
| D112041 * | # 4-40 UNC-2B | # 4-40 UNC-2A |
| D121073-42 | M3 | M3 |

* without lock washer

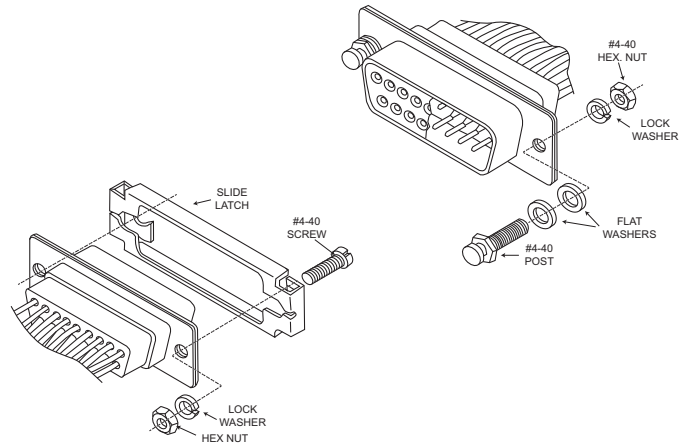
- Kit consists of 1 jackpost, 1 lock washer.
- Order 2 per connector.

Screw Lock Assemblies

ITT offers the largest variety of locking and latching hardware. Refer to the accessories selection guide on pages 2-3 for use with Cannon backshells.

Product Features

- Ensures positive mating
- Provides locking and latching for high vibration applications

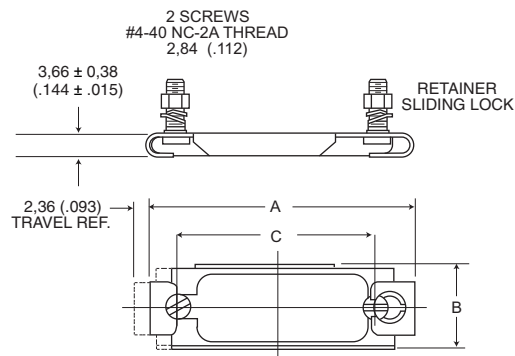


www.DataSheet4U.com

Sliding Lock Retainer Assembly



- Ideal for Ethernet Applications
- Kit consists of 1 sliding lock plate, 2 mounting screws, 2 lock washer, 2 hex nuts
- Order 1 kit per connector



| Descriptions | Material | Finish/ Treatment |
|--------------------------------------|-----------------|------------------------------|
| Sliding Lock Plate | Stainless Steel | Passivated |
| Screw, Mounting Washer Lock Nut, Hex | Steel | Trivalent Chromate over Zinc |

| Shell Size | Layout | Part Number | A ± 0,38 (.015) | B ± 0,38 (.015) | C ± 0,13 (.005) |
|------------|--------|-------------|-----------------|-----------------|-----------------|
| DE | 9 | DE51224-1 | 35,05 (1.380) | 12,70 (.500) | 25,00 (.984) |
| DA | 15 | DA51220-1* | 43,70 (1.720) | 12,70 (.500) | 33,32 (1.312) |
| DB | 25 | DB51221 | 57,40 (2.260) | 12,70 (.500) | 47,04 (1.852) |
| DC | 37 | DC51222 | 73,86 (2.908) | 12,70 (.500) | 63,50 (2.500) |
| DD | 50 | DD51223 | 71,47 (2.814) | 15,47 (.609) | 61,11 (2.406) |

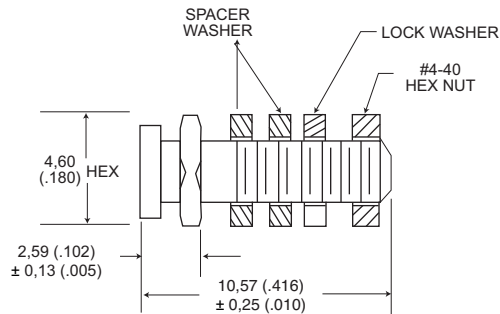
* Meets IEEE 802.3 Ethernet Specification

Slide Lock Post Assemblies



- Kit consists of 1 post, 2 washer, 1 lock washer, 1 hex nut.
- Order 2 kits per connector.

| | |
|------------------------|--------------------|
| Part Number: | D53018 |
| Materials and Finishes | |
| Material: | Steel |
| Finish: | Chromate over Zinc |



NOTE: When rear-mounting connector to a 1/16" panel, delete the 2 washer.

Dimensions shown in mm (inch)
Specifications and dimensions subject to change

www.ittcannon.com

Spring Latch Assemblies

ITT offers the largest variety of locking and latching hardware. Refer to the accessories selection guide on pages 2-3 for use with Cannon backshells.

Product Features

- Low Cost
- Minimizes field connection time
- Positive lock between connectors
- Packaged 2 kits per bag

Materials and Finishes

| | |
|------------|-----------------|
| Material: | Stainless Steel |
| Treatment: | Passivated |

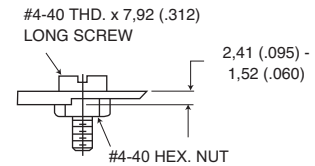
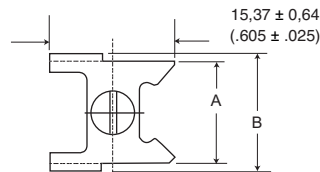
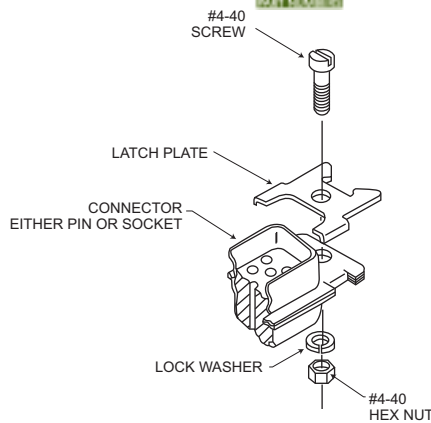
Unlocked



Locked



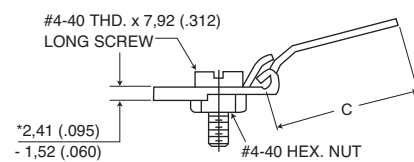
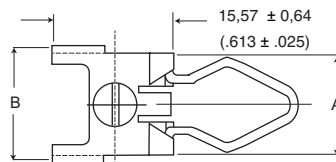
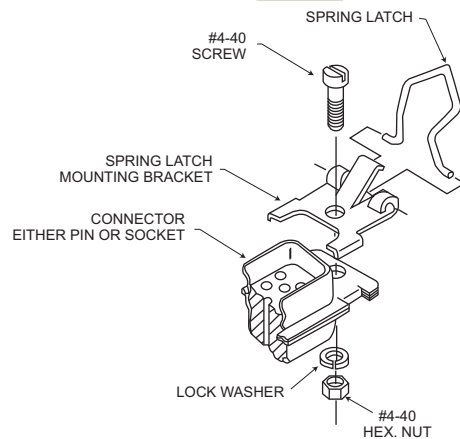
Spring Latch Plate Assembly



| Shell Size | Layout | Part Number | A ± 0,38 (.015) | B ± 0,38 (.015) |
|----------------|--------------|-------------|--------------------|--------------------|
| DE, DA, DB, DC | 9,15, 25, 37 | D110278 | 12,42 (.489) | 14,35 (.565) |
| DD | 50 | D110280 | 15,47 (.609) | 17,09 (.673) |

- Kit consists of 1 plate, 1 screw, 1 lock washer, 1 hex nut.
- Order 2 kits per connector.

Spring Latch Assembly



| Shell Size | Layout | Part Number | A ± 0,38 (.015) | B ± 0,38 (.015) | C ± 0,51 (.020) |
|----------------|--------------|-------------|--------------------|--------------------|--------------------|
| DE, DA, DB, DC | 9,15, 25, 37 | D110277 | 12,42 (.489) | 14,35 (.565) | 18,59 (.732) |
| DD | 50 | D110279 | 15,47 (.609) | 17,09 (.673) | 18,59 (.732) |

- Kit consists of 1 spring, 1 screw, 1 bracket, 1 lock washer, 1 hex nut.
- Order 2 kits per connector. Front panel mounting.

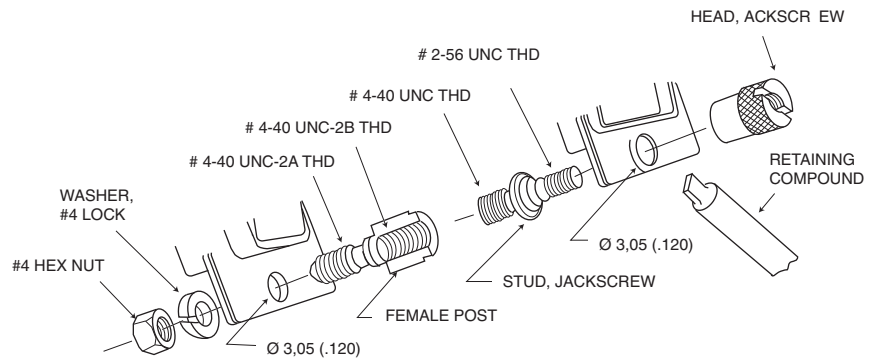


Jackscrew/Jackpost Assemblies

ITT offers the largest variety of locking and latching hardware. Refer to the accessories selection guide on pages 2-3 for use with Cannon backshells.

Jackscrew Assembly

Jackpost Assembly

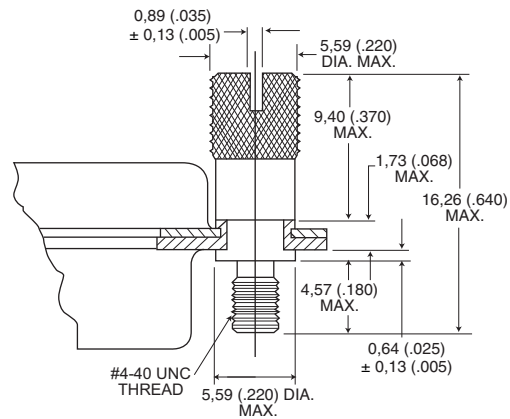


www.DataSheet4U.com

Jackscrew Assembly



- Kit consists of 2 studs, 2 heads, 1 tube retaining compound (US only)
- Order one kit per connector

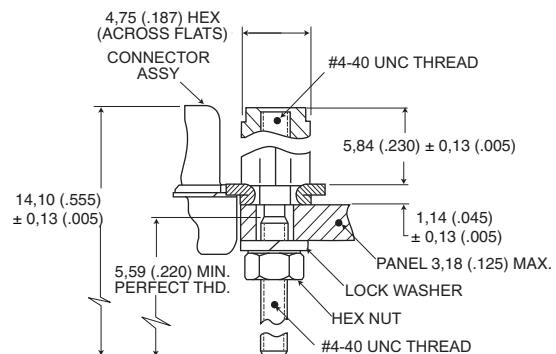


| | |
|------------------------|-----------------|
| Part Number: | D110550 |
| Materials and Finishes | |
| Material: | Stainless Steel |
| Treatment: | Passivated |

Jackpost Assembly



- Kit consists of 2 posts, 2 hex nuts, 2 lock washer
- Order one kit per connector



| | |
|------------------------|-----------------|
| Part Number: | D110551 |
| Materials and Finishes | |
| Material: | Stainless Steel |
| Treatment: | Passivated |

NOTE: Jack post is not compatible with rear-panel mount connectors.

Dimensions shown in mm (inch)
Specifications and dimensions subject to change

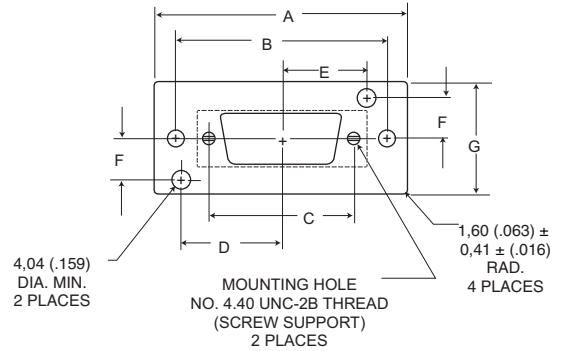
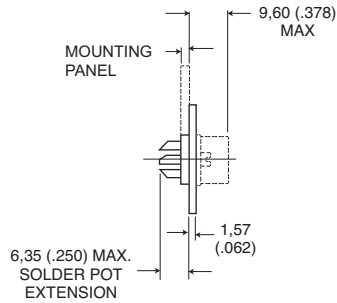
www.ittcannon.com

Guide Pin Plate

Female



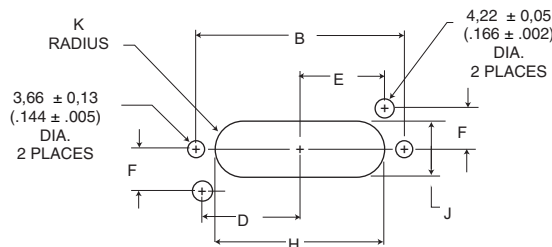
- Useful in blind mate applications.
- Kit consists of 1 plate, 2 screws.
- Guide pin inserts for Size 8 cavities for Combo D® connectors also available.



| | |
|------------------------------|--------------------|
| Plate and Hardware Material: | Steel |
| Plate and Hardware Finish: | Chromate over Zinc |

| Shell Size | Layout | Part Number | A ±0,41 (.016) | B ±0,13 (.005) | C ±0,13 (.005) | D ±0,13 (.005) | E ±0,13 (.005) | F ±0,13 (.005) | G ±0,41 (.016) | H ±0,41 (.016) | J ±0,41 (.016) | K ±0,41 (.016) |
|------------|--------|-------------|-------------------|-------------------|-------------------|-------------------|-------------------|-------------------|-------------------|-------------------|-------------------|-------------------|
| DE | 9 | DE111920 | 49,61 (1.953) | 40,08 (1.578) | 25,00 (.986) | 18,65 (.734) | 15,27 (.601) | 9,52 (.375) | 25,40 (1.000) | 30,58 (1.204) | 12,29 (.484) | 6,15 (.242) |
| DA | 15 | DA22214 | 57,96 (2.282) | 48,41 (1.906) | 33,32 (1.312) | 22,81 (.898) | 19,43 (.765) | 9,52 (.375) | 25,40 (1.000) | 38,91 (1.532) | 12,29 (.484) | 6,15 (.242) |
| DB | 25 | DB22254 | 71,63 (2.820) | 62,13 (2.446) | 47,04 (1.852) | 29,67 (1.168) | 26,29 (1.035) | 9,52 (.375) | 25,40 (1.000) | 51,21 (2.016) | 11,91 (.469) | 5,94 (.234) |
| DC | 37 | DC22071 | 88,11 (3.469) | 78,59 (3.094) | 63,50 (2.500) | 37,90 (1.492) | 34,52 (1.359) | 9,52 (.375) | 25,40 (1.000) | 67,49 (2.657) | 11,91 (.469) | 5,94 (.234) |
| DD | 50 | DD21961 | 85,72 (3.375) | 76,20 (3.000) | 61,11 (2.406) | 36,50 (1.437) | 33,32 (1.312) | 11,10 (.437) | 28,58 (1.125) | 65,10 (2.563) | 14,30 (.563) | 7,16 (.282) |

Recommended Panel Cutout

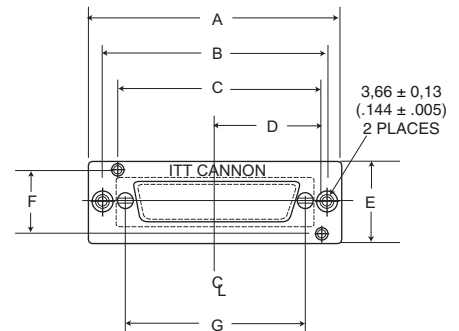
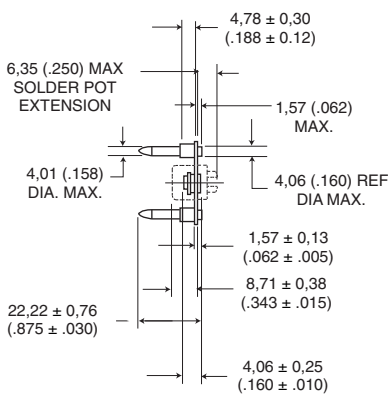


Guide Pin Plate

Male



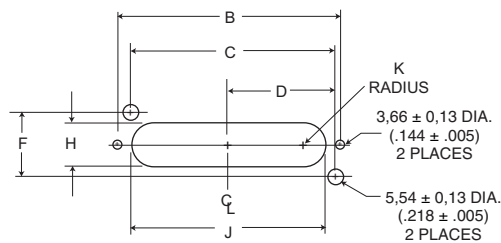
- Useful in blind mate applications.
- Kit consists of 1 plate, 2 sems screws, 2 rivets, 2 guide pins, 2 washer
- Guide pin inserts for Size 8 cavities for Combo D® connectors also available.



| | |
|------------------------------|--------------------|
| Plate and Hardware Material: | Steel |
| Plate and Hardware Finish: | Chromate over Zinc |
| Guide Pin Material: | Stainless Steel |

| Shell Size | Layout | Part Number | A ±0,41 (.016) | B ±0,13 (.005) | C ±0,13 (.005) | D ±0,13 (.005) | E ±0,13 (.005) | F ±0,13 (.005) | G ±0,41 (.016) | H ±0,41 (.016) | J ±0,41 (.016) | K ±0,41 (.016) |
|------------|--------|-------------|-------------------|-------------------|-------------------|-------------------|-------------------|-------------------|-------------------|-------------------|-------------------|-------------------|
| DE | 9 | DE111919 | 49,61 (1.953) | 40,08 (1.578) | 33,91 (1.335) | 18,65 (.734) | 25,40 (1.000) | 19,05 (.750) | 25,00 (.984) | 12,29 (.484) | 30,58 (1.204) | 6,15 (.242) |
| DA | 15 | DA22213 | 57,96 (2.282) | 48,41 (1.906) | 42,24 (1.663) | 22,81 (.898) | 25,40 (1.000) | 19,05 (.750) | 33,32 (1.312) | 12,29 (.484) | 38,89 (1.531) | 6,15 (.242) |
| DB | 25 | DB22255 | 71,63 (2.820) | 62,13 (2.446) | 55,96 (2.203) | 29,67 (1.168) | 25,40 (1.000) | 19,05 (.750) | 47,04 (1.852) | 12,29 (.484) | 51,99 (2.047) | 6,15 (.242) |
| DC | 37 | DC22070 | 88,11 (3.469) | 78,59 (3.094) | 72,42 (2.851) | 37,90 (1.492) | 25,40 (1.000) | 19,05 (.750) | 63,50 (2.500) | 12,29 (.484) | 68,25 (2.687) | 6,15 (.242) |
| DD | 50 | DD21962 | 85,72 (3.375) | 76,20 (3.000) | 69,82 (2.749) | 36,50 (1.437) | 28,58 (1.125) | 22,20 (.874) | 61,11 (2.406) | 15,06 (.593) | 66,93 (2.635) | 7,52 (.296) |

Recommended Panel Cutout



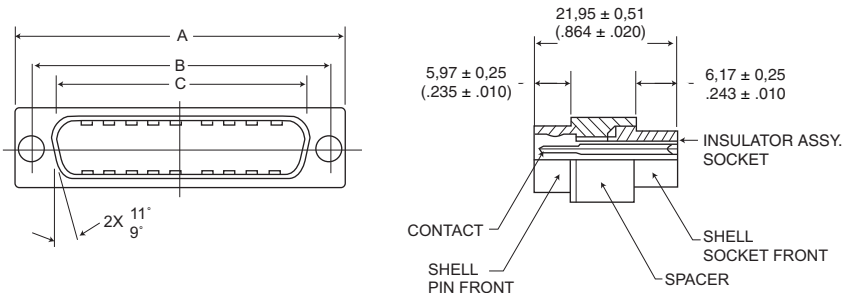
Dimensions shown in mm (inch)
Specifications and dimensions subject to change

www.ittcannon.com

Connector Saver



Engaging Face, Pin Side



NOTE: Hardware removed for clarity.

| Shell Size | Layout | Part Number | A ± 0,40 (.015) | B ± 0,25 (.010) | C ± 0,25 (.010) |
|------------|--------|-------------|--------------------|--------------------|--------------------|
| DE | 9 | DEBMA9PS | 30,81 (1.213) | 24,99 (.984) | 16,92 (.666) |
| DA | 15 | DABMA15PS | 39,14 (1.541) | 33,32 (1.312) | 25,25 (.994) |
| DB | 50 | DBBMA25PS | 53,04 (2.088) | 47,04 (1.852) | 38,96 (1.534) |
| DC | 37 | DCBMA37PS | 69,32 (2.729) | 63,50 (2.500) | 55,42 (2.182) |
| DD | 50 | DDBMA50PS | 66,93 (2.635) | 61,11 (2.406) | 52,81 (2.079) |

Specifications

Temperature: -55° C to 105° C

Current Rating: 7 A

Dielectric withstanding Voltage: 500 VAC at Sea Level

Materials and Finishes

| Description | Material | Finish |
|------------------|-------------------------------|--------------------------|
| Shells | Steel | Tin |
| Insulator | Black Thermoplastic, UL 94V-0 | — |
| Contacts | Copper Alloy | Gold Over Nickel |
| Spacer | Zinc Alloy | — |
| Locking Hardware | Steel | Clear Chromate Over Zinc |

Gender Changer

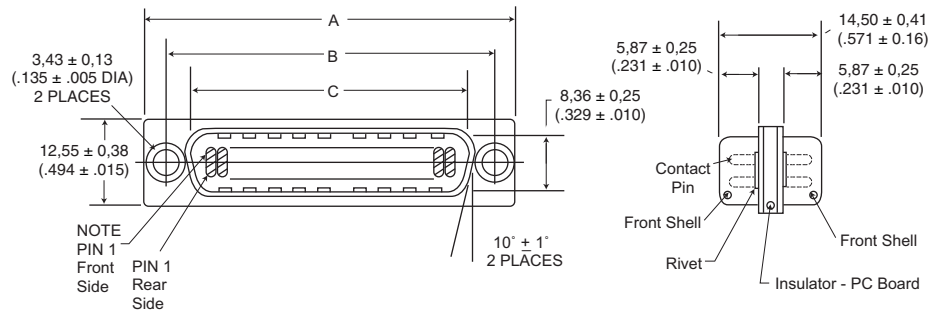
Male/Male



Gender Changers modify the mating interface to allow connectors of the same gender to mate.

Product Features

- Low cost way to correct design errors
- Optional Hardware allows design flexibility.



NOTE: Grounding dimples available on male /male only.

| Shell Size | Layout | Part Number Without Hardware | Part Number With Hardware | A ± 0,38 (.015) | B ± 0,13 (.005) | C ± 0,13 (.005) |
|------------|--------|------------------------------|---------------------------|-----------------|-----------------|-----------------|
| DE | 9 | DE111805-1 | DE111805-5 | 30,81 (1.213) | 24,99 (.984) | 16,92 (.666) |
| DA | 15 | DA111806-1 | DA111806-5 | 39,14 (1.541) | 33,32 (1.312) | 25,25 (.994) |
| DB | 25 | DB111807-1 | DB111807-5 | 53,04 (2.088) | 47,04 (1.852) | 38,96 (1.534) |
| DC | 37 | DC111808-1 | DC111808-5 | 69,32 (2.729) | 63,50 (2.500) | 55,42 (2.182) |

NOTE: DD-50 not available in male/male.

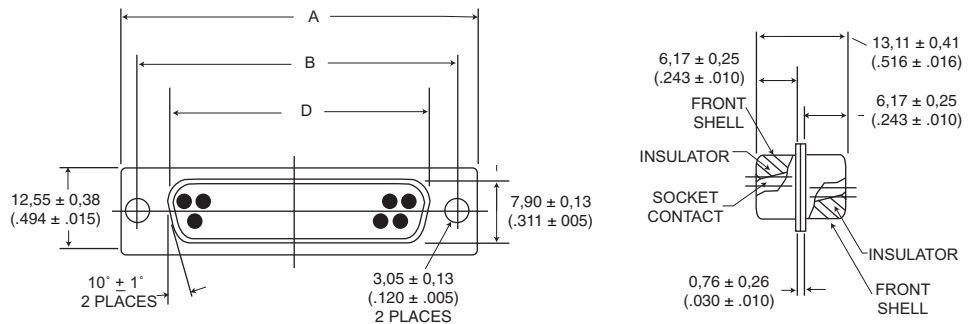
Female/Female



Gender Changers modify the mating interface to allow connectors of the same gender to mate.

Product Features

- Low cost way to correct design errors
- Optional Hardware allows design flexibility.



| Shell Size | Layout | Part Number Without Hardware | Part Number With Hardware | A ± 0,38 (.015) | B ± 0,13 (.005) | C ± 0,13 (.005) |
|------------|--------|------------------------------|---------------------------|-----------------|-----------------|-----------------|
| DE | 9 | DE111813 | DE111805-5 | 30,81 (1.213) | 24,99 (.984) | 16,33 (.643) |
| DA | 15 | DA111810 | DA111806-5 | 39,14 (1.541) | 33,32 (1.312) | 24,66 (.971) |
| DB | 25 | DB111811 | DB111807-5 | 53,04 (2.088) | 47,04 (1.852) | 38,38 (1.511) |

NOTE: DD-37 and DD-50 not available for female/female.

Specifications

Temperature: -55° C to 105° C
 Current Rating: 3 A
 Dielectric withstanding Voltage: 500 VAC at Sea Level

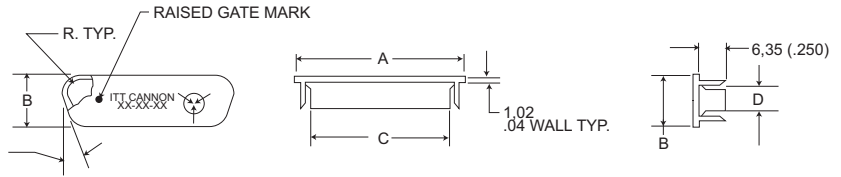
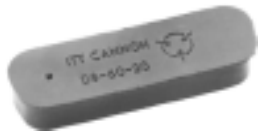
Materials and Finishes

| Description | Material | Finish |
|------------------|-------------------------------|------------------------------------|
| Shells | Steel | Tin |
| Insulator M/M | Glass Epoxy | — |
| F/F | Black Thermoplastic, UL 94V-0 | — |
| Contacts | Copper Alloy | Gold Over Nickel |
| Spacer | Copper Alloy | Tin/Lead |
| Locking Hardware | Steel | Clear Chromate Over Zinc and Mylar |

Dimensions shown in mm (inch)
 Specifications and dimensions subject to change

www.ittcannon.com

Dust Cap



Dust caps provide protection from moisture and dust for unused I/O ports.

NOTE: C dim. applies at point of maximum Integral interface length. Drawing shown for Black Anti-static caps. Dimensions shown are reference only.

Product Features

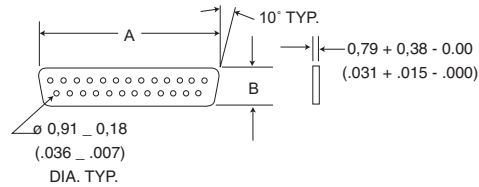
- Conductive Dust Caps provide a surface resistivity of at least 1×10^6 ohms/sq
- Dust Caps meet the static decay test requirements of MIL-B- 81705C, Type II.
- Dust Caps have an integral flange for easy application and removal

Materials and Finishes

Material: Polyethylene

| Black Antistatic | Red Caps | I.D. | A | B | C | D |
|------------------|------------|--------|---------------|--------------|---------------|--------------|
| DE-59-20BA | DE-59-20RC | Socket | 20,32 (.800) | 11,43 (.450) | 16,36 (.644) | 7,59 (.299) |
| DA-59-20BA | DA-59-20RC | Socket | 28,45 (1.120) | 11,68 (.460) | 24,59 (.968) | 7,62 (.300) |
| DB-59-20BA | DB-59-20RC | Socket | 42,42 (1.670) | 11,68 (.460) | 38,25 (1.506) | 7,49 (.295) |
| DC-59-20BA | DC-59-20RC | Socket | 58,93 (2.320) | 11,68 (.460) | 54,81 (2.158) | 7,37 (.290) |
| DD-59-20BA | DD-59-20RC | Socket | 56,90 (2.240) | 14,48 (.570) | 53,11 (2.091) | 10,41 (.410) |
| DE-60-20BA | DE-60-20RC | Pin | 21,84 (.860) | 12,95 (.510) | 17,78 (.700) | 8,92 (.351) |
| DA-60-20BA | DA-60-20RC | Pin | 30,48 (1.200) | 12,95 (.510) | 26,52 (1.044) | 9,02 (.355) |
| DB-60-20BA | DB-60-20RC | Pin | 44,20 (1.740) | 13,46 (.530) | 39,60 (1.559) | 9,09 (.358) |
| DC-60-20BA | DC-60-20RC | Pin | 60,71 (2.390) | 13,46 (.530) | 56,90 (2.240) | 9,37 (.369) |
| DD-60-20BA | DD-60-20RC | Pin | 58,17 (2.290) | 16,00 (.630) | 54,28 (2.137) | 12,04 (.474) |

Interfacial Seal



Interfacial seals provide moisture resistance at the mating interface.

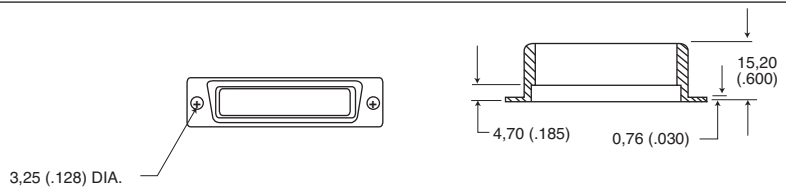
Product Features

- Other Interfacial Seals in the Combo D® layout are available upon request.

Material: Silastic Sheet

| Shell Size | Layout | Part Number | B | C |
|------------|--------|--------------|---------------|--------------|
| DE | 9 | DE53750 | 16,66 (.656) | 8,41 (.331) |
| DA | 15 | DA53750-1 | 24,99 (.984) | 8,41 (.331) |
| DB | 25 | DB53750-2 | 38,88 1.531) | 8,41 (.331) |
| DC | 37 | DC53750-3 | 55,14 (2.171) | 8,41 (.331) |
| DD | 50 | DD53750-4 | 52,78 (2.078) | 11,10 (.437) |
| DC | 21WA4 | 075-0354-003 | 55,14 (2.171) | 8,41 (.331) |
| DE | 15 | 273-0333-000 | 16,66 (.656) | 8,41 (.331) |
| DA | 26 | 273-0334-000 | 24,99 (.984) | 8,41 (.331) |
| DB | 44 | 273-0335-000 | 38,88 1.531) | 8,41 (.331) |
| DC | 62 | 273-0336-000 | 55,14 (2.171) | 8,41 (.331) |
| DD | 78 | 273-0337-000 | 52,78 (2.078) | 11,10 (.437) |

Potting Shell



Potting shells are molded with a thin flange 0,76 (.030) to permit the use of D Submarine locking devices.

Materials and Finishes

Material: Nylon
Color: Natural (white)

| Shell Size | Layout | Part Number |
|------------|--------|-------------|
| DE | 9 | DE50904-1 |
| DA | 15 | DA50905-1 |
| DB | 25 | DB50906-1 |
| DC | 37 | DC50907-1 |
| DD | 50 | DD50908-1 |



Cannon D-Subminiature Accessories

| Standard Part # | RoHS Part # | Page # | Standard Part # | RoHS Part # | Page # | Standard Part # | RoHS Part # | Page # |
|-----------------|-------------|--------|-----------------|-------------|--------|-----------------|-------------|--------|
| 075-0354-003 | Same | 20 | DA121073-50 | Same | 4 | DC24660 | DC24660-4 | 7 |
| 250-8501-004 | Same | 5 | DA19678-1 | DA19678-212 | 8 | DC50907-1 | Same | 20 |
| 250-8501-009 | Same | 5 | DA19977-1 | DA19977-68 | 8 | DC51214 | Same | 10 |
| 250-8501-010 | Same | 5 | DA20961 | DA20961-26 | 7 | DC51215 | Same | 10 |
| 250-8501-013 | Same | 5 | DA22213 | Same | 17 | DC51222 | Same | 13 |
| 273-0333-000 | Same | 20 | DA22214 | Same | 16 | DC53750-3 | Same | 20 |
| 273-0334-000 | Same | 20 | DA24658 | DA24658-28 | 7 | DC-59-20 | Same | 20 |
| 273-0335-000 | Same | 20 | DA50905-1 | Same | 20 | DC-60-20 | Same | 20 |
| 273-0336-000 | Same | 20 | DA51210 | Same | 10 | DCBMA37PS | Same | 18 |
| 273-0337-000 | Same | 20 | DA51211 | Same | 10 | DD115339-24 | Same | 9 |
| 980-2000-345 | Same | 6 | DA51220-1 | Same | 13 | DD121073-153 | Same | 4 |
| 980-2000-346 | Same | 6 | DA53750-1 | Same | 20 | DD121073-53 | Same | 4 |
| 980-2000-347 | Same | 6 | DA-59-20 | Same | 20 | DD19678-4 | DD19678-215 | 8 |
| 980-2000-348 | Same | 6 | DA-60-20 | Same | 20 | DD19977-4 | DD19977-71 | 8 |
| 980-2000-350 | Same | 10 | DABMA15PS | Same | 18 | DD20964 | DD20964-32 | 7 |
| 980-2000-351 | Same | 10 | DABS-15 | Same | 9 | DD21961 | Same | 16 |
| 980-2000-352 | Same | 10 | DB111807-1 | Same | 19 | DD21962 | Same | 17 |
| 980-2000-353 | Same | 10 | DB111807-5 | Same | 19 | DD24661 | DD24661-3 | 7 |
| 980-2000-354 | Same | 10 | DB111807-5 | Same | 19 | DD50908-1 | Same | 20 |
| 980-2000-355 | Same | 10 | DB111811 | Same | 19 | DD51216 | Same | 10 |
| D110277 | Same | 14 | DB115339-22 | Same | 9 | DD51217 | Same | 10 |
| D110278 | Same | 14 | DB121073-151 | Same | 4 | DD51223 | Same | 13 |
| D110279 | Same | 14 | DB121073-51 | Same | 4 | DD53750-4 | Same | 20 |
| D110280 | Same | 14 | DB19678-2 | DB19678-213 | 8 | DD-59-20 | Same | 20 |
| D110550 | Same | 15 | DB19977-2 | DB19977-69 | 8 | DD-60-20 | Same | 20 |
| D110551 | Same | 15 | DB20962 | DB20962-30 | 7 | DDBMA50PS | Same | 18 |
| D121073-19 | Same | 5 | DB22254 | Same | 16 | DE111805-1 | Same | 19 |
| D121073-39 | Same | 12 | DB22255 | Same | 17 | DE111805-5 | Same | 19 |
| D121073-42 | Same | 12 | DB24659 | DB24659-27 | 7 | DE111805-5 | Same | 19 |
| D20418-2 | D20418-134 | 12 | DB50906-1 | Same | 20 | DE111813 | Same | 19 |
| D20418-39 | D20418-136 | 12 | DB51212 | Same | 10 | DE111919 | Same | 17 |
| D20418-50 | D20418-135 | 12 | DB51213 | Same | 10 | DE111920 | Same | 16 |
| D20418-74 | D20418-137 | 12 | DB51221 | Same | 13 | DE115339-20 | Same | 9 |
| D20419 | D20419-211 | 11 | DB53750-2 | Same | 20 | DE121073-154 | Same | 4 |
| D20419-104 | D20419-214 | 11 | DB-59-20 | Same | 20 | DE121073-54 | Same | 4 |
| D20419-18 | D20419-212 | 11 | DB-60-20 | Same | 20 | DE19977-5 | DE19977-72 | 8 |
| D20419-21 | D20419-213 | 11 | DBBMA25PS | Same | 18 | DE24657 | DE24657-29 | 7 |
| D20420 | D20420-157 | 11 | DBBS-25 | Same | 9 | DE44994 | DE44994-14 | 7 |
| D20420-13 | D20420-158 | 11 | DC111808-1 | Same | 19 | DE50904-1 | Same | 20 |
| D20420-15 | D20420-159 | 11 | DC111808-5 | Same | 19 | DE51218 | Same | 10 |
| D20420-86 | D20420-160 | 11 | DC115339-23 | Same | 9 | DE51219 | Same | 10 |
| D53018 | Same | 13 | DC121073-152 | Same | 4 | DE51224-1 | Same | 13 |
| DA111806-1 | Same | 19 | DC121073-52 | Same | 4 | DE53750 | Same | 20 |
| DA111806-5 | Same | 19 | DC19678-3 | DC19678-214 | 8 | DE-59-20 | Same | 20 |
| DA111806-5 | Same | 19 | DC19977-3 | DC19977-70 | 8 | DE-60-20 | Same | 20 |
| DA111810 | Same | 19 | DC20963 | DC20963-27 | 7 | DEBMA9PS | Same | 18 |
| DA115339-21 | Same | 9 | DC22070 | Same | 17 | DEBS-9 | Same | 9 |
| DA121073-150 | Same | 4 | DC22071 | Same | 16 | | | |

Product Safety Information

1. MATERIAL CONTENT AND PHYSICAL FORM

Electrical connectors do not usually contain hazardous materials. They contain conducting and non-conducting materials and can be divided into two groups.

a) Printed circuit types and low cost audio types which employ all plastic insulators and casings.

b) Rugged, Fire Barrier and High Reliability types with metal casings and either natural rubber, synthetic rubber, plastic or glass insulating materials. Contact materials vary with type of connector and also application and are usually manufactured from either: Copper, copper alloys, nickel, alumel, chromel or steel. In special applications, other alloys may be specified.

2. FIRE CHARACTERISTICS AND ELECTRIC SHOCK HAZARD

There is no fire hazard when the connector is correctly wired and used within the specified parameters. Incorrect wiring or assembly of the connector or careless use of metal tools or conductive fluids, or transit damage to any of the component parts may cause electric shock or burns. Live circuits must not be broken by separating mated connectors as this may cause arcing, ionization and burning. Heat dissipation is greater at maximum resistance in a circuit. Hot spots may occur when resistance is raised locally by damage, e.g. cracked or deformed contacts, broken strands of wire. Local overheating may also result from the use of the incorrect application tools or from poor quality soldering or slack screw terminals. Overheating may occur if the ratings in the product Data Sheet/Catalog are exceeded and can cause breakdown of insulation and hence electric shock. If heating is allowed to continue it intensifies by further increasing the local resistance through loss of temper of spring contacts, formation of oxide film on contacts and wires and leakage currents through carbonization of insulation and tracking paths. Fire can then result in the presence of combustible materials and this may release noxious fumes. Overheating may not be visually apparent. Burns may result from touching overheated components.

3. HANDLING

Care must be taken to avoid damage to any component parts of electrical connectors during installation and use. Although there are normally no sharp edges, care must be taken when handling certain components to avoid injury to fingers. Electrical connectors may be damaged in transit to the customers, and damage may result in creation of hazards. Products should therefore be examined prior to installation/use and rejected if found to be damaged.

4. DISPOSAL

Incineration of certain materials may release noxious or even toxic fumes.

5. APPLICATION

Connectors with exposed contacts should not be selected for use on the current supply side of an electrical circuit, because an electric shock could result from touching exposed contacts on an unmated connector. Voltages in excess of 30 V ac or 42.5 V dc are potentially hazardous and care should be taken to ensure that such voltages cannot be transmitted in any way to exposed metal parts of the connector body. The connector and wiring should be checked, before making live, to have no damage to metal parts or insulators, no solder blobs, loose strands, conducting lubricants, swarf, or any other undesired conducting particles. Circuit resistance and continuity check should be made to make certain that there are no high resistance joints or spurious conducting paths. Always use the correct application tools as specified in the Data Sheet/Catalog. Do not permit untrained personnel to wire, assemble or tamper with connectors. For operation voltage please see appropriate national regulations.

IMPORTANT GENERAL INFORMATION

(i) Air and creepage paths/Operating voltage. The admissible operating voltages depend on the individual applications and the valid national and other applicable safety regulations.

For this reason the air and creepage path data are only reference values. Observe reduction of air and creepage paths due to PC board and/or harnessing.

(ii) Temperature

All information given are temperature limits. The operation temperature depends on the individual application.

(iii) Other important information

ITT continuously endeavors to improve their products. Therefore, Cannon products may deviate from the description, technical data and shape as shown in this catalog and data sheets.

“Engineered for life” and “Cannon” are registered trademarks of ITT Corporation ©2006. All data subject to change without notice.

PRODUCT WARRANTY

ITT Electronic Components, a division of ITT Corporation, manufactures the highest quality products available in the marketplace; however these products are intended to be used in accordance with the specifications in this publication. Any use or application that deviates from the stated operating specifications is not recommended and may be unsafe. No information and data contained in this publication shall be construed to create any liability on the part of ITT. Any new issue of this publication shall automatically invalidate and supersede any and all previous issues. A limited warranty applies to Cannon products. Except for obligations assumed by ITT under this warranty, ITT shall not be liable for any loss, damage, cost of repairs, incidental or consequential damages of any kind, whether or not based on express or implied warranty, contract, negligence or strict liability arising in connection with the design, manufacture, sale, use or repair of the products. Product availability, prices and delivery dates are exclusively subject to our respective order confirmation form; the same applies to orders based on development samples delivered. This publication is not to be construed as an offer. It is intended merely as an invitation to make an offer. By this publication, ITT does not assume responsibility or any liability for any patent infringements or other rights of third parties which may result from its use. Reprinting this publication is generally permitted, indicating the source. However, ITT's prior consent must be obtained in all cases.



Rack & Panel Connectors

ITT is the world leader in rack and panel connectors, offering unmatched variety of shell configurations and insert arrangements, materials, plating and contact options. Many of our standard and custom designs meet the stringent requirements of ARINC 600, ARINC 404 (MIL-C-81659), and MIL-DTL-83733 standards.



www.ittcannon.com/rackandpanel

Circular/Filter/Hermetic Connectors

As a world leader in circular, filter and hermetic connectors, ITT can leverage its design and manufacturing expertise to fit virtually any application. Our expertise includes fast positive mating for a wide range of military applications, as well as numerous sizes and contact configuration for various harsh environments. ITT can also meet numerous specs, including NATO and MIL standards.



www.ittcannon.com/circulars • www.ittcannon.com/filter • www.ittcannon.com/hermetics

D-Subminiature Connectors

Cannon invented D-sub connectors in 1952. Our family of D-Subs now includes combinations of signal, power and RF, as well as severe service sealed connectors. Cannon D-Subs are available with an extensive line of backshells and accessories and are one of the most economical shielded connector solutions available. Qualified to the MIL-DTL-24308 specification.



www.ittcannon.com/dsubs

Fiber Optic Connectors and Cable Assemblies

Cannon fiber optic solutions provide an excellent performance/cost value. Performance can be tailored to the end system, and our use of superior materials and bonding agents provides highly effective solutions. Our wide variety of products includes fiber optic hybrid contacts, multi-channel, rack and panel, and hi-rel assemblies, including MIL and ARINC standard solutions.



www.ittcannon.com/fiberoptics

Microminiature Connectors

Cannon microminiature connectors offer high performance and reliability with exceptional versatility. Available in rectangular, circular and strip configurations for countless applications, many of our connectors meet or exceed applicable requirements of the MIL-DTL-83513 specification.



www.ittcannon.com/micro

ITT's Electronic Components business (www.ittcannon.com) is an international supplier of connectors, interconnects, cable assemblies, I/O card kits and smart card systems. As a worldwide leader in connector technology for nearly a century, ITT offers one of the industry's broadest product offerings, manufacturing capability worldwide, fast time to market, high volume/high yield capacity, robust design and Value-Based Product Development and an extensive sales and customer support network.



ITT
www.DataSheet4U.com



ITT

D-Subminiature Accessories Customer Support Locations

GERMANY

Cannonstrasse 1
Weinstadt, 71384
Tel: 49.7151.699.0
Fax: 49.7151.699.217

www.DataSheet4U.com

HONG KONG

Unit 901 & 912, West Tower,
Shun Tak Center
168-200 Connaught Road
Central, Hong Kong
Tel: +852.2732.2720
Fax: +852.2732.2919

ITALY

Corso Europa 41/43
Linate (MI),
Italy 20020
phone: 39.02938721
fax: 39.0293872300

UK

Jays Close, Viables Estate
Basingstoke, Hants, RG22 4BA
Tel: +44.1256.311850
Fax: +44.1256.332214

USA

666 East Dyer Road
Santa Ana, CA 92705
Tel: 714.557.4700
Fax: 714.628.2142

www.ittcannon.com

©2006 ITT Corporation. "Engineered for life" and "Cannon" are registered trademarks of ITT Corporation. Specification and other data are based on information available at the time of printing, and are subject to change without notice.

www.DataSheet4U.com

DSA-07-06