

**PLEASE CHECK WWW.MOLEX.COM FOR LATEST PART INFORMATION**

**Part Number:** [0442810003](#)  
**Status:** **Active**  
**Description:** 4.20mm (.165") Pitch Mini-Fit® Test Plug, Dual Row, 8 Circuits

**Documents:**

[3D Model](#) [Product Specification PS-44281-001 \(PDF\)](#)  
[Drawing \(PDF\)](#) [RoHS Certificate of Compliance \(PDF\)](#)

**General**

Product Family	PCB Headers
Series	44281
Application	Board-to-Board, Wire-to-Board
Product Literature Order No	USA-053
Product Name	Mini-Fit®

**Physical**

Breakaway	No
Circuits (Loaded)	8
Circuits (maximum)	8
Durability (mating cycles max)	10,000
First Mate / Last Break	No
Glow-Wire Compliant	No
Guide to Mating Part	No
Keying to Mating Part	None
Lock to Mating Part	Yes
Material - Plating Mating	Gold
Number of Rows	2
Orientation	Vertical
PC Tail Length (in)	0.250 In
PC Tail Length (mm)	6.35 mm
PCB Locator	No
PCB Retention	None
Packaging Type	Bag
Pitch - Mating Interface (in)	0.165 In
Pitch - Mating Interface (mm)	4.20 mm
Pitch - Term. Interface (in)	0.165 In
Pitch - Term. Interface (mm)	4.20 mm
Polarized to Mating Part	Yes
Polarized to PCB	No
Shrouded	Fully
Stackable	No
Surface Mount Compatible (SMC)	No
Temperature Range - Operating	-40°C to +105°C
Termination Interface: Style	Through Hole

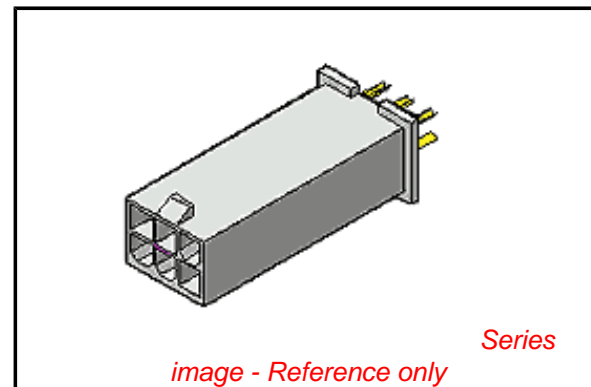
**Electrical**

Current - Maximum per Contact	2.5A
Voltage - Maximum	600V

**Material Info**

**Reference - Drawing Numbers**

Product Specification	PS-44281-001
Sales Drawing	SD-44281-001



**EU RoHS**

**ELV and RoHS  
Compliant**  
**REACH SVHC  
Not Reviewed**  
**Halogen-Free  
Status  
Not Reviewed**

**China RoHS**



**Need more information on product  
environmental compliance?**

Email [productcompliance@molex.com](mailto:productcompliance@molex.com)  
 For a multiple part number RoHS Certificate of  
 Compliance, [click here](#)

Please visit the [Contact Us](#) section for any  
 non-product compliance questions.

**Search Parts in this Series**

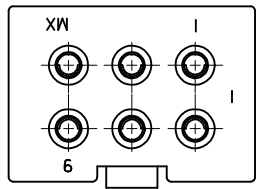
44281Series

**Mates With**

42474 , 44516 , 5557d

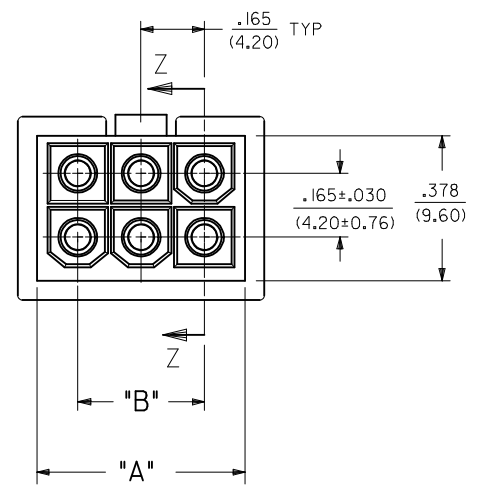
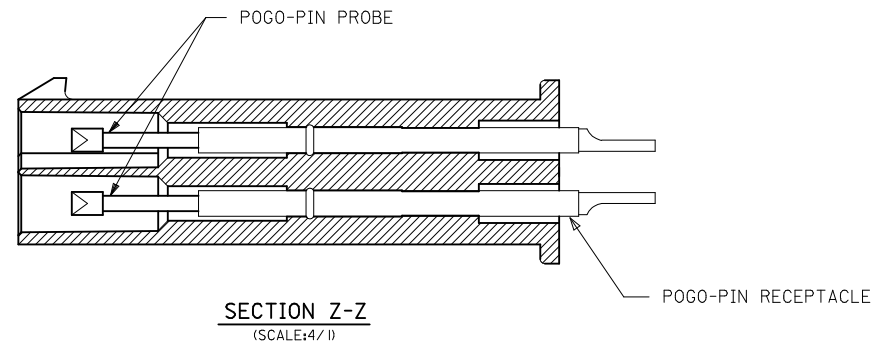
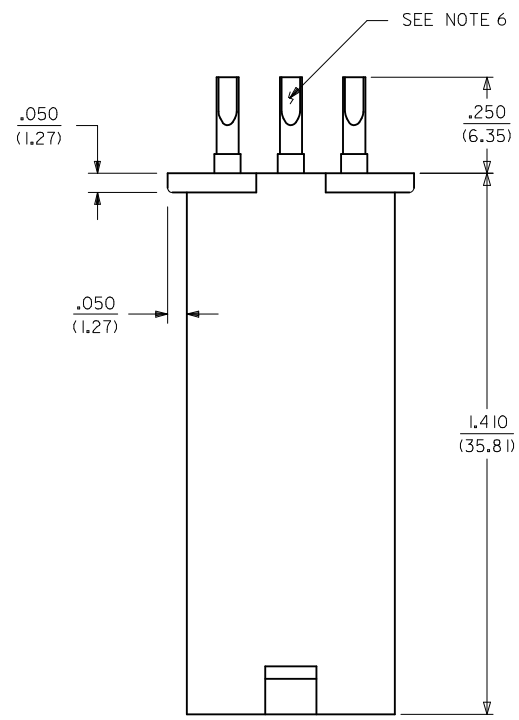
This document was generated on 04/21/2010

**PLEASE CHECK [WWW.MOLEX.COM](http://WWW.MOLEX.COM) FOR LATEST PART INFORMATION**



- NOTES:**
- MATERIAL:**  
HOUSING: 4/6 NYLON, 30% GLASS FILLED,COLOR BLACK.  
POGO-PIN PROBE:HEAT TREATED BERYLLIUM COPPER.  
POGO-PIN RECEPTACLE:WORK-HARDENED NICKEL SILVER.
  - FINISH:**  
POGO-PIN PROBE:GOLD PLATED OVER HARD NICKEL.  
POGO-PIN RECEPTACLE:GOLD PLATED OVER HARD NICKEL.
  - PRODUCT SPECIFICATION:** PS-44281-001.
  - THIS PART MATES WITH RECEPTACLE 5557.**
  - PRODUCT IS INTENDED FOR LOW LEVEL CONTINUITY TESTING ONLY.**
  - SOLDER CUP WILL ACCEPT 22-26 GAUGE WIRE.**

MATERIAL NUMBER	CIRCUIT NUMBER	DIM. "A"	DIM. "B"
44281-0001	4	.378/(9.60)	.165/(4.20)
44281-0002	6	.543/(13.80)	.331/(8.40)
44281-0003	8	.709/(18.00)	.496/(12.60)
44281-0004	10	.874/(22.20)	.661/(16.80)
44281-0005	12	1.039/(26.40)	.827/(21.00)
44281-0006	14	1.205/(30.60)	.992/(25.20)
44281-0007	16	1.370/(34.80)	1.157/(29.40)
44281-0008	18	1.535/(39.00)	1.323/(33.60)
44281-0009	20	1.701/(43.20)	1.488/(37.80)
44281-0010	22	1.866/(47.40)	1.654/(42.00)
44281-0011	24	2.031/(51.60)	1.819/(46.20)
44281-0012	36	3.023/(76.80)	2.811/(71.40)
44281-0013	40	3.353/(85.20)	3.142/(79.80)



<b>CORRECT CHART</b> EC NO: UCP2010-0584 DRWN: JAGUILAR 2009/09/14 CHKD: J BELL 2009/09/14 APPR: F SMITH 2009/09/15	QUALITY SYMBOLS ▽=0 ▽=0	GENERAL TOLERANCES (UNLESS SPECIFIED)		DIMENSION STYLE IN/MM	SCALE 4:1	DESIGN UNITS METRIC	THIRD ANGLE PROJECTION
		4 PLACES ± --- ± --- 3 PLACES ± --- ± .010 2 PLACES ± 0.25 ± .014 1 PLACE ± 0.35 ± ---	mm INCH DRAWN BY DATE A.GUZIK 98/11/02 CHECKED BY DATE EDGLEY 98/11/03 APPROVED BY DATE EDGLEY 98/11/03	TITLE MINI-FIT 4-24 36 AND 40 CIRCUIT TEST PLUG ASSEMBLY			
B1	DESCRIPTION TEST PLUG ASSEMBLY	ANGULAR ±1/2°		MATERIAL NO. SEE CHART	DOCUMENT NO. SD-44281-001	MOLEX INCORPORATED	
DRAFT WHERE APPLICABLE MUST REMAIN WITHIN DIMENSIONS		SIZE THIS DRAWING CONTAINS INFORMATION THAT IS PROPRIETARY TO MOLEX INCORPORATED AND SHOULD NOT BE USED WITHOUT WRITTEN PERMISSION		SHEET NO. 1 OF 1		MOLEX INCORPORATED	