

RL78/G1A

R01DS0151EJ0001

RENESAS MCU

Rev.0.01

2011.12.26

Combines Multi-channel 12-Bit A/D Converter, True Low Power Platform (as low as 66 μ A/MHz, and 0.57 μ A for RTC + LVD), 1.6 V to 3.6 V operation, 16 to 64 Kbyte Flash, 41 DMIPS at 32 MHz

1. OUTLINE

1.1 Features

Ultra-Low Power Technology

- 1.6 V to 3.6 V operation from a single supply
- Stop (RAM retained): 0.23 μ A, (LVD enabled): 0.31 μ A
- Halt (RTC + LVD): 0.57 μ A
- Snooze: T.B.D.
- Operating: 66 μ A/MHz

16-bit RL78 CPU Core

- Delivers 41 DMIPS at maximum operating frequency of 32 MHz
- Instruction Execution: 86% of instructions can be executed in 1 to 2 clock cycles
- CISC Architecture (Harvard) with 3-stage pipeline
- Multiply Signed & Unsigned: 16 x 16 to 32-bit result in 1 clock cycle
- MAC: 16 x 16 to 32-bit result in 2 clock cycles
- 16-bit barrel shifter for shift & rotate in 1 clock cycle
- 1-wire on-chip debug function

Code Flash Memory

- Density: 16 KB to 64 KB
- Block size: 1 KB
- On-chip single voltage flash memory with protection from block erase/writing
- Self-programming with secure boot swap function and flash shield window function

Data Flash Memory

- Data Flash with background operation
- Data flash size: 4 KB
- Erase Cycles: 1 Million (typ.)
- Erase/programming voltage: 1.8 V to 3.6 V

RAM

- 2 KB to 4 KB size options
- Supports operands or instructions
- Back-up retention in all modes

High-speed On-chip Oscillator

- 32 MHz with +/- 1% accuracy over voltage (1.8 V to 3.6 V) and temperature (-20 °C to +85 °C)
- Pre-configured settings: 32 MHz, 24 MHz, 16 MHz, 12 MHz, 8 MHz, 4 MHz & 1 MHz

Reset and Supply Management

- Power-on reset (POR) monitor/generator
- Low voltage detection (LVD) with 12 setting options (Interrupt and/or reset function)

Data Memory Access (DMA) Controller

- Up to 2 fully programmable channels
- Transfer unit: 8- or 16-bit

Multiple Communication Interfaces

- Up to 6 x I²C master
- Up to 1 x I²C multi-master
- Up to 6 x CSI/SPI (7-, 8-bit)
- Up to 3 x UART (7-, 8-, 9-bit)
- Up to 1 x LIN

Extended-Function Timers

- Multi-function 16-bit timers: Up to 8 channels
- Real-time clock (RTC): 1 channel (full calendar and alarm function with watch correction function)
- Interval Timer: 12-bit, 1 channel
- 15 kHz watchdog timer: 1 channel (window function)

Rich Analog

- ADC: Up to 28 channels, 12-bit resolution, 3.375 μ s conversion time
- Supports 1.6 V
- Internal voltage reference (1.45 V)
- On-chip temperature sensor

Safety Features (IEC or UL 60730 compliance)

- Flash memory CRC calculation
- RAM parity error check
- RAM write protection
- SFR write protection
- Illegal memory access detection
- Clock stop/ frequency detection
- ADC self-test

General Purpose I/O

- 3.6 V tolerant, high-current (up to 20 mA per pin)
- Open-Drain, Internal Pull-up support

Operating Ambient Temperature

- Standard: -40 °C to +85 °C

Package Type and Pin Count

From 3 mm x 3 mm to 10 mm x 10 mm
 QFP: 48, 64
 QFN: 32, 48
 LGA: 25
 BGA: 64

○ ROM, RAM capacities

Flash ROM	Data flash	RAM	RL78/G1A			
			25 pins	32 pins	48 pins	64 pins
64 KB	4 KB	4 KB <i>Note</i>	R5F10E8E	R5F10EBE	R5F10EGE	R5F10ELE
48 KB	4 KB	3 KB	R5F10E8D	R5F10EBD	R5F10EGD	R5F10ELD
32 KB	4 KB	2 KB	R5F10E8C	R5F10EBC	R5F10EGC	R5F10ELC
16 KB	4 KB	2 KB	R5F10E8A	R5F10EBA	R5F10EGA	–

Note This is about 3 KB when the self-programming function and data flash function are used.

1.2 Ordering Information

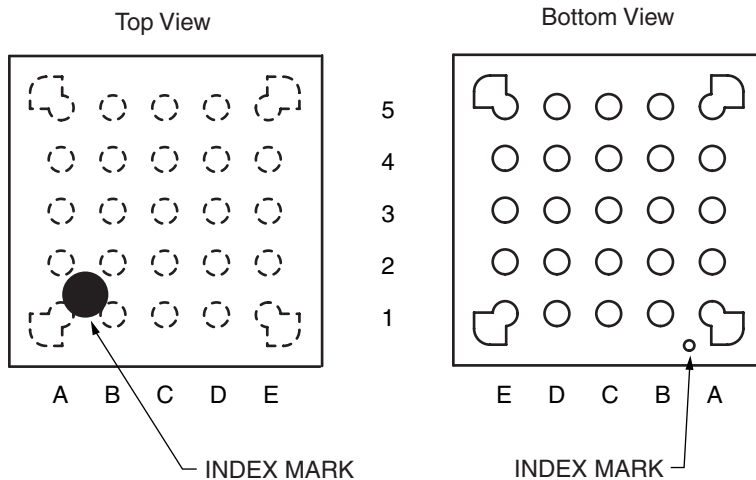
- Flash memory version (lead-free product)

Pin count	Package	Data flash	Part Number
25 pins	25-pin plastic FLGA (3 × 3)	Mounted	R5F10E8AALA, R5F10E8CALA, R5F10E8DALA, R5F10E8EALA
32 pins	32-pin plastic WQFN (fine pitch) (5 × 5)	Mounted	R5F10EBAANA, R5F10EBCANA, R5F10EBDANA, R5F10EBEANA
48 pins	48-pin plastic LQFP (fine pitch) (7 × 7)	Mounted	R5F10EGAAF, R5F10EGCAF, R5F10EGDAF, R5F10EGEAF
	48-pin plastic WQFN (7 × 7)	Mounted	R5F10EGAANA, R5F10EGCANA, R5F10EGDANA, R5F10EGEANA
64 pins	64-pin plastic LQFP (fine pitch) (10 × 10)	Mounted	R5F10ELCAF, R5F10ELDAF, R5F10ELEAF
	64-pin plastic FBGA (4 × 4)	Mounted	R5F10ELCABG, R5F10ELDABG, R5F10ELEABG

1.3 Pin Configuration (Top View)

1.3.1 25-pin products

- 25-pin plastic FLGA (3 × 3)



	A	B	C	D	E	
5	P40/TOOL0	RESET	P03/ANI16/ RxD1/TO00/ (KR1)	P23/ANI3/ (KR3)	AV _{SS}	5
4	P122/X2/ EXCLK	P137/INTP0	P02/ANI17/ TxD1/TI00/ (KR0)	P22/ANI2/ (KR2)	AV _{DD}	4
3	P121/X1	V _{DD}	P21/ANI1/ AV _{REFM}	P11/ANI20/ SI00/SDA00/ RxD0/ TOOLRxD	P10/ANI18/ SCK00/SCL00	3
2	REGC	V _{SS}	P30/ANI27/ SCK11/SCL11/ INTP3	P51/ANI25/ SO11/INTP2	P50/ANI26/ SI11/SDA11 INTP1	2
1	P60/SCLA0	P61/SDAA0	P31/ANI29/TI03/ TO03/PCLBUZ0 /INTP4	P12/ANI21/ SO00/TxD0/ TOOLTxD	P20/ANI0/ AV _{REFP}	1
	A	B	C	D	E	

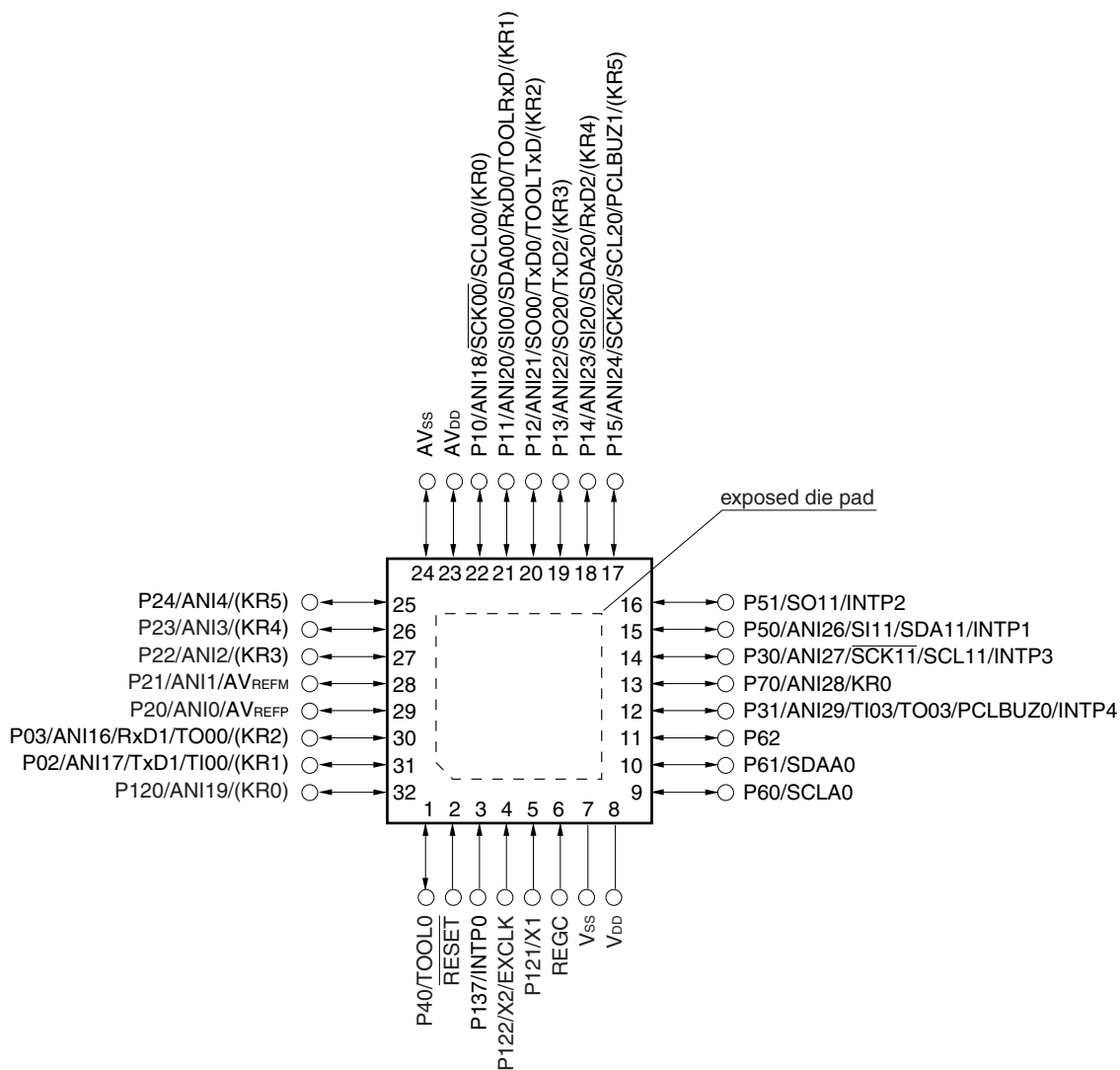
Caution Connect the REGC pin to V_{SS} via a capacitor (0.47 to 1 μF).

Remarks 1. For pin identification, see 1.4 Pin Identification.

2. Functions in parentheses in the above figure can be assigned via settings in the peripheral I/O redirection register (PIOR).

1.3.2 32-pin products

- 32-pin plastic WQFN (fine pitch) (5 × 5)



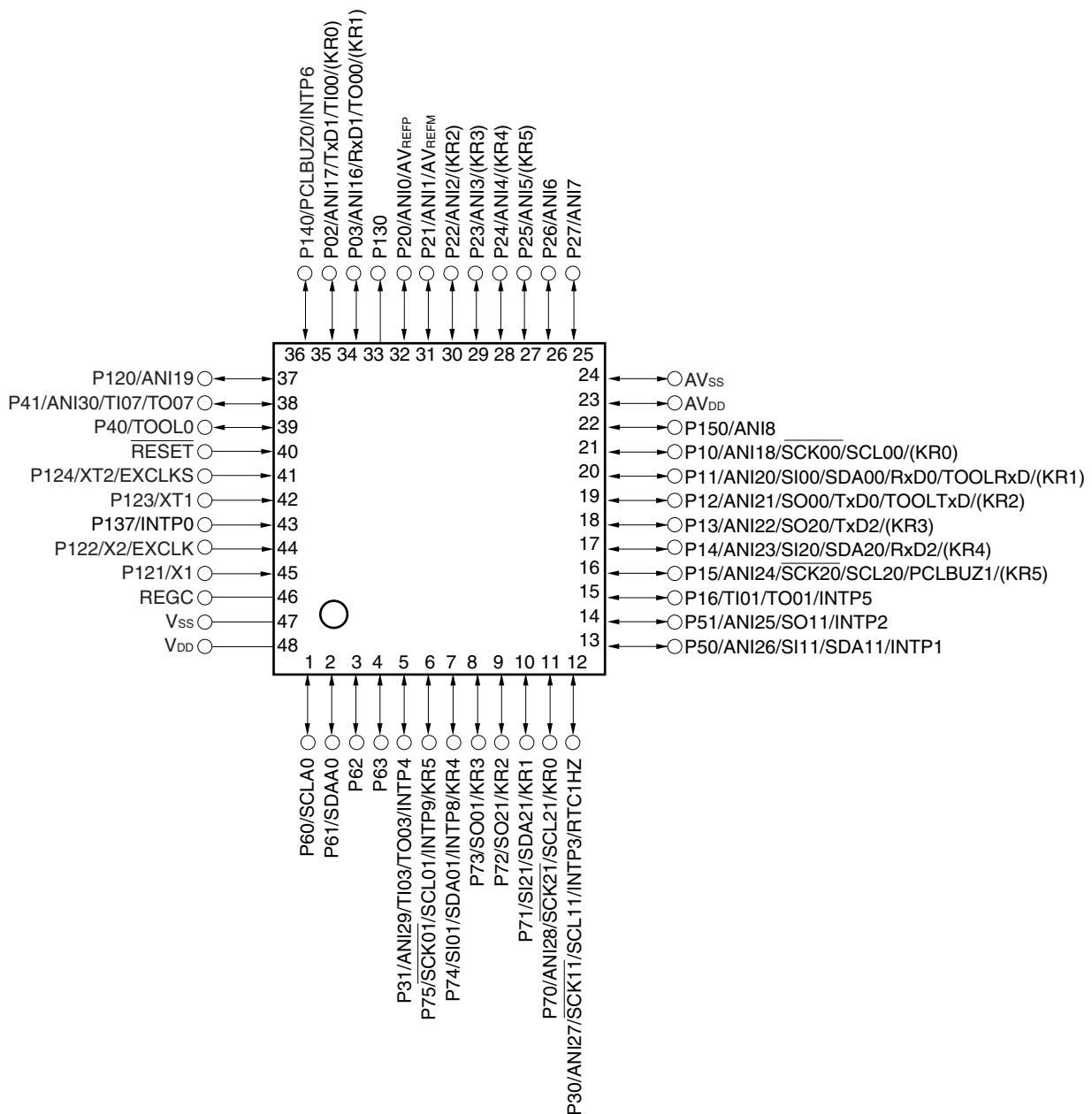
Caution Connect the REGC pin to V_{ss} via a capacitor (0.47 to 1 μF).

Remarks 1. For pin identification, see 1.4 Pin Identification.

- Functions in parentheses in the above figure can be assigned via settings in the peripheral I/O redirection register (PIOR).

1.3.3 48-pin products

- 48-pin plastic LQFP (fine pitch) (7 × 7)

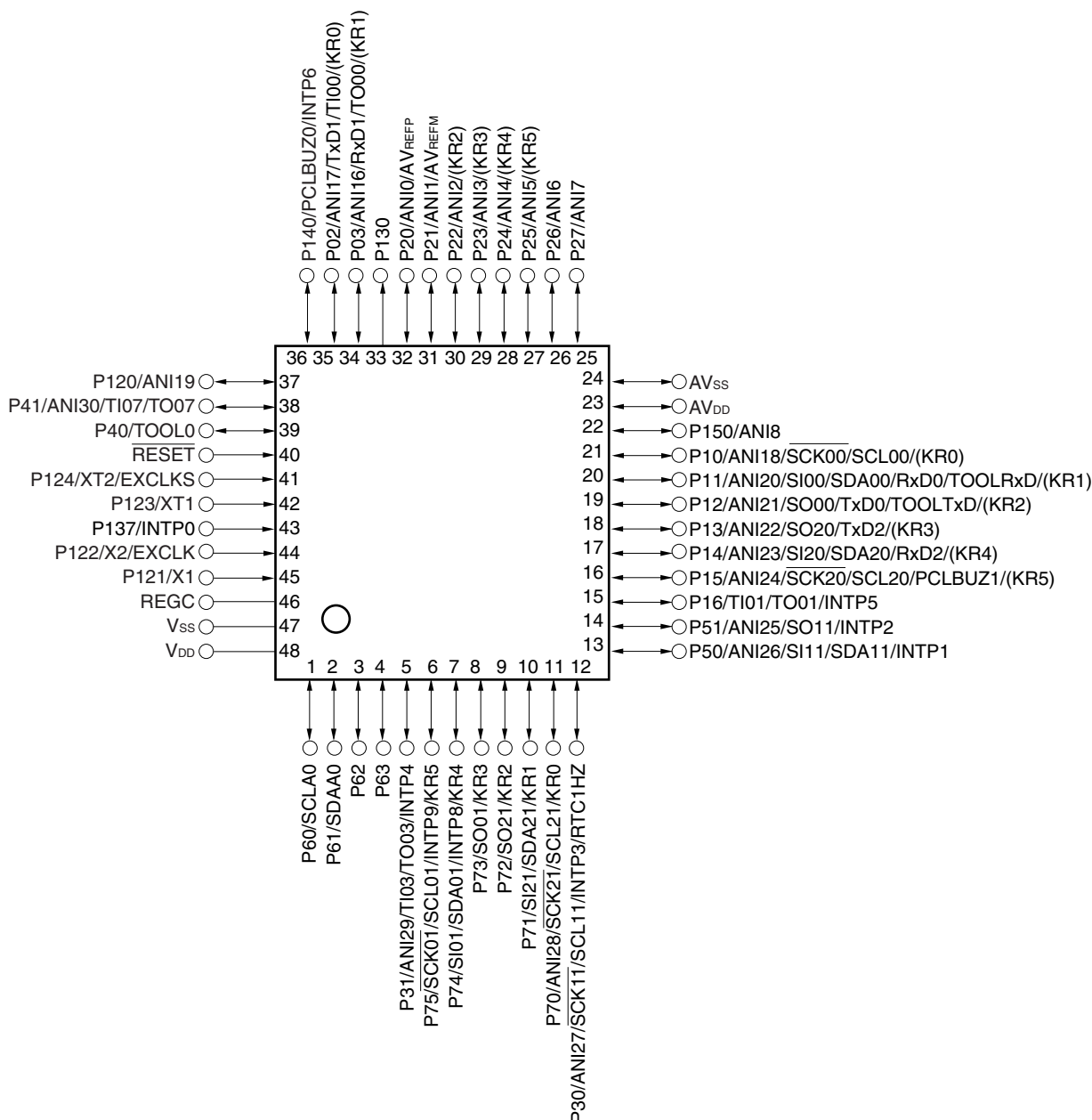


Caution Connect the REGC pin to Vss via a capacitor (0.47 to 1 μ F).

Remarks 1. For pin identification, see 1.4 Pin Identification.

- Functions in parentheses in the above figure can be assigned via settings in the peripheral I/O redirection register (PIOR).

- 48-pin plastic WQFN (7 × 7)



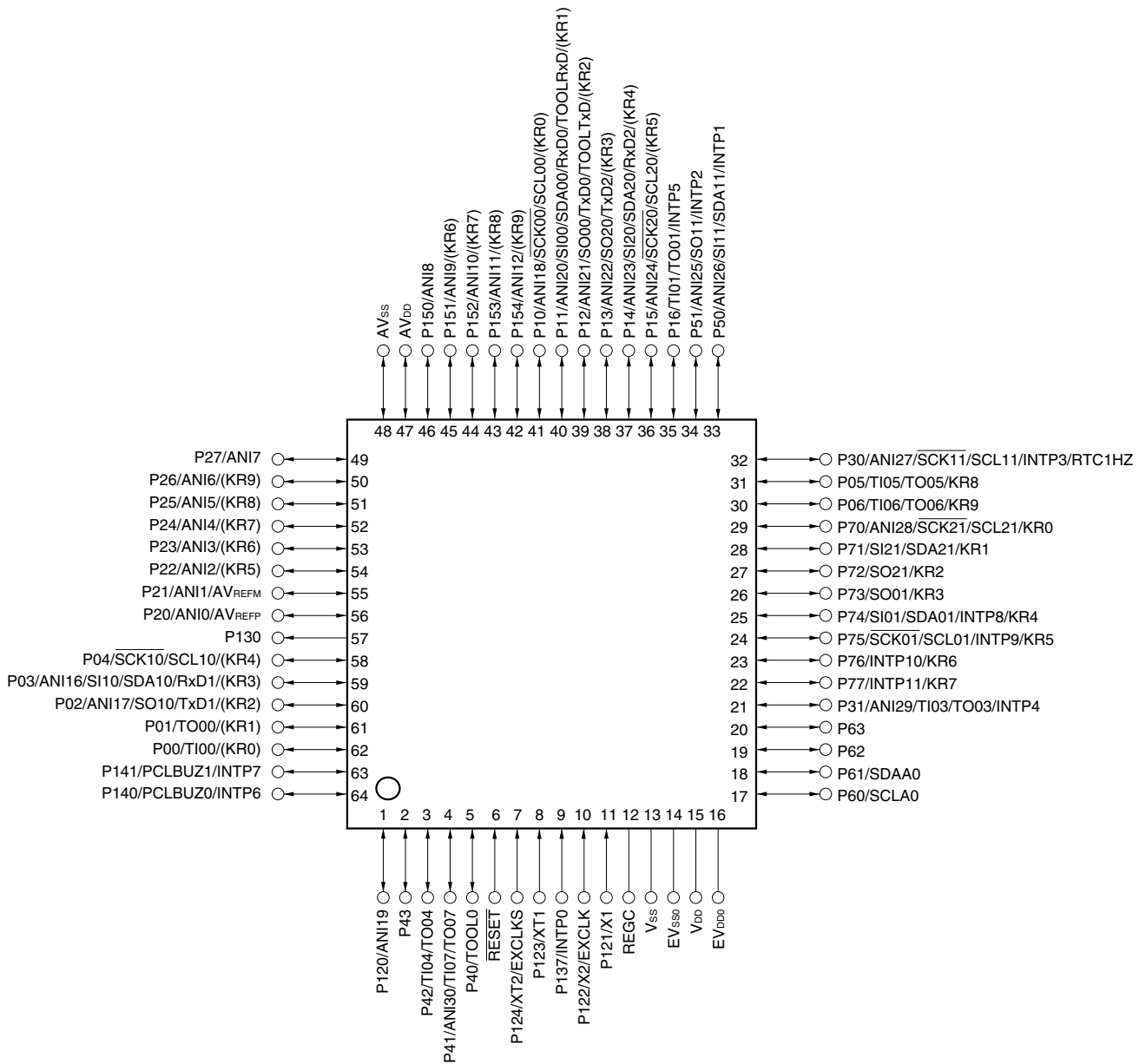
Caution Connect the REGC pin to Vss via a capacitor (0.47 to 1 μ F).

Remarks 1. For pin identification, see 1.4 Pin Identification.

- Functions in parentheses in the above figure can be assigned via settings in the peripheral I/O redirection register (PIOR).

1.3.4 64-pin products

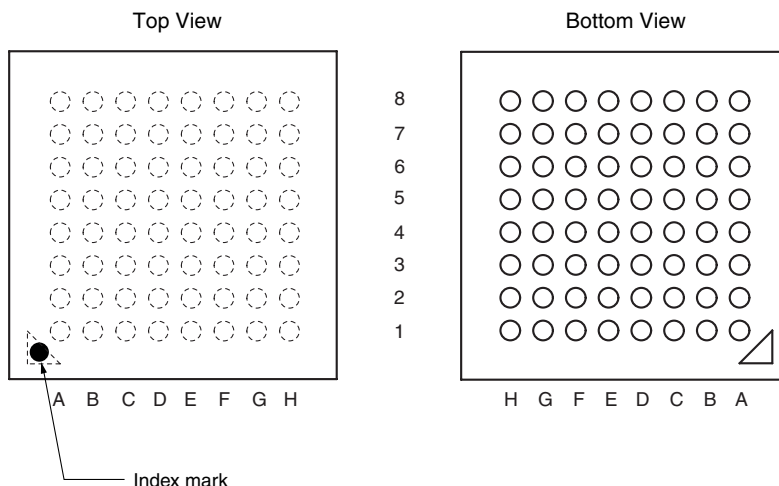
- 64-pin plastic LQFP (fine pitch) (10 × 10)



- Cautions 1.** Make EV_{SS0} pin the same potential as V_{SS} pin.
 2. Make V_{DD} pin the potential that is higher than EV_{DD0} pin.
 3. Connect the REGC pin to V_{SS} via a capacitor (0.47 to 1 μF).

- Remarks 1.** For pin identification, see 1.4 Pin Identification.
 2. When using the microcontroller for an application where the noise generated inside the microcontroller must be reduced, it is recommended to supply separate powers to the V_{DD} and EV_{DD0} pins and connect the V_{SS} and EV_{SS0} pins to separate ground lines.
 3. Functions in parentheses in the above figure can be assigned via settings in the peripheral I/O redirection register (PIOR).

- 64-pin plastic FBGA (4 × 4)



Pin No.	Name	Pin No.	Name	Pin No.	Name	Pin No.	Name
A1	P05/TI05/TO05/KR8	C1	P51/ANI25/SO11 /INTP2	E1	P153/ANI11/(KR8)	G1	AV _{DD}
A2	P30/ANI27/SCK11 /SCL11/INTP3 /RTC1HZ	C2	P71/SI21/SDA21/KR1	E2	P154/ANI12/(KR9)	G2	P25/ANI5/(KR8)
A3	P70/ANI28/SCK21 /SCL21/KR0	C3	P74/SI01/SDA01 /INTP8/KR4	E3	P10/ANI18/SCK00 /SCL00/(KR0)	G3	P24/ANI4/(KR7)
A4	P75/SCK01/SCL01 /INTP9/KR5	C4	P16/TI01/TO01/INTP5	E4	P11/ANI20/SI00 /SDA00/RxD0 /TOOLRxD/(KR1)	G4	P22/ANI2/(KR5)
A5	P77/INTP11/KR7	C5	P15/ANI24/SCK20 /SCL20/(KR5)	E5	P03/ANI16/SI10 /SDA10/RxD1/(KR3)	G5	P130
A6	P61/SDAA0	C6	P63	E6	P41/ANI30/TI07/TO07	G6	P02/ANI17/SO10/TxD1 //(KR2)
A7	P60/SCLA0	C7	V _{SS}	E7	RESET	G7	P00/TI00/(KR0)
A8	EV _{DD0}	C8	P121/X1	E8	P137/INTP0	G8	P124/XT2/EXCLKS
B1	P50/ANI26 /SI11 /SDA11/INTP1	D1	P13/ANI22/SO20 /TxD2/(KR3)	F1	P150/ANI8	H1	AV _{SS}
B2	P72/SO21/KR2	D2	P06/TI06/TO06/KR9	F2	P151/ANI9/(KR6)	H2	P27/ANI7
B3	P73/SO01/KR3	D3	P12/ANI21/SO00 /TxD0/TOOLTxD/(KR2)	F3	P152/ANI10/(KR7)	H3	P26/ANI6/(KR9)
B4	P76/INTP10/KR6	D4	P14/ANI23/SI20/ SDA20/RxD2/(KR4)	F4	P21/ANI1/AV _{REFM}	H4	P23/ANI3/(KR6)
B5	P31/ANI29/TI03/TO03 /INTP4	D5	P42/TI04/TO04	F5	P04/SCK10/SCL10 //(KR4)	H5	P20/ANI0/AV _{REFP}
B6	P62	D6	P40/TOOL0	F6	P43	H6	P141/PCLBUZ1/INTP7
B7	V _{DD}	D7	REGC	F7	P01/TO00/(KR1)	H7	P140/PCLBUZ0/INTP6
B8	EV _{SS0}	D8	P122/X2/EXCLK	F8	P123/XT1	H8	P120/ANI19

- Cautions**
1. Make EV_{SS0} pin the same potential as V_{SS} pin.
 2. Make V_{DD} pin the potential that is higher than EV_{DD0} pin.
 3. Connect the REGC pin to V_{SS} via a capacitor (0.47 to 1 μF).

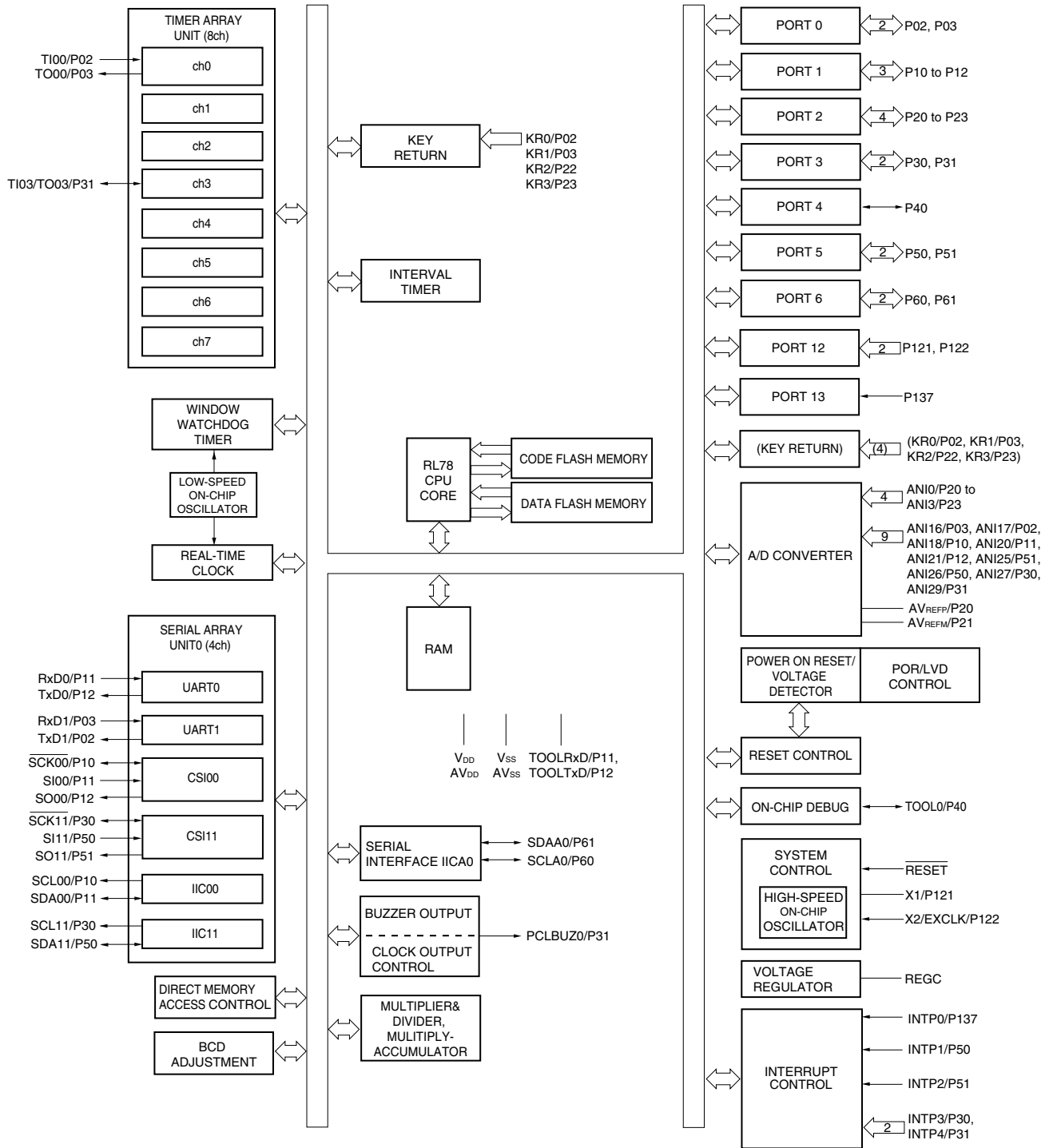
- Remarks**
1. For pin identification, see 1.4 Pin Identification.
 2. When using the microcontroller for an application where the noise generated inside the microcontroller must be reduced, it is recommended to supply separate powers to the V_{DD} and EV_{DD0} pins and connect the V_{SS} and EV_{SS0} pins to separate ground lines.
 3. Functions in parentheses in the above figure can be assigned via settings in the peripheral I/O redirection register (PIOR).

1.4 Pin Identification

ANI0 to ANI12,		PCLBUZ0, PCLBUZ1:	Programmable clock output/buzzer output
ANI16 to ANI30:	Analog input		
AV _{DD} :	Analog power supply	REGC:	Regulator capacitance
AV _{SS} :	Analog ground	RESET:	Reset
AV _{REFM} :	A/D converter reference potential (– side) input	RTC1HZ:	Real-time clock correction clock (1 Hz) output
AV _{REFP} :	A/D converter reference potential (+ side) input	RxD0 to RxD2:	Receive data
EV _{DD0} :	Power supply for port	SCK00, SCK01, SCK10, SCK11, SCK20, SCK21:	Serial clock input/output
EV _{SS0} :	Ground for port	SCLA0, SCL00, SCL01, SCL10, SCL11, SCL20, SCL21:	Serial clock input/output
EXCLK:	External clock input (main system clock)	SDAA0, SDA00, SDA01, SDA10, SDA11, SDA20, SDA21:	Serial data input/output
EXCLKS:	External clock input (sub system clock)	SI00, SI01, SI10, SI11, SI20, SI21:	Serial data input
INTP0 to INTP11:	External interrupt input	SO00, SO01, SO10, SO11, SO20, SO21:	Serial data output
KR0 to KR9:	Key return	TI00, TI01, TI03 to TI07:	Timer input
P00 to P06:	Port 0	TO00, TO01, TO03 to TO07:	Timer output
P10 to P16:	Port 1	TOOL0:	Data input/output for tool
P20 to P27:	Port 2	TOOLRxD, TOOLTxD:	Data input/output for external device
P30, P31:	Port 3	TxD0 to TxD2:	Transmit data
P40 to P43:	Port 4	V _{DD} :	Power supply
P50, P51:	Port 5	V _{SS} :	Ground
P60 to P63:	Port 6	X1, X2:	Crystal oscillator (main system clock)
P70 to P77:	Port 7	XT1, XT2:	Crystal oscillator (subsystem clock)
P120 to P124:	Port 12		
P130, P137:	Port 13		
P140, P141:	Port 14		
P150 to P154:	Port 15		

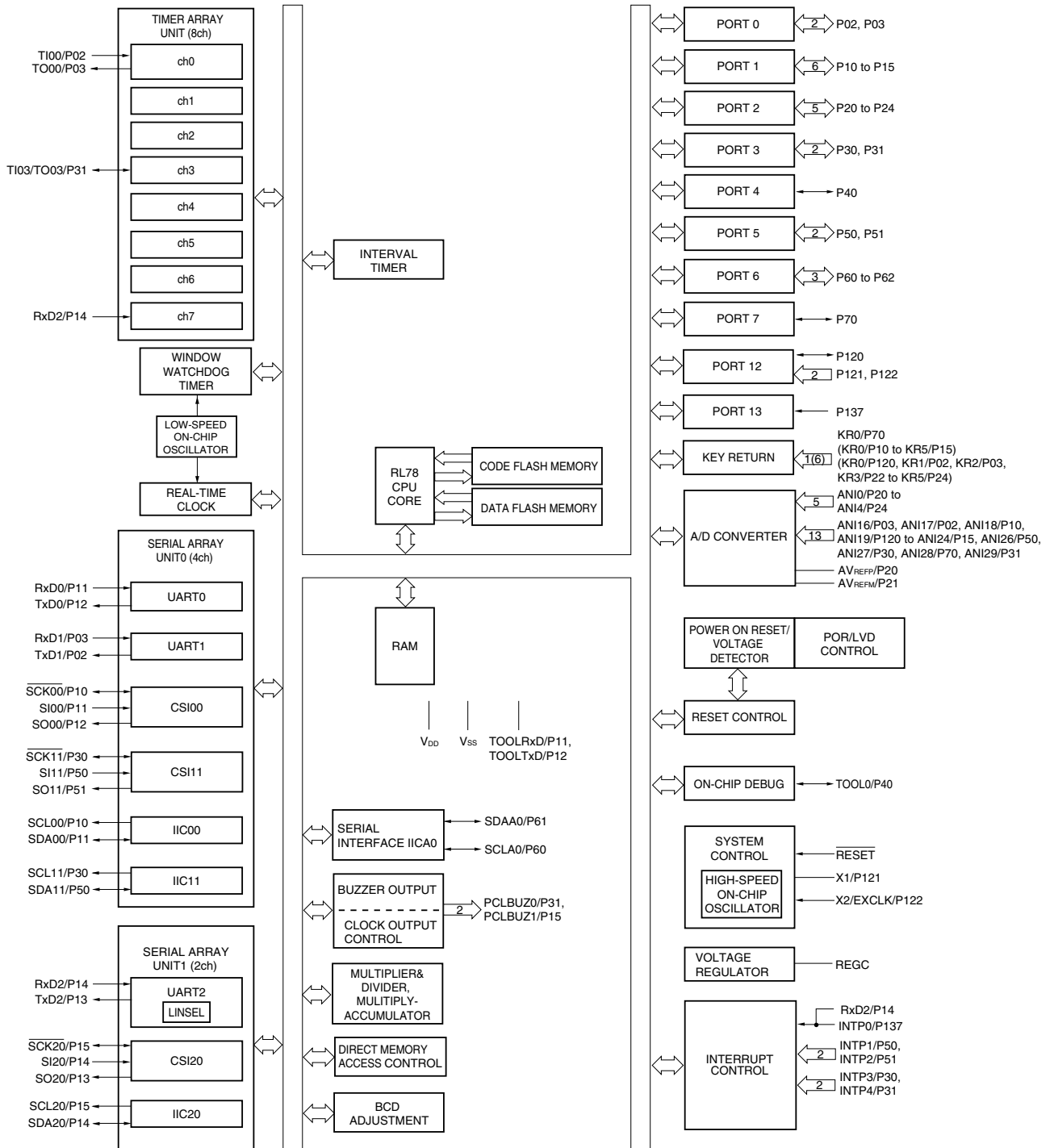
1.5 Block Diagram

1.5.1 25-pin products



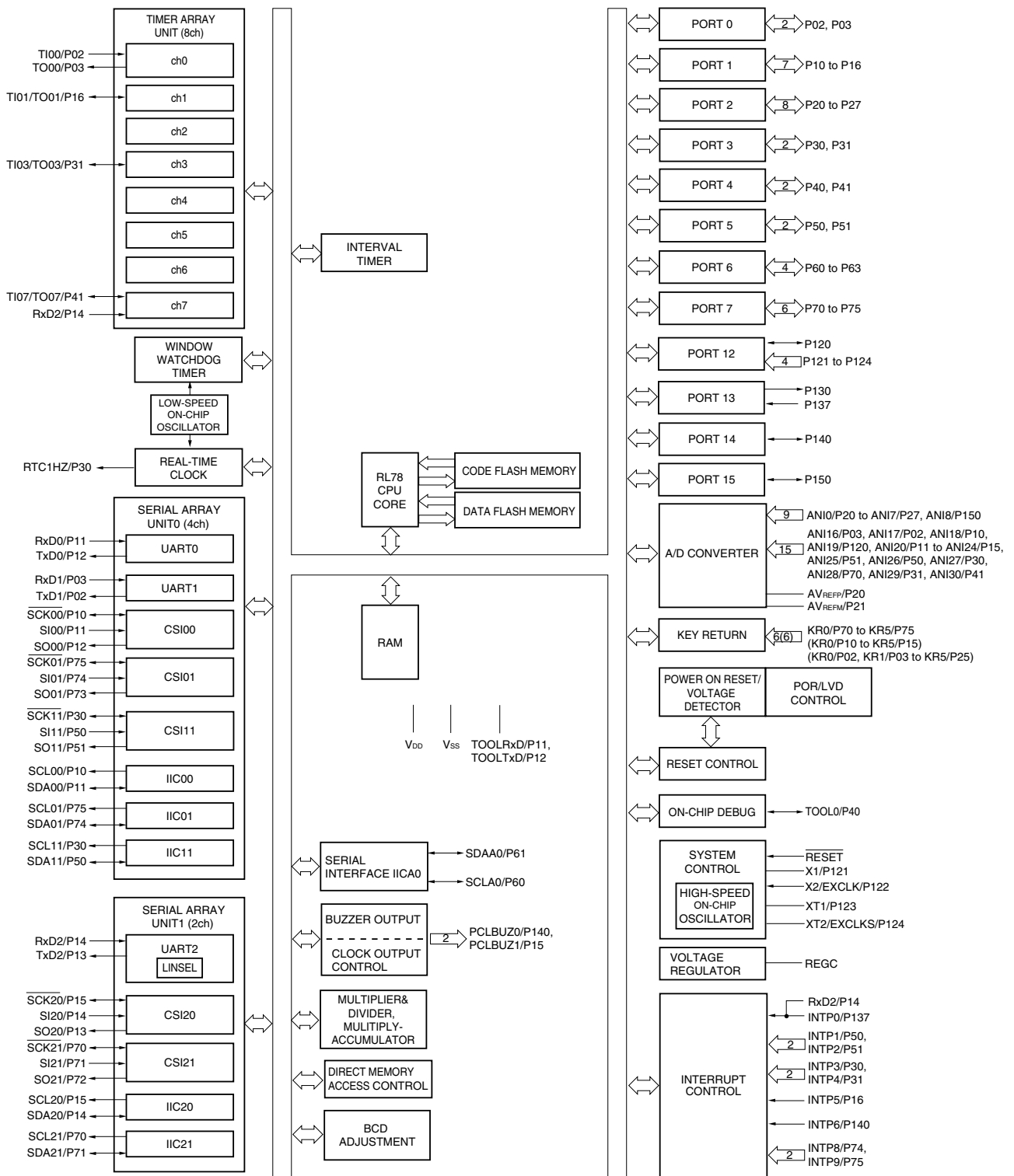
Remark Functions in parentheses in the above figure can be assigned via settings in the peripheral I/O redirection register (PIOR).

1.5.2 32-pin products



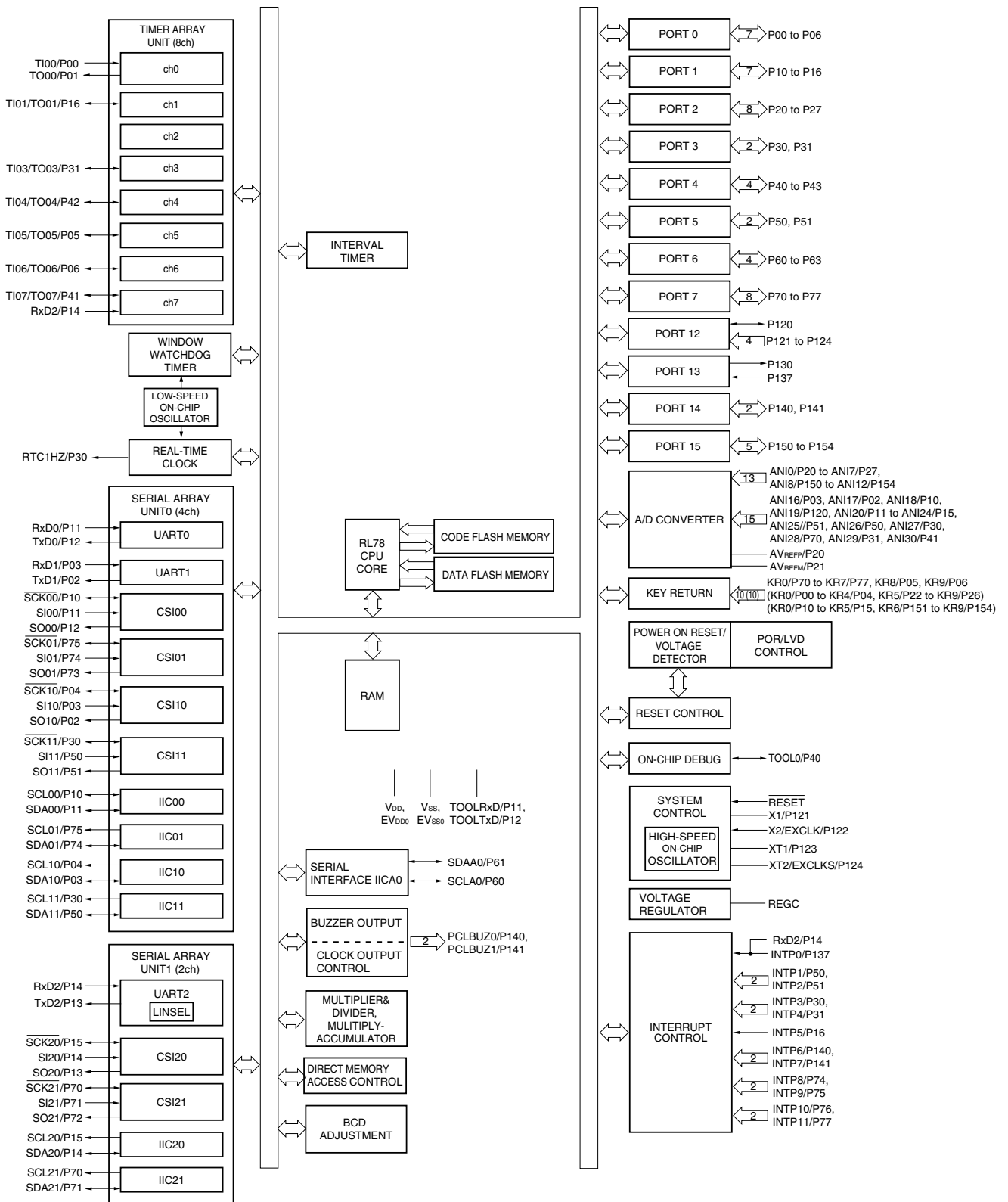
Remark Functions in parentheses in the above figure can be assigned via settings in the peripheral I/O redirection register (PIOR).

1.5.3 48-pin products



Remark Functions in parentheses in the above figure can be assigned via settings in the peripheral I/O redirection register (PIOR).

1.5.4 64-pin products



Remark Functions in parentheses in the above figure can be assigned via settings in the peripheral I/O redirection register (PIOR).

1.6 Outline of Functions

(1/2)

Item		25-pin	32-pin	48-pin	64-pin
		R5F10E8x	R5F10EBx	R5F10EGx	R5F10ELx
Code flash memory (KB)		16 to 64	16 to 64	16 to 64	32 to 64
Data flash memory (KB)		4	4	4	4
RAM (KB)		2 to 4 ^{Note1}	2 to 4 ^{Note1}	2 to 4 ^{Note1}	2 to 4 ^{Note1}
Memory space		1 MB			
Main system clock	High-speed system clock	X1 (crystal/ceramic) oscillation, external main system clock input (EXCLK) 1 to 20 MHz: $V_{DD} = 2.7$ to 3.6 V, 1 to 8 MHz: $V_{DD} = 1.8$ to 2.7 V, 1 to 4 MHz: $V_{DD} = 1.6$ to 1.8 V			
	High-speed on-chip oscillator	High-speed operation: 1 to 32 MHz ($V_{DD} = 2.7$ to 3.6 V), High-speed operation: 1 to 16 MHz ($V_{DD} = 2.4$ to 3.6 V), Low-speed operation: 1 to 8 MHz ($V_{DD} = 1.8$ to 3.6 V), Low-voltage operation: 1 to 4 MHz ($V_{DD} = 1.6$ to 3.6 V)			
Subsystem clock		-		XT1 (crystal) oscillation, external subsystem clock input (EXCLKS) 32.768 kHz (TYP.): $V_{DD} = 1.6$ to 3.6 V	
Low-speed on-chip oscillator		15 kHz (TYP.): $V_{DD} = 1.6$ to 3.6 V			
General-purpose register		8 bits \times 32 registers (8 bits \times 8 registers \times 4 banks)			
Minimum instruction execution time		0.03125 μ s (High-speed on-chip oscillator: $f_{IH} = 32$ MHz operation)			
		0.05 μ s (High-speed system clock: $f_{MX} = 20$ MHz operation)			
		-		30.5 μ s (Subsystem clock: $f_{SUB} = 32.768$ kHz operation)	
Instruction set		<ul style="list-style-type: none"> • Data transfer (8/16 bits) • Adder and subtractor/logical operation (8/16 bits) • Multiplication (8 bits \times 8 bits) • Rotate, barrel shift, and bit manipulation (Set, reset, test, and Boolean operation), etc. 			
I/O port	Total	19	26	42	56
	CMOS I/O	14	20	32	46
	CMOS input	3	3	5	5
	CMOS output	-	-	1	1
	N-ch open-drain I/O (6 V tolerance)	2	3	4	4
Timer	16-bit timer	8 channels			
	Watchdog timer	1 channel			
	Real-time clock (RTC)	-		1 channel	
	Interval timer (IT)	1 channel			
	Timer output	2 channels (PWM outputs: 1 ^{Note2})		4 channels (PWM outputs: 3 ^{Note2})	7 channels (PWM outputs: 6 ^{Note2})
	RTC output	-		1 • 1 Hz (subsystem clock: $f_{SUB} = 32.768$ kHz or)	

Notes 1. In the case of the 4 KB, this is about 3 KB when the self-programming function and data flash function are used.

2. The number of outputs varies, depending on the setting.

(2/2)

Item	25-pin	32-pin	48-pin	64-pin
	R5F10E8x	R5F10EBx	R5F10EGx	R5F10ELx
Clock output/buzzer output	1	2	2	2
	<ul style="list-style-type: none"> 2.44 kHz, 4.88 kHz, 9.76 kHz, 1.25 MHz, 2.5 MHz, 5 MHz, 10 MHz (Main system clock: $f_{MAIN} = 20$ MHz operation) 		<ul style="list-style-type: none"> 2.44 kHz, 4.88 kHz, 9.76 kHz, 1.25 MHz, 2.5 MHz, 5 MHz, 10 MHz (Main system clock: $f_{MAIN} = 20$ MHz operation) 256 Hz, 512 Hz, 1.024 kHz, 2.048 kHz, 4.096 kHz, 8.192 kHz, 16.384 kHz, 32.768 kHz (Subsystem clock: $f_{SUB} = 32.768$ kHz operation) 	
8/12-bit resolution A/D converter	13 channels	18 channels	24 channels	28 channels
Serial interface	[25-pin products] <ul style="list-style-type: none"> CSI: 1 channel/UART: 1 channel/simplified I²C: 1 channel CSI: 1 channel/UART: 1 channel/simplified I²C: 1 channel [32-pin products] <ul style="list-style-type: none"> CSI: 1 channel/UART: 1 channel/simplified I²C: 1 channel CSI: 1 channel/UART: 1 channel/simplified I²C: 1 channel CSI: 1 channel/UART (UART supporting LIN-bus): 1 channel/simplified I²C: 1 channel [48-pin products] <ul style="list-style-type: none"> CSI: 2 channels/UART: 1 channel/simplified I²C: 2 channels CSI: 1 channel/UART: 1 channel/simplified I²C: 1 channel CSI: 2 channels/UART (UART supporting LIN-bus): 1 channel/simplified I²C: 2 channels [64-pin products] <ul style="list-style-type: none"> CSI: 2 channels/UART: 1 channel/simplified I²C: 2 channels CSI: 2 channels/UART: 1 channel/simplified I²C: 2 channels CSI: 2 channels/UART (UART supporting LIN-bus): 1 channel/simplified I²C: 2 channels 			
I ² C bus	1 channel	1 channel	1 channel	1 channel
Multiplier and divider/multiply-accumulator	<ul style="list-style-type: none"> 16 bits × 16 bits = 32 bits (Unsigned or signed) 32 bits ÷ 32 bits = 32 bits (Unsigned) 16 bits × 16 bits + 32 bits = 32 bits (Unsigned or signed) 			
DMA controller	2 channels			
Vectored interrupt sources	Internal	24	27	27
	External	6	6	10
Key interrupt	0 ch (4 ch) ^{Note 1}	1 ch (6 ch) ^{Note 1}	6 ch	10 ch
Reset	<ul style="list-style-type: none"> Reset by \overline{RESET} pin Internal reset by watchdog timer Internal reset by power-on-reset Internal reset by voltage detector Internal reset by illegal instruction execution^{Note 2} Internal reset by RAM parity error Internal reset by illegal-memory access 			
Power-on-reset circuit	<ul style="list-style-type: none"> Power-on-reset: 1.51 ±0.03 V Power-down-reset: 1.50 ±0.03 V 			
Voltage detector	1.63 V to 3.06 V (12 stages)			
On-chip debug function	Provided			
Power supply voltage	V _{DD} = 1.6 to 3.6 V			
Operating ambient temperature	T _A = -40 to +85 °C			

Notes 1. Can be used by the Peripheral I/O redirection register (PIOR).

2. The illegal instruction is generated when instruction code FFH is executed.

Reset by the illegal instruction execution not issued by emulation with the in-circuit emulator or on-chip debug emulator.

2. ELECTRICAL SPECIFICATIONS

- Cautions**
1. These specifications show target values, which may change after device evaluation.
 2. The RL78/G1A has an on-chip debug function, which is provided for development and evaluation. Do not use the on-chip debug function in products designated for mass production, because the guaranteed number of rewritable times of the flash memory may be exceeded when this function is used, and product reliability therefore cannot be guaranteed. Renesas Electronics is not liable for problems occurring when the on-chip debug function is used.
 3. The pins mounted depend on the product. Refer to 1.3.1 25-pin products to 1.3.4 64-pin products.

Caution The pins mounted depend on the product. Refer to 1.3.1 25-pin products to 1.3.4 64-pin products.

2.1 Absolute Maximum Ratings

Absolute Maximum Ratings (T_A = 25°C) (1/2)

Parameter	Symbols	Conditions	Ratings	Unit
Supply voltage	V _{DD}		-0.5 to +6.5	V
	EV _{DD0}	EV _{DD0} ≤ V _{DD}	-0.5 to +6.5	V
	AV _{DD}	AV _{DD0} ≤ V _{DD}	-0.5 to +4.6	V
	V _{SS}		-0.5 to +0.3	V
	EV _{SS0}		-0.5 to +0.3	V
	AV _{SS}		-0.5 to +0.3	V
REGC pin input voltage	V _{IREGC}	REGC	-0.3 to +2.8 and -0.3 to V _{DD} +0.3 ^{Note 1}	V
Input voltage	V _{I1}	P00 to P06, P10 to P16, P30, P31, P40 to P43, P50, P51, P70 to P77, P120, P140, P141	-0.3 to EV _{DD0} +0.3 and -0.3 to V _{DD} +0.3 ^{Note 2}	V
	V _{I2}	P60 to P63 (N-ch open-drain)	-0.3 to +6.5	V
	V _{I3}	P121 to P124, P137, EXCLK, EXCLKS, $\overline{\text{RESET}}$	-0.3 to V _{DD} +0.3 ^{Note 2}	V
	V _{I4}	P20 to P27, P150 to P154	-0.3 to AV _{DD} +0.3 ^{Note 3}	V
Output voltage	V _{O1}	P00 to P06, P10 to P16, P30, P31, P40 to P43, P50, P51, P60 to P63, P70 to P77, P120, P130, P140, P141	-0.3 to EV _{DD0} +0.3 ^{Note 2}	V
	V _{O2}	P20 to P27, P150 to P154	-0.3 to V _{DD} +0.3 ^{Note 2}	V
Analog input voltage	V _{AI1}	ANI16 to ANI30	-0.3 to EV _{DD0} +0.3 ^{Note 2}	V
	V _{AI2}	ANI0 to ANI12	-0.3 to AV _{DD} +0.3 ^{Note 2}	V

- Notes**
1. Connect the REGC pin to V_{SS} via a capacitor (0.47 to 1 μF). This value regulates the absolute maximum rating of the REGC pin. Do not use this pin with voltage applied to it.
 2. Must be 6.5 V or lower.
 3. Must be 4.6 V or lower.

Caution Product quality may suffer if the absolute maximum rating is exceeded even momentarily for any parameter. That is, the absolute maximum ratings are rated values at which the product is on the verge of suffering physical damage, and therefore the product must be used under conditions that ensure that the absolute maximum ratings are not exceeded.

Remark Unless specified otherwise, the characteristics of alternate-function pins are the same as those of the port pins.

Caution The pins mounted depend on the product. Refer to 1.3.1 25-pin products to 1.3.4 64-pin products.

Absolute Maximum Ratings (TA = 25°C) (2/2)

Parameter	Symbols	Conditions		Ratings	Unit
Output current, high	I _{OH1}	Per pin	P00 to P06, P10 to P16, P30, P31, P40 to P43, P50, P51, P70 to P77, P120, P130, P140, P141	-40	mA
		Total of all pins -170 mA	P00 to P04, P40 to P43, P120, P130, P140, P141	-70	mA
			P05, P06, P10 to P16, P30, P31, P50, P51, P70 to P77,	-100	mA
	I _{OH2}	Per pin	P20 to P27, P150 to P154	-0.1	mA
		Total of all pins		-1.3	mA
	Output current, low	I _{OL1}	Per pin	P00 to P06, P10 to P16, P30, P31, P40 to P43, P50, P51, P60 to P63, P70 to P77, P120, P130, P140, P141	40
Total of all pins 170 mA			P00 to P04, P40 to P43, P120, P130, P140, P141	70	mA
			P05, P06, P10 to P16, P30, P31, P50, P51, P60 to P63, P70 to P77	100	mA
I _{OL2}		Per pin	P20 to P27, P150 to P154	0.4	mA
		Total of all pins		6.4	mA
Operating ambient temperature		T _A	In normal operation mode		-40 to +85
	In flash memory programming mode				
Storage temperature	T _{stg}			-65 to +150	°C

Caution Product quality may suffer if the absolute maximum rating is exceeded even momentarily for any parameter. That is, the absolute maximum ratings are rated values at which the product is on the verge of suffering physical damage, and therefore the product must be used under conditions that ensure that the absolute maximum ratings are not exceeded.

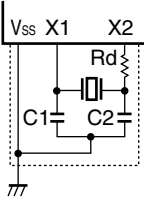
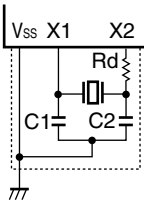
Remark Unless specified otherwise, the characteristics of alternate-function pins are the same as those of the port pins.

Caution The pins mounted depend on the product. Refer to 1.3.1 25-pin products to 1.3.4 64-pin products.

2.2 Oscillator Characteristics

2.2.1 Main system clock oscillator characteristics

($T_A = -40$ to $+85^\circ\text{C}$, $1.6\text{ V} \leq E_{VDD0} \leq V_{DD} \leq 3.6\text{ V}$, $V_{SS} = E_{VSS0} = 0\text{ V}$)

Resonator	Recommended Circuit	Parameter	Conditions	MIN.	TYP.	MAX.	Unit
Ceramic resonator		X1 clock oscillation frequency (f_x) ^{Note}	$2.7\text{ V} \leq V_{DD} \leq 3.6\text{ V}$	1.0		20.0	MHz
			$1.8\text{ V} \leq V_{DD} < 2.7\text{ V}$	1.0		8.0	MHz
			$1.6\text{ V} \leq V_{DD} < 1.8\text{ V}$	1.0		4.0	MHz
Crystal resonator		X1 clock oscillation frequency (f_x) ^{Note}	$2.7\text{ V} \leq V_{DD} \leq 3.6\text{ V}$	1.0		20.0	MHz
			$1.8\text{ V} \leq V_{DD} < 2.7\text{ V}$	1.0		8.0	MHz
			$1.6\text{ V} \leq V_{DD} < 1.8\text{ V}$	1.0		4.0	MHz

Note Indicates only oscillator characteristics. Refer to AC Characteristics for instruction execution time.

Cautions 1. When using the X1 oscillator, wire as follows in the area enclosed by the broken lines in the above figures to avoid an adverse effect from wiring capacitance.

- Keep the wiring length as short as possible.
 - Do not cross the wiring with the other signal lines.
 - Do not route the wiring near a signal line through which a high fluctuating current flows.
 - Always make the ground point of the oscillator capacitor the same potential as V_{SS} .
 - Do not ground the capacitor to a ground pattern through which a high current flows.
 - Do not fetch signals from the oscillator.
2. Since the CPU is started by the high-speed on-chip oscillator clock after a reset release, check the X1 clock oscillation stabilization time using the oscillation stabilization time counter status register (OSTC) by the user. Determine the oscillation stabilization time of the OSTC register and the oscillation stabilization time select register (OSTS) after sufficiently evaluating the oscillation stabilization time with the resonator to be used.

Caution The pins mounted depend on the product. Refer to 1.3.1 25-pin products to 1.3.4 64-pin products.

2.2.2 On-chip oscillator characteristics

($T_A = -20$ to $+85^\circ\text{C}$, $1.6\text{ V} \leq EV_{DD0} \leq V_{DD} \leq 3.6\text{ V}$, $V_{SS} = EV_{SS0} = 0\text{ V}$)

Oscillators	Parameters	Conditions		MIN.	TYP.	MAX.	Unit
High-speed on-chip oscillator clock frequency ^{Note}	f_{IH}	$1.8\text{ V} \leq V_{DD} \leq 3.6\text{ V}$	32 MHz selected	31.68	32.00	32.32	MHz
			24 MHz selected	23.76	24.00	24.24	MHz
			16 MHz selected	15.84	16.00	16.16	MHz
			12 MHz selected	11.88	12.00	12.12	MHz
			8 MHz selected	7.92	8.00	8.08	MHz
			4 MHz selected	3.96	4.00	4.04	MHz
			1 MHz selected	0.99	1.00	1.01	MHz
		$1.6\text{ V} \leq V_{DD} < 1.8\text{ V}$	32 MHz selected	30.40	32.00	33.60	MHz
			24 MHz selected	22.80	24.00	25.20	MHz
			16 MHz selected	15.20	16.00	16.80	MHz
			12 MHz selected	11.40	12.00	12.60	MHz
			8 MHz selected	7.60	8.00	8.40	MHz
			4 MHz selected	3.80	4.00	4.20	MHz
			1 MHz selected	0.95	1.00	1.05	MHz
Low-speed on-chip oscillator clock frequency	f_{IL}		12.75	15	17.25	kHz	

($T_A = -40$ to -20°C , $1.6\text{ V} \leq EV_{DD0} \leq V_{DD} \leq 3.6\text{ V}$, $V_{SS} = EV_{SS0} = 0\text{ V}$)

Oscillators	Parameters	Conditions		MIN.	TYP.	MAX.	Unit
High-speed on-chip oscillator clock frequency ^{Note}	f_{IH}	$1.8\text{ V} \leq V_{DD} \leq 3.6\text{ V}$	32 MHz selected	31.52	32.00	32.48	MHz
			24 MHz selected	23.64	24.00	24.36	MHz
			16 MHz selected	15.76	16.00	16.24	MHz
			12 MHz selected	11.82	12.00	12.18	MHz
			8 MHz selected	7.88	8.00	8.12	MHz
			4 MHz selected	3.94	4.00	4.06	MHz
			1 MHz selected	0.985	1.00	1.015	MHz
		$1.6\text{ V} \leq V_{DD} < 1.8\text{ V}$	32 MHz selected	30.24	32.00	33.76	MHz
			24 MHz selected	22.68	24.00	25.32	MHz
			16 MHz selected	15.12	16.00	16.88	MHz
			12 MHz selected	11.34	12.00	12.66	MHz
			8 MHz selected	7.56	8.00	8.44	MHz
			4 MHz selected	3.78	4.00	4.22	MHz
			1 MHz selected	0.945	1.00	1.055	MHz
Low-speed on-chip oscillator clock frequency	f_{IL}		12.75	15	17.25	kHz	

Note This only indicates the oscillator characteristics. Refer to AC Characteristics for instruction execution time.

Caution The pins mounted depend on the product. Refer to 1.3.1 25-pin products to 1.3.4 64-pin products.

2.2.3 Subsystem clock oscillator characteristics

($T_A = -40$ to $+85^\circ\text{C}$, $1.6\text{ V} \leq E_{V_{DD0}} \leq V_{DD} \leq 3.6\text{ V}$, $V_{SS} = E_{V_{SS0}} = 0\text{ V}$)

Resonator	Recommended Circuit	Items	Conditions	MIN.	TYP.	MAX.	Unit
Crystal resonator		XT1 clock oscillation frequency (f_{XT}) ^{Note}		32	32.768	35	kHz

Note Indicates only oscillator characteristics. Refer to AC Characteristics for instruction execution time.

Cautions 1. When using the XT1 oscillator, wire as follows in the area enclosed by the broken lines in the above figures to avoid an adverse effect from wiring capacitance.

- Keep the wiring length as short as possible.
 - Do not cross the wiring with the other signal lines.
 - Do not route the wiring near a signal line through which a high fluctuating current flows.
 - Always make the ground point of the oscillator capacitor the same potential as V_{SS} .
 - Do not ground the capacitor to a ground pattern through which a high current flows.
 - Do not fetch signals from the oscillator.
2. The XT1 oscillator is designed as a low-amplitude circuit for reducing power consumption, and is more prone to malfunction due to noise than the X1 oscillator. Particular care is therefore required with the wiring method when the XT1 clock is used.

Caution The pins mounted depend on the product. Refer to 1.3.1 25-pin products to 1.3.4 64-pin products.

2.3 DC Characteristics

2.3.1 Pin characteristics

($T_A = -40$ to $+85^\circ\text{C}$, $1.6\text{ V} \leq EV_{DD0} \leq V_{DD} \leq 3.6\text{ V}$, $V_{SS} = EV_{SS0} = 0\text{ V}$)

Items	Symbol	Conditions	MIN.	TYP.	MAX.	Unit		
Output current, high ^{Note 1}	I _{OH1}	Per pin for P00 to P06, P10 to P16, P30, P31, P40 to P43, P50, P51, P70 to P77, P120, P130, P140, P141	$1.6\text{ V} \leq EV_{DD0} \leq 3.6\text{ V}$			-10.0 ^{Note 2}	mA	
		Total of P00 to P04, P40 to P43, P120, P130, P140, P141 (When duty = 70% ^{Note 3})	$2.7\text{ V} \leq EV_{DD0} \leq 3.6\text{ V}$			-10.0	mA	
			$1.8\text{ V} \leq EV_{DD0} < 2.7\text{ V}$			-5.0	mA	
			$1.6\text{ V} \leq EV_{DD0} < 1.8\text{ V}$			-2.5	mA	
		Total of P05, P06, P10 to P16, P30, P31, P50, P51, P70 to P77, (When duty = 70% ^{Note 3})	$2.7\text{ V} \leq EV_{DD0} \leq 3.6\text{ V}$			-19.0	mA	
			$1.8\text{ V} \leq EV_{DD0} < 2.7\text{ V}$			-10.0	mA	
			$1.6\text{ V} \leq EV_{DD0} < 1.8\text{ V}$			-5.0	mA	
		Total of all pins (When duty = 70% ^{Note 3})	$1.6\text{ V} \leq EV_{DD0} \leq 3.6\text{ V}$			-29.0	mA	
		I _{OH2}	Per pin for P20 to P27, P150 to P154	$1.6\text{ V} \leq AV_{DD} \leq 3.6\text{ V}$			-0.1 ^{Note 2}	mA
			Total of all pins (When duty = 70% ^{Note 3})	$1.6\text{ V} \leq AV_{DD} \leq 3.6\text{ V}$			-1.3	mA

- Notes**
- Value of current at which the device operation is guaranteed even if the current flows from the EV_{DD0}, V_{DD} pins to an output pin.
 - However, do not exceed the total current value.
 - Specification under conditions where the duty factor is 70%.
 The output current value that has changed the duty ratio can be calculated with the following expression (when changing the duty factor from 70% to n%).
 - Total output current of pins = $(I_{OH} \times 0.7)/(n \times 0.01)$
 <Example> Where n = 50% and I_{OH} = -10.0 mA
 Total output current of pins = $(-10.0 \times 0.7)/(50 \times 0.01) = -14.0\text{ mA}$
 However, the current that is allowed to flow into one pin does not vary depending on the duty factor. A current higher than the absolute maximum rating must not flow into one pin.

- Cautions**
- P00, P02 to P04, P10 to P15, P43, P50, P71, and P74 do not output high level in N-ch open-drain mode.
 - Always use AV_{DD} pin with the same potential as the V_{DD} pin.

Remark Unless specified otherwise, the characteristics of alternate-function pins are the same as those of the port pins.

Caution The pins mounted depend on the product. Refer to 1.3.1 25-pin products to 1.3.4 64-pin products.

($T_A = -40$ to $+85^\circ\text{C}$, $1.6\text{ V} \leq AV_{DD} \leq 3.6\text{ V}$, $1.6\text{ V} \leq EV_{DD0} \leq V_{DD} \leq 3.6\text{ V}$, $V_{SS} = EV_{SS0} = 0\text{ V}$)

Items	Symbol	Conditions	MIN.	TYP.	MAX.	Unit	
Output current, I_{OL} ^{Note 1}	I _{OL1}	Per pin for P00 to P06, P10 to P16, P30, P31, P40 to P43, P50, P51, P70 to P77, P120, P130, P140, P141			20.0 ^{Note 2}	mA	
					15.0 ^{Note 2}		
		Total of P00 to P04, P40 to P43, P120, P130, P140, P141 (When duty = 70% ^{Note 3})	$2.7\text{ V} \leq EV_{DD0} \leq 3.6\text{ V}$		15.0	mA	
			$1.8\text{ V} \leq EV_{DD0} < 2.7\text{ V}$		9.0		
			$1.6\text{ V} \leq EV_{DD0} < 1.8\text{ V}$		4.5		
		Total of P05, P06, P10 to P16, P30, P31, P50, P51, P60 to P63, P70 to P77 (When duty = 70% ^{Note 3})	$2.7\text{ V} \leq EV_{DD0} \leq 3.6\text{ V}$		35.0	mA	
			$1.8\text{ V} \leq EV_{DD0} < 2.7\text{ V}$		20.0		
	$1.6\text{ V} \leq EV_{DD0} < 1.8\text{ V}$			10.0			
	Total of all pins (When duty = 70% ^{Note 3})					50.0	mA
	I _{OL2}	Per pin for P20 to P27, P150 to P154			0.4 ^{Note 2}		
Total of all pins (When duty = 70% ^{Note 3})		$1.6\text{ V} \leq AV_{DD} \leq 3.6\text{ V}$			5.2	mA	

- Notes**
- Value of current at which the device operation is guaranteed even if the current flows from an output pin to the EV_{SS0} and V_{SS} pin.
 - However, do not exceed the total current value.
 - Specification under conditions where the duty factor is 70%.
 The output current value that has changed the duty ratio can be calculated with the following expression (when changing the duty factor from 70% to n%).
 - Total output current of pins = $(I_{OL} \times 0.7)/(n \times 0.01)$
 <Example> Where n = 50% and I_{OL} = 10.0 mA
 Total output current of pins = $(10.0 \times 0.7)/(50 \times 0.01) = 14.0\text{ mA}$
 However, the current that is allowed to flow into one pin does not vary depending on the duty factor. A current higher than the absolute maximum rating must not flow into one pin.

Caution Always use AV_{DD} pin with the same potential as the V_{DD} pin.

Remark Unless specified otherwise, the characteristics of alternate-function pins are the same as those of the port pins.

Caution The pins mounted depend on the product. Refer to 1.3.1 25-pin products to 1.3.4 64-pin products.

($T_A = -40$ to $+85^\circ\text{C}$, $1.6\text{ V} \leq AV_{DD} \leq 3.6\text{ V}$, $1.6\text{ V} \leq EV_{DD0} \leq V_{DD} \leq 3.6\text{ V}$, $V_{SS} = EV_{SS0} = 0\text{ V}$)

Items	Symbol	Conditions	MIN.	TYP.	MAX.	Unit	
Input voltage, high	V_{IH1}	P00 to P06, P10 to P16, P30, P31, P40 to P43, P50, P51, P70 to P77, P120, P140, P141	Normal input buffer	$0.8EV_{DD0}$		EV_{DD0}	V
	V_{IH2}	P01, P03, P04, P10, P11, P13 to P16, P43	TTL input buffer $3.3\text{ V} \leq EV_{DD0} < 3.6\text{ V}$	2.0		EV_{DD0}	V
			TTL input buffer $1.6\text{ V} \leq EV_{DD0} < 3.3\text{ V}$	1.5		EV_{DD0}	V
	V_{IH3}	P20 to P27, P150 to P154		$0.7AV_{DD}$		AV_{DD}	V
	V_{IH4}	P60 to P63		$0.7EV_{DD0}$		6.0	V
	V_{IH5}	P121 to P124, P137, EXCLK, EXCLKS, $\overline{\text{RESET}}$		$0.8V_{DD}$		V_{DD}	V
Input voltage, low	V_{IL1}	P00 to P06, P10 to P16, P30, P31, P40 to P43, P50, P51, P70 to P77, P120, P140, P141	Normal input buffer	0		$0.2EV_{DD0}$	V
	V_{IL2}	P01, P03, P04, P10, P11, P13 to P16, P43	TTL input buffer $3.3\text{ V} \leq EV_{DD0} < 3.6\text{ V}$	0		0.5	V
			TTL input buffer $1.6\text{ V} \leq EV_{DD0} < 3.3\text{ V}$	0		0.32	V
	V_{IL3}	P20 to P27, P150 to P154		0		$0.3AV_{DD}$	V
	V_{IL4}	P60 to P63		0		$0.3EV_{DD0}$	V
	V_{IL5}	P121 to P124, P137, EXCLK, EXCLKS, $\overline{\text{RESET}}$		0		$0.2V_{DD}$	V

- Cautions**
- The maximum value of V_{IH} of pins P00, P02 to P04, P10 to P15, P43, P50, P71, and P74 is EV_{DD0} , even in the N-ch open-drain mode.
 - Always use AV_{DD} pin with the same potential as the V_{DD} pin.

Remark Unless specified otherwise, the characteristics of alternate-function pins are the same as those of the port pins.

Caution The pins mounted depend on the product. Refer to 1.3.1 25-pin products to 1.3.4 64-pin products.

($T_A = -40$ to $+85^\circ\text{C}$, $1.6\text{ V} \leq AV_{DD} \leq 3.6\text{ V}$, $1.6\text{ V} \leq EV_{DD0} \leq V_{DD} \leq 3.6\text{ V}$, $V_{SS} = EV_{SS0} = 0\text{ V}$)

Items	Symbol	Conditions	MIN.	TYP.	MAX.	Unit
Output voltage, high	V _{OH1}	P00 to P06, P10 to P16, P30, P31, P40 to P43, P50, P51, P70 to P77, P120, P130, P140, P141	$2.7\text{ V} \leq EV_{DD0} \leq 3.6\text{ V}$, $I_{OH1} = -2.0\text{ mA}$	$EV_{DD0} - 0.6$		V
			$1.8\text{ V} \leq EV_{DD0} \leq 3.6\text{ V}$, $I_{OH1} = -1.5\text{ mA}$	$EV_{DD0} - 0.5$		V
			$1.6\text{ V} \leq EV_{DD0} < 3.6\text{ V}$, $I_{OH1} = -1.0\text{ mA}$	$EV_{DD0} - 0.5$		V
	V _{OH2}	P20 to P27, P150 to P154	$1.6\text{ V} \leq AV_{DD} \leq 3.6\text{ V}$, $I_{OH2} = -100\ \mu\text{A}$	$AV_{DD} - 0.5$		V
Output voltage, low	V _{OL1}	P00 to P06, P10 to P16, P30, P31, P40 to P43, P50, P51, P70 to P77, P120, P130, P140, P141	$2.7\text{ V} \leq EV_{DD0} \leq 3.6\text{ V}$, $I_{OL1} = 3.0\text{ mA}$		0.6	V
			$2.7\text{ V} \leq EV_{DD0} \leq 3.6\text{ V}$, $I_{OL1} = 1.5\text{ mA}$		0.4	V
			$1.8\text{ V} \leq EV_{DD0} \leq 3.6\text{ V}$, $I_{OL1} = 0.6\text{ mA}$		0.4	V
			$1.6\text{ V} \leq EV_{DD0} < 1.8\text{ V}$, $I_{OL1} = 0.3\text{ mA}$		0.4	V
	V _{OL2}	P20 to P27, P150 to P154	$1.6\text{ V} \leq AV_{DD} \leq 3.6\text{ V}$, $I_{OL2} = 400\ \mu\text{A}$		0.4	V
	V _{OL3}	P60 to P63	$2.7\text{ V} \leq EV_{DD0} \leq 3.6\text{ V}$, $I_{OL3} = 3.0\text{ mA}$		0.4	V
			$1.8\text{ V} \leq EV_{DD0} \leq 3.6\text{ V}$, $I_{OL3} = 2.0\text{ mA}$		0.4	V
$1.6\text{ V} \leq EV_{DD0} < 1.8\text{ V}$, $I_{OL3} = 1.0\text{ mA}$				0.4	V	

- Caution 1.** P00, P02 to P04, P10 to P15, P43, P50, P71, and P74 do not output high level in N-ch open-drain mode.
- 2.** Always use AV_{DD} pin with the same potential as the V_{DD} pin.

Remark Unless specified otherwise, the characteristics of alternate-function pins are the same as those of the port pins.

Caution The pins mounted depend on the product. Refer to 1.3.1 25-pin products to 1.3.4 64-pin products.

($T_A = -40$ to $+85^\circ\text{C}$, $1.6\text{ V} \leq AV_{DD} \leq 3.6\text{ V}$, $1.6\text{ V} \leq EV_{DD0} \leq V_{DD} \leq 3.6\text{ V}$, $V_{SS} = EV_{SS0} = 0\text{ V}$)

Items	Symbol	Conditions	MIN.	TYP.	MAX.	Unit		
Input leakage current, high	I _{LIH1}	P00 to P06, P10 to P16, P30, P31, P40 to P43, P50, P51, P60 to P63, P70 to P77, P120, P140, P141	V _I = EV _{DD0}		1	μA		
	I _{LIH2}	P20 to P27, P137, P150 to P154, RESET	V _I = V _{DD}		1	μA		
	I _{LIH3}	P121 to P124 (X1, X2, XT1, XT2, EXCLK, EXCLKS)	V _I = V _{DD}		1	μA		
			In resonator connection		10	μA		
	I _{LIH4}	P20 to P27, P150 to P154	V _I = AV _{DD}		1	μA		
Input leakage current, low	I _{LIL1}	P00 to P06, P10 to P16, P30, P31, P40 to P43, P50, P51, P60 to P67, P70 to P77, P120, P140, P141	V _I = EV _{SS0}		-1	μA		
	I _{LIL2}	P20 to P27, P137, P150 to P154, RESET	V _I = V _{SS}		-1	μA		
	I _{LIL3}	P121 to P124 (X1, X2, XT1, XT2, EXCLK, EXCLKS)	V _I = V _{SS}		-1	μA		
			In resonator connection		-10	μA		
	I _{LIL4}	P20 to P27, P150 to P154	V _I = AV _{SS}		-1	μA		
On-chip pull-up resistance	R _U	P00 to P06, P10 to P16, P30, P31, P40 to P43, P50, P51, P70 to P77, P120, P140, P141	V _I = EV _{SS0} , In input port		10	20	100	kΩ

Caution Always use AV_{DD} pin with the same potential as the V_{DD} pin.

Remark Unless specified otherwise, the characteristics of alternate-function pins are the same as those of the port pins.

Caution The pins mounted depend on the product. Refer to 1.3.1 25-pin products to 1.3.4 64-pin products.

2.3.2 Supply current characteristics

($T_A = -40$ to $+85^\circ\text{C}$, $1.6\text{ V} \leq EV_{DD0} \leq V_{DD} \leq 3.6\text{ V}$, $V_{SS} = EV_{SS0} = 0\text{ V}$)

(1/2)

Parameter	Symbol	Conditions				MIN.	TYP.	MAX.	Unit	
Supply current	I_{DD1} ^{Note 1}	Operating mode	High-speed operation ^{Note 5}	$f_{IH} = 32\text{ MHz}$ ^{Note 3}	Basic operation	$V_{DD} = 3.0\text{ V}$		2.1		mA
					Normal operation	$V_{DD} = 3.0\text{ V}$		4.6	7.0	mA
				Normal operation	$f_{IH} = 24\text{ MHz}$ ^{Note 3}	$V_{DD} = 3.0\text{ V}$		3.7	5.5	mA
					$f_{IH} = 16\text{ MHz}$ ^{Note 3}	$V_{DD} = 3.0\text{ V}$		2.7	4.0	mA
			Low-speed operation ^{Note 5}	$f_{IH} = 8\text{ MHz}$ ^{Note 3}	Normal operation	$V_{DD} = 3.0\text{ V}$		1.2	1.8	mA
						$V_{DD} = 2.0\text{ V}$		1.2	1.8	mA
			Low-voltage operation ^{Note 5}	$f_{IH} = 4\text{ MHz}$ ^{Note 3}	Normal operation	$V_{DD} = 3.0\text{ V}$		1.2	1.7	mA
						$V_{DD} = 2.0\text{ V}$		1.2	1.7	mA
			High-speed operation ^{Note 5}	$f_{MX} = 20\text{ MHz}$ ^{Note 2} , $V_{DD} = 3.0\text{ V}$	Normal operation	Square wave input		3.0	4.6	mA
						Resonator connection		3.2	4.8	mA
		$f_{MX} = 10\text{ MHz}$ ^{Note 2} , $V_{DD} = 3.0\text{ V}$		Normal operation	Square wave input		1.9	2.7	mA	
					Resonator connection		1.9	2.7	mA	
		Low-speed operation ^{Note 5}	$f_{MX} = 8\text{ MHz}$ ^{Note 2} , $V_{DD} = 3.0\text{ V}$	Normal operation	Square wave input		1.1	1.7	mA	
					Resonator connection		1.1	1.7	mA	
			$f_{MX} = 8\text{ MHz}$ ^{Note 2} , $V_{DD} = 2.0\text{ V}$	Normal operation	Square wave input		1.1	1.7	mA	
					Resonator connection		1.1	1.7	mA	
		Subsystem clock operation	$f_{SUB} = 32.768\text{ kHz}$ ^{Note 4} $T_A = -40^\circ\text{C}$	Normal operation	Square wave input		4.1		μA	
					Resonator connection		4.2		μA	
			$f_{SUB} = 32.768\text{ kHz}$ ^{Note 4} $T_A = +25^\circ\text{C}$	Normal operation	Square wave input		4.1	4.9	μA	
					Resonator connection		4.2	5.0	μA	
$f_{SUB} = 32.768\text{ kHz}$ ^{Note 4} $T_A = +50^\circ\text{C}$	Normal operation		Square wave input		4.2	5.5	μA			
			Resonator connection		4.3	5.6	μA			
$f_{SUB} = 32.768\text{ kHz}$ ^{Note 4} $T_A = +70^\circ\text{C}$	Normal operation		Square wave input		4.2	6.3	μA			
			Resonator connection		4.3	6.4	μA			
$f_{SUB} = 32.768\text{ kHz}$ ^{Note 4} $T_A = +85^\circ\text{C}$	Normal operation	Square wave input		4.8	7.7	μA				
		Resonator connection		4.9	7.8	μA				

(Notes and Remarks are listed on the next page.)

Caution The pins mounted depend on the product. Refer to 1.3.1 25-pin products to 1.3.4 64-pin products.

Notes 1. Total current flowing into V_{DD} and EV_{DD0} , including the input leakage current flowing when the level of the input pin is fixed to V_{DD} , EV_{DD0} or V_{SS} , EV_{SS0} . The values below the MAX. column include the peripheral operation current (except for background operation (BGO)). However, not including the current flowing into the A/D converter, LVD circuit, I/O port, and on-chip pull-up/pull-down resistors.

2. When high-speed on-chip oscillator and subsystem clock are stopped.

3. When high-speed system clock and subsystem clock are stopped.

4. When high-speed on-chip oscillator and high-speed system clock are stopped. When real-time counter and watchdog timer is stopped. When AMPHS1 = 1 (Ultra-low power consumption oscillation).

5. Relationship between operation voltage width, operation frequency of CPU and operation mode is as below.

High speed operation: $V_{DD} = 2.7\text{ V to }3.6\text{ V@1 MHz to }32\text{ MHz}$, $V_{DD} = 2.4\text{ V to }3.6\text{ V@1 MHz to }16\text{ MHz}$

Low speed operation: $V_{DD} = 1.8\text{ V to }3.6\text{ V@1 MHz to }8\text{ MHz}$

Low voltage operation: $V_{DD} = 1.6\text{ V to }3.6\text{ V@1 MHz to }4\text{ MHz}$

Remarks 1. f_{MX} : High-speed system clock frequency (X1 clock oscillation frequency or external main system clock frequency)

2. f_{IH} : High-speed on-chip oscillator clock frequency

3. f_{SUB} : Subsystem clock frequency (XT1 clock oscillation frequency)

4. Except subsystem clock operation, temperature condition of the TYP. value is $T_A = 25^\circ\text{C}$

Caution The pins mounted depend on the product. Refer to 1.3.1 25-pin products to 1.3.4 64-pin products.

($T_A = -40$ to $+85^\circ\text{C}$, $1.6\text{ V} \leq EV_{DD0} \leq V_{DD} \leq 3.6\text{ V}$, $V_{SS} = EV_{SS0} = 0\text{ V}$) (2/2)

Parameter	Symbol	Conditions		MIN.	TYP.	MAX.	Unit		
Supply current Note 1	I _{DD2} Note 2	HALT mode	High-speed operation Note 7	f _{IH} = 32 MHz ^{Note 4}	V _{DD} = 3.0 V		0.54	1.63	mA
				f _{IH} = 24 MHz ^{Note 4}	V _{DD} = 3.0 V		0.44	1.28	mA
				f _{IH} = 16 MHz ^{Note 4}	V _{DD} = 3.0 V		0.40	1.00	mA
			Low-speed operation Note 7	f _{IH} = 8 MHz ^{Note 4}	V _{DD} = 3.0 V		260	530	μA
					V _{DD} = 2.0 V		260	530	μA
			Low-voltage operation Note 7	f _{IH} = 4 MHz ^{Note 4}	V _{DD} = 3.0 V		420	640	μA
					V _{DD} = 2.0 V		420	640	μA
			High-speed operation Note 7	f _{MX} = 20 MHz ^{Note 3} , V _{DD} = 3.0 V	Square wave input		0.28	1.00	mA
					Resonator connection		0.45	1.17	mA
				f _{MX} = 10 MHz ^{Note 3} , V _{DD} = 3.0 V	Square wave input		0.19	0.60	mA
					Resonator connection		0.26	0.67	mA
			Low-speed operation Note 7	f _{MX} = 8 MHz ^{Note 3} , V _{DD} = 3.0 V	Square wave input		95	330	μA
					Resonator connection		145	380	μA
				f _{MX} = 8 MHz ^{Note 3} , V _{DD} = 2.0 V	Square wave input		95	330	μA
					Resonator connection		145	380	μA
			Subsystem clock operation	f _{SUB} = 32.768 kHz ^{Note 5} T _A = -40°C	Square wave input		0.25		μA
					Resonator connection		0.44		μA
				f _{SUB} = 32.768 kHz ^{Note 5} T _A = +25°C	Square wave input		0.30	0.57	μA
					Resonator connection		0.49	0.76	μA
				f _{SUB} = 32.768 kHz ^{Note 5} T _A = +50°C	Square wave input		0.33	1.17	μA
					Resonator connection		0.52	1.36	μA
				f _{SUB} = 32.768 kHz ^{Note 5} T _A = +70°C	Square wave input		0.36	1.97	μA
					Resonator connection		0.55	2.16	μA
			f _{SUB} = 32.768 kHz ^{Note 5} T _A = +85°C	Square wave input		0.97	3.37	μA	
Resonator connection		1.16		3.56	μA				
I _{DD3} Note 6	STOP mode	T _A = -40°C			0.18		μA		
		T _A = +25°C			0.23	0.50	μA		
		T _A = +50°C			0.26	1.10	μA		
		T _A = +70°C			0.29	1.90	μA		
		T _A = +85°C			0.90	3.30	μA		

(Notes and Remarks are listed on the next page.)

Caution The pins mounted depend on the product. Refer to 1.3.1 25-pin products to 1.3.4 64-pin products.

Notes 1. Total current flowing into V_{DD} and EV_{DD0} , including the input leakage current flowing when the level of the input pin is fixed to V_{DD} , EV_{DD0} or V_{SS} , EV_{SS0} . The values below the MAX. column include the peripheral operation current. However, not including the current flowing into the A/D converter, LVD circuit, I/O port, and on-chip pull-up/pull-down resistors.

2. During HALT instruction execution by flash memory.

3. When high-speed on-chip oscillator and subsystem clock are stopped.

4. When high-speed system clock and subsystem clock are stopped.

5. When operating real-time clock (RTC) and setting ultra-low current consumption ($AMPHS1 = 1$). When high-speed on-chip oscillator and high-speed system clock are stopped. When watchdog timer is stopped. The values below the MAX. column include the leakage current.

6. When high-speed on-chip oscillator, high-speed system clock, and subsystem clock are stopped. When watchdog timer is stopped. The values below the MAX. column include the leakage current.

7. Relationship between operation voltage width, operation frequency of CPU and operation mode is as below.

High speed operation: $V_{DD} = 2.7\text{ V to }3.6\text{ V}@1\text{ MHz to }32\text{ MHz}$, $V_{DD} = 2.4\text{ V to }3.6\text{ V}@1\text{ MHz to }16\text{ MHz}$

Low speed operation: $V_{DD} = 1.8\text{ V to }3.6\text{ V}@1\text{ MHz to }8\text{ MHz}$

Low voltage operation: $V_{DD} = 1.6\text{ V to }3.6\text{ V}@1\text{ MHz to }4\text{ MHz}$

Remarks 1. f_{MX} : High-speed system clock frequency (X1 clock oscillation frequency or external main system clock frequency)

2. f_{IH} : High-speed on-chip oscillator clock frequency

3. f_{SUB} : Subsystem clock frequency (XT1 clock oscillation frequency)

4. Except subsystem clock operation and STOP mode, temperature condition of the TYP. value is $T_A = 25^\circ\text{C}$

Caution The pins mounted depend on the product. Refer to 1.3.1 25-pin products to 1.3.4 64-pin products.

($T_A = -40$ to $+85^\circ\text{C}$, $1.6\text{ V} \leq EV_{DD0} \leq V_{DD} \leq 3.6\text{ V}$, $V_{SS} = EV_{SS0} = 0\text{ V}$)

Parameter	Symbol	Conditions		MIN.	TYP.	MAX.	Unit
RTC operating current	I _{RTC} ^{Notes 1, 2}	f _{SUB} = 32.768 kHz	Real-time clock operation		0.02		μA
			Interval timer operation		0.02		
Watchdog timer operating current	I _{WDT} ^{Notes 2, 3}	f _{IL} = 15 kHz			0.22		μA
A/D converter operating current	I _{ADC} ^{Note 4}	Reference power supply is other than the internal reference voltage, AV _{DD} = 3.6 V	ANI0 to ANI12		460	1090	μA
			ANI16 to ANI30		400	950	μA
			Reference power supply is the internal reference voltage, AV _{DD} = 3.6 V	ANI0 to ANI12, ANI16 to ANI30		400	950
Temperature sensor operating current	I _{TMPS}				75		μA
LVD operating current	I _{LVI} ^{Note 5}				0.08		μA
BGO operating current	I _{BGO} ^{Note 6}				2.50	12.20	mA

- Notes**
- Current flowing only to the real-time clock (excluding the operating current of the XT1 oscillator). The TYP. value of the current value of the RL78/G1A is the sum of the TYP. values of either I_{DD1} or I_{DD2}, and I_{RTC}, when the real-time clock operates in operation mode or HALT mode. The I_{DD1} and I_{DD2} MAX. values also include the real-time clock operating current. However, I_{DD2} subsystem clock operation includes the operational current of the real-time clock.
 - When high speed on-chip oscillator and high-speed system clock are stopped.
 - Current flowing only to the watchdog timer (including the operating current of the low-speed on-chip oscillator). The current value of the RL78/G1A is the sum of I_{DD1}, I_{DD2} or I_{DD3} and I_{WDT} when f_{CLK} = f_{SUB} when the watchdog timer operates in STOP mode.
 - Current flowing only to the A/D converter. The current value of the RL78/G1A is the sum of I_{DD1} or I_{DD2} and I_{ADC} when the A/D converter operates in an operation mode or the HALT mode.
 - Current flowing only to the LVD circuit. The current value of the RL78/G1A is the sum of I_{DD1}, I_{DD2} or I_{DD3} and I_{LVI} when the LVD circuit operates in the Operating, HALT or STOP mode.
 - Current flowing only to the BGO. The current value of the RL78/G1A is the sum of I_{DD1} or I_{DD2} and I_{BGO} when the BGO operates in an operation mode.

- Remarks**
- f_{IL}: Low-speed on-chip oscillator clock frequency
 - f_{SUB}: Subsystem clock frequency (XT1 clock oscillation frequency)
 - f_{CLK}: CPU/peripheral hardware clock frequency
 - Temperature condition of the TYP. value is T_A = 25°C

Caution The pins mounted depend on the product. Refer to 1.3.1 25-pin products to 1.3.4 64-pin products.

2.4 AC Characteristics

2.4.1 Basic operation

($T_A = -40$ to $+85^\circ\text{C}$, $1.6\text{ V} \leq AV_{DD} \leq 3.6\text{ V}$, $1.6\text{ V} \leq EV_{DD0} \leq V_{DD} \leq 3.6\text{ V}$, $V_{SS} = EV_{SS0} = 0\text{ V}$)

Items	Symbol	Conditions		MIN.	TYP.	MAX.	Unit		
Instruction cycle (minimum instruction execution time)	T_{CY}	Main system clock (f_{MAIN}) operation	High-speed main mode	$2.7\text{ V} \leq V_{DD} \leq 3.6\text{ V}$	0.03125		1	μs	
				$2.4\text{ V} \leq V_{DD} < 2.7\text{ V}$	0.0625		1	μs	
			Low voltage main mode	$1.6\text{ V} \leq V_{DD} \leq 3.6\text{ V}$	0.25		1	μs	
			Low-speed main mode	$1.8\text{ V} \leq V_{DD} \leq 3.6\text{ V}$	0.125		1	μs	
		Subsystem clock (f_{SUB}) operation		$1.8\text{ V} \leq V_{DD} \leq 3.6\text{ V}$	28.5	30.5	31.3	μs	
		In the self programming mode	High-speed main mode	$2.7\text{ V} \leq V_{DD} \leq 3.6\text{ V}$	0.03125			1	μs
				$2.4\text{ V} \leq V_{DD} < 2.7\text{ V}$	0.0625			1	μs
			Low voltage main mode	$1.8\text{ V} \leq V_{DD} \leq 3.6\text{ V}$	0.25			1	μs
Low-speed main mode	$1.8\text{ V} \leq V_{DD} \leq 3.6\text{ V}$		0.125			1	μs		
External main system clock frequency	f_{EX}	$2.7\text{ V} \leq V_{DD} \leq 3.6\text{ V}$		1.0		20.0	MHz		
		$1.8\text{ V} \leq V_{DD} < 2.7\text{ V}$		1.0		8.0	MHz		
		$1.6\text{ V} \leq V_{DD} < 1.8\text{ V}$		1.0		4.0	MHz		
	f_{EXS}			32		35	kHz		
External main system clock input high-level width, low-level width	t_{EXH} , t_{EXL}	$2.7\text{ V} \leq V_{DD} \leq 3.6\text{ V}$		24			ns		
		$1.8\text{ V} \leq V_{DD} < 2.7\text{ V}$		60			ns		
		$1.6\text{ V} \leq V_{DD} < 1.8\text{ V}$		120			ns		
	t_{EXHS} , t_{EXLS}			13.7			μs		
TI00, TI01, TI03 to TI07 input high-level width, low-level width	t_{TIH} , t_{TIL}			$1/f_{MCK}+10$			ns ^{Note}		
TO00, TO01, TO03 to TO07 output frequency	f_{TO}	High-speed main mode	$2.7\text{ V} \leq EV_{DD0} \leq 3.6\text{ V}$			8	MHz		
			$1.8\text{ V} \leq EV_{DD0} < 2.7\text{ V}$			4	MHz		
			$1.6\text{ V} \leq EV_{DD0} < 1.8\text{ V}$			2	MHz		
		Low voltage main mode	$1.6\text{ V} \leq EV_{DD0} \leq 3.6\text{ V}$			2	MHz		
			Low-speed main mode	$1.8\text{ V} \leq EV_{DD0} \leq 3.6\text{ V}$			4	MHz	
				$1.6\text{ V} \leq EV_{DD0} < 1.8\text{ V}$			2	MHz	
PCLBUZ0, PCLBUZ1 output frequency	f_{PCL}	High-speed main mode	$2.7\text{ V} \leq EV_{DD0} \leq 3.6\text{ V}$			8	MHz		
			$1.8\text{ V} \leq EV_{DD0} < 2.7\text{ V}$			4	MHz		
			$1.6\text{ V} \leq EV_{DD0} < 1.8\text{ V}$			2	MHz		
		Low voltage main mode	$1.8\text{ V} \leq EV_{DD0} \leq 3.6\text{ V}$			4	MHz		
			Low-speed main mode	$1.6\text{ V} \leq EV_{DD0} < 1.8\text{ V}$			2	MHz	
				$1.8\text{ V} \leq EV_{DD0} \leq 3.6\text{ V}$			4	MHz	
Interrupt input high-level width, low-level width	t_{INTH} , t_{INTL}	INTP0	$1.6\text{ V} \leq V_{DD} \leq 3.6\text{ V}$	1			μs		
		INTP1 to INTP11	$1.6\text{ V} \leq EV_{DD0} \leq 3.6\text{ V}$	1			μs		
Key interrupt input low-level width	t_{KR}	KR0 to KR9	$1.8\text{ V} \leq EV_{DD0} \leq 3.6\text{ V}$, $1.8\text{ V} \leq AV_{DD} \leq 3.6\text{ V}$	250			ns		
			$1.6\text{ V} \leq EV_{DD0} < 1.8\text{ V}$, $1.6\text{ V} \leq AV_{DD} < 1.8\text{ V}$	1			μs		
RESET low-level width	t_{RSL}			10			μs		

(Note, Caution and Remark are listed on the next page.)

Caution The pins mounted depend on the product. Refer to 1.3.1 25-pin products to 1.3.4 64-pin products.

Note The following conditions are required for low voltage interface when $E_{VDD0} < V_{DD}$
 $1.8\text{ V} \leq E_{VDD0} < 2.7\text{ V}$: MIN. 125 ns
 $1.6\text{ V} \leq E_{VDD0} < 1.8\text{ V}$: MIN. 250 ns

Caution Always use AV_{DD} pin with the same potential as the V_{DD} pin.

Remark f_{MCK} : Timer array unit operation clock frequency
(Operation clock to be set by the $CKS0n$ bit of timer mode register 0n (TMR0n). n: Channel number (n = 0 to 7))

Caution The pins mounted depend on the product. Refer to 1.3.1 25-pin products to 1.3.4 64-pin products.

2.5 Peripheral Functions Characteristics

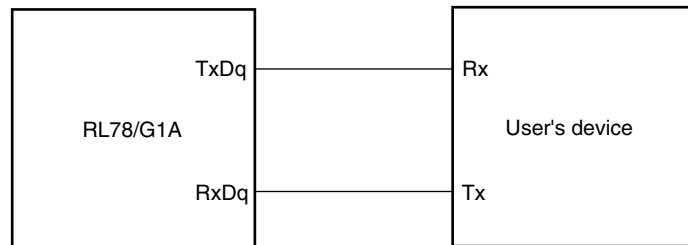
2.5.1 Serial array unit

(1) During communication at same potential (UART mode) (dedicated baud rate generator output)

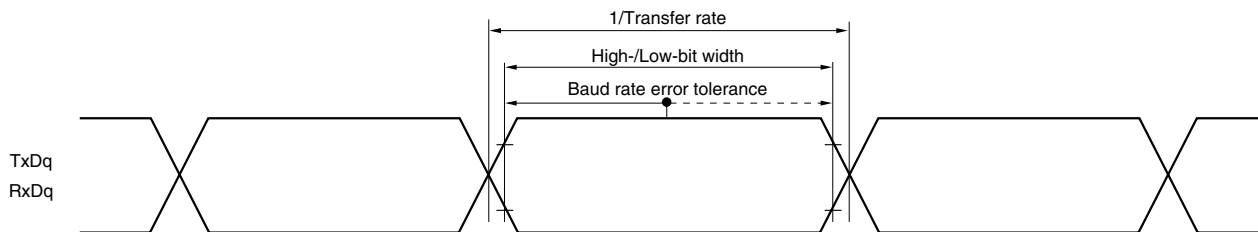
($T_A = -40$ to $+85^\circ\text{C}$, $1.6\text{ V} \leq E_{VDD0} \leq V_{DD} \leq 3.6\text{ V}$, $V_{SS} = E_{VSS0} = 0\text{ V}$)

Parameter	Symbol	Conditions	MIN.	TYP.	MAX.	Unit
Transfer rate ^{Note 1}					$f_{MCK}/6$ ^{Note 2}	bps
		Theoretical value of the maximum transfer rate $f_{CLK} = 32\text{ MHz}$, $f_{MCK} = f_{CLK}$			5.3	Mbps

UART mode connection diagram (during communication at same potential)



UART mode bit width (during communication at same potential) (reference)



- Notes**
- Transfer rate in the SNOOZE mode is max. 9600 bps, min. 4800 bps.
 - The following conditions are required for low voltage interface when $E_{VDD0} < V_{DD}$.
 - $2.4\text{ V} \leq E_{VDD0} < 2.7\text{ V}$: MAX. 2.6 Mbps
 - $1.8\text{ V} \leq E_{VDD0} < 2.4\text{ V}$: MAX. 1.3 Mbps
 - $1.6\text{ V} \leq E_{VDD0} < 1.8\text{ V}$: MAX. 0.6 Mbps

Caution Select the normal input buffer for the RxDq pin and the normal output mode for the TxDq pin by using port input mode register g (PIMg) and port output mode register g (POMg).

- Remarks**
- q: UART number (q = 0 to 2), g: PIM and POM number (g = 0, 1)
 - f_{MCK} : Serial array unit operation clock frequency
 (Operation clock to be set by the CKSmn bit of serial mode register mn (SMRmn). m: Unit number, n: Channel number (mn = 00 to 03, 10, 11))

Caution The pins mounted depend on the product. Refer to 1.3.1 25-pin products to 1.3.4 64-pin products.

(2) During communication at same potential (CSI mode) (master mode ($f_{MCK}/2$), \overline{SCKp} ... internal clock output)

($T_A = -40$ to $+85^\circ\text{C}$, $2.7\text{ V} \leq EV_{DD0} \leq V_{DD} \leq 3.6\text{ V}$, $V_{SS} = EV_{SS0} = 0\text{ V}$)

Parameter	Symbol	Conditions	MIN.	TYP.	MAX.	Unit
\overline{SCKp} cycle time	t_{KCY1}	$2.7\text{ V} \leq EV_{DD0} \leq 3.6\text{ V}$	83.3 ^{Note 1}			ns
\overline{SCKp} high-/low-level width	t_{KH1} , t_{KL1}	$2.7\text{ V} \leq EV_{DD0} \leq 3.6\text{ V}$	$t_{KCY1}/2 - 10$			ns
Slp setup time (to $\overline{SCKp}\uparrow$) ^{Note 2}	t_{SIK1}	$2.7\text{ V} \leq EV_{DD0} \leq 3.6\text{ V}$	33 ^{Note 5}			ns
Slp hold time (from $\overline{SCKp}\uparrow$) ^{Note 3}	t_{KSH}	$2.7\text{ V} \leq EV_{DD0} \leq 3.6\text{ V}$	10			ns
Delay time from $\overline{SCKp}\downarrow$ to SOp output ^{Note 4}	t_{KSO1}	$C = 20\text{ pF}$ ^{Note 6}			10	ns

Notes 1. The value must also be $2/f_{CLK}$ or more.

2. When $DAPmn = 0$ and $CKPmn = 0$, or $DAPmn = 1$ and $CKPmn = 1$. The Slp setup time becomes “to $\overline{SCKp}\downarrow$ ” when $DAPmn = 0$ and $CKPmn = 1$, or $DAPmn = 1$ and $CKPmn = 0$.
3. When $DAPmn = 0$ and $CKPmn = 0$, or $DAPmn = 1$ and $CKPmn = 1$. The Slp hold time becomes “from $\overline{SCKp}\downarrow$ ” when $DAPmn = 0$ and $CKPmn = 1$, or $DAPmn = 1$ and $CKPmn = 0$.
4. When $DAPmn = 0$ and $CKPmn = 0$, or $DAPmn = 1$ and $CKPmn = 1$. The delay time to SOp output becomes “from $\overline{SCKp}\uparrow$ ” when $DAPmn = 0$ and $CKPmn = 1$, or $DAPmn = 1$ and $CKPmn = 0$.
5. Using the f_{MCK} within 24 MHz.
6. C is the load capacitance of the \overline{SCKp} and SOp output lines.

Caution Select the normal input buffer for the Slp pin and the normal output mode for the SOp pin and \overline{SCKp} pin by using port input mode register g (PIMg) and port output mode register g (POMg).

Remarks 1. This specification is valid only when CSI00's peripheral I/O redirect function is not used.

2. p: CSI number (p = 00), m: Unit number (m = 0), n: Channel number (n = 0),
g: PIM and POM numbers (g = 1)
3. f_{MCK} : Serial array unit operation clock frequency
(Operation clock to be set by the CKSmn bit of serial mode register mn (SMRmn). m: Unit number,
n: Channel number (mn = 00))

Caution The pins mounted depend on the product. Refer to 1.3.1 25-pin products to 1.3.4 64-pin products.

(3) During communication at same potential (CSI mode) (master mode ($f_{MCK}/4$), \overline{SCKp} ... internal clock output)

($T_A = -40$ to $+85^\circ\text{C}$, $1.6\text{ V} \leq EV_{DD0} \leq V_{DD} \leq 3.6\text{ V}$, $V_{SS} = EV_{SS0} = 0\text{ V}$)

Parameter	Symbol	Conditions	MIN.	TYP.	MAX.	Unit
\overline{SCKp} cycle time	t_{CY1}	$2.7\text{ V} \leq EV_{DD0} \leq 3.6\text{ V}$	125 ^{Note 1}			ns
		$2.4\text{ V} \leq EV_{DD0} \leq 3.6\text{ V}$	250 ^{Note 1}			ns
		$1.8\text{ V} \leq EV_{DD0} \leq 3.6\text{ V}$	500 ^{Note 1}			ns
		$1.6\text{ V} \leq EV_{DD0} \leq 3.6\text{ V}$	1000 ^{Note 1}			ns
\overline{SCKp} high-/low-level width	t_{KH1} , t_{KL1}	$2.7\text{ V} \leq EV_{DD0} \leq 3.6\text{ V}$	$t_{CY1}/2 - 18$			ns
		$2.4\text{ V} \leq EV_{DD0} \leq 3.6\text{ V}$	$t_{CY1}/2 - 38$			ns
		$1.8\text{ V} \leq EV_{DD0} \leq 3.6\text{ V}$	$t_{CY1}/2 - 50$			ns
		$1.6\text{ V} \leq EV_{DD0} \leq 3.6\text{ V}$	$t_{CY1}/2 - 100$			ns
Slp setup time (to $\overline{SCKp}\uparrow$) ^{Note 2}	t_{SIK1}	$2.7\text{ V} \leq EV_{DD0} \leq 3.6\text{ V}$	38			ns
		$2.4\text{ V} \leq EV_{DD0} \leq 3.6\text{ V}$	75			ns
		$1.8\text{ V} \leq EV_{DD0} \leq 3.6\text{ V}$	150			ns
		$1.6\text{ V} \leq EV_{DD0} \leq 3.6\text{ V}$	300			ns
Slp hold time (from $\overline{SCKp}\uparrow$) ^{Note 3}	t_{SH1}		19			ns
Delay time from $\overline{SCKp}\downarrow$ to SOp output ^{Note 4}	t_{SO1}	$C = 30\text{ pF}$ ^{Note 5}			25	ns

Notes 1. The value must also be $4/f_{CLK}$ or more.

2. When $DAPmn = 0$ and $CKPmn = 0$, or $DAPmn = 1$ and $CKPmn = 1$. The Slp setup time becomes “to $\overline{SCKp}\downarrow$ ” when $DAPmn = 0$ and $CKPmn = 1$, or $DAPmn = 1$ and $CKPmn = 0$.

3. When $DAPmn = 0$ and $CKPmn = 0$, or $DAPmn = 1$ and $CKPmn = 1$. The Slp hold time becomes “from $\overline{SCKp}\downarrow$ ” when $DAPmn = 0$ and $CKPmn = 1$, or $DAPmn = 1$ and $CKPmn = 0$.

4. When $DAPmn = 0$ and $CKPmn = 0$, or $DAPmn = 1$ and $CKPmn = 1$. The delay time to SOp output becomes “from $\overline{SCKp}\uparrow$ ” when $DAPmn = 0$ and $CKPmn = 1$, or $DAPmn = 1$ and $CKPmn = 0$.

5. C is the load capacitance of the \overline{SCKp} and SOp output lines.

Caution Select the normal input buffer for the Slp pin and the normal output mode for the SOp pin and \overline{SCKp} pin by using port input mode register g (PIMg) and port output mode register g (POMg).

Remarks 1. This specification is valid only when CSI00’s peripheral I/O redirect function is not used.

2. p: CSI number (p = 00, 01, 10, 11, 20, 21), m: Unit number (m = 0, 1), n: Channel number (n = 0 to 2), g: PIM and POM numbers (g = 0, 1)

3. f_{MCK} : Serial array unit operation clock frequency

(Operation clock to be set by the CKSmn bit of serial mode register mn (SMRmn). m: Unit number, n: Channel number (mn = 00 to 03, 10, 11))

Caution The pins mounted depend on the product. Refer to 1.3.1 25-pin products to 1.3.4 64-pin products.

(4) During communication at same potential (CSI mode) (slave mode, $\overline{\text{SCKp}}$... external clock input)
 ($T_A = -40$ to $+85^\circ\text{C}$, $1.6\text{ V} \leq \text{EV}_{\text{DD0}} \leq \text{V}_{\text{DD}} \leq 3.6\text{ V}$, $\text{V}_{\text{SS}} = \text{EV}_{\text{SS0}} = 0\text{ V}$)

Parameter	Symbol	Conditions	MIN.	TYP.	MAX.	Unit
$\overline{\text{SCKp}}$ cycle time ^{Note 5}	t_{KCY2}	$2.7\text{ V} \leq \text{EV}_{\text{DD0}} < 3.6\text{ V}$	$16\text{ MHz} < f_{\text{MCK}}$	$8/f_{\text{MCK}}$		ns
			$f_{\text{MCK}} \leq 16\text{ MHz}$	$6/f_{\text{MCK}}$		ns
		$1.8\text{ V} \leq \text{EV}_{\text{DD0}} < 2.7\text{ V}$	$16\text{ MHz} < f_{\text{MCK}}$	$8/f_{\text{MCK}}$		ns
			$f_{\text{MCK}} \leq 16\text{ MHz}$	$6/f_{\text{MCK}}$		ns
		$1.6\text{ V} \leq \text{EV}_{\text{DD0}} < 1.8\text{ V}$	$6/f_{\text{MCK}}$		ns	
$\overline{\text{SCKp}}$ high-/low-level width	t_{KH2} , t_{KL2}	$1.6\text{ V} \leq \text{EV}_{\text{DD0}} \leq 3.6\text{ V}$	$t_{\text{KCY2}}/2$			ns
Slp setup time (to $\overline{\text{SCKp}}\uparrow$) ^{Note 1}	t_{SIK2}	$2.7\text{ V} \leq \text{EV}_{\text{DD0}} \leq 3.6\text{ V}$	50			ns
		$1.8\text{ V} \leq \text{EV}_{\text{DD0}} < 2.7\text{ V}$	80			ns
		$1.6\text{ V} \leq \text{EV}_{\text{DD0}} < 1.8\text{ V}$	160			ns
Slp hold time (from $\overline{\text{SCKp}}\uparrow$) ^{Note 2}	t_{KS2}	$2.7\text{ V} \leq \text{EV}_{\text{DD0}} \leq 3.6\text{ V}$	$1/f_{\text{MCK}}+31$			ns
		$1.8\text{ V} \leq \text{EV}_{\text{DD0}} < 2.7\text{ V}$	$1/f_{\text{MCK}}+31$			ns
		$1.6\text{ V} \leq \text{EV}_{\text{DD0}} < 1.8\text{ V}$	$1/f_{\text{MCK}}+$ 250			ns
Delay time from $\overline{\text{SCKp}}\downarrow$ to SOp output ^{Note 3}	t_{KSO2}	$C = 30\text{ pF}$ ^{Note 4}	$2.7\text{ V} \leq \text{EV}_{\text{DD0}} < 3.6\text{ V}$		$2/f_{\text{MCK}}+44$	ns
			$2.4\text{ V} \leq \text{EV}_{\text{DD0}} < 2.7\text{ V}$		$2/f_{\text{MCK}}+75$	ns
			$1.8\text{ V} \leq \text{EV}_{\text{DD0}} < 2.4\text{ V}$		$2/f_{\text{MCK}}+110$	ns
			$1.6\text{ V} \leq \text{EV}_{\text{DD0}} < 1.8\text{ V}$		$2/f_{\text{MCK}}+220$	ns

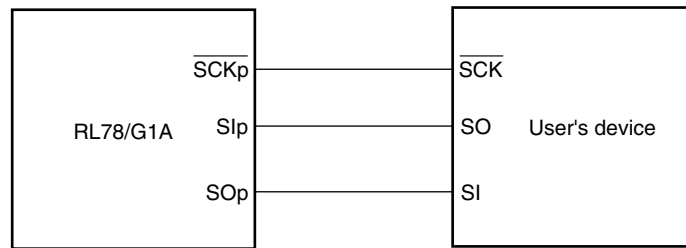
- Notes**
- When $\text{DAP}_{\text{mn}} = 0$ and $\text{CKP}_{\text{mn}} = 0$, or $\text{DAP}_{\text{mn}} = 1$ and $\text{CKP}_{\text{mn}} = 1$. The Slp setup time becomes “to $\overline{\text{SCKp}}\downarrow$ ” when $\text{DAP}_{\text{mn}} = 0$ and $\text{CKP}_{\text{mn}} = 1$, or $\text{DAP}_{\text{mn}} = 1$ and $\text{CKP}_{\text{mn}} = 0$.
 - When $\text{DAP}_{\text{mn}} = 0$ and $\text{CKP}_{\text{mn}} = 0$, or $\text{DAP}_{\text{mn}} = 1$ and $\text{CKP}_{\text{mn}} = 1$. The Slp hold time becomes “from $\overline{\text{SCKp}}\downarrow$ ” when $\text{DAP}_{\text{mn}} = 0$ and $\text{CKP}_{\text{mn}} = 1$, or $\text{DAP}_{\text{mn}} = 1$ and $\text{CKP}_{\text{mn}} = 0$.
 - When $\text{DAP}_{\text{mn}} = 0$ and $\text{CKP}_{\text{mn}} = 0$, or $\text{DAP}_{\text{mn}} = 1$ and $\text{CKP}_{\text{mn}} = 1$. The delay time to SOp output becomes “from $\overline{\text{SCKp}}\uparrow$ ” when $\text{DAP}_{\text{mn}} = 0$ and $\text{CKP}_{\text{mn}} = 1$, or $\text{DAP}_{\text{mn}} = 1$ and $\text{CKP}_{\text{mn}} = 0$.
 - C is the load capacitance of the SOp output lines.
 - Transfer rate in the SNOOZE mode : MAX. 1 Mbps

Caution Select the TTL input buffer for the Slp pin and $\overline{\text{SCKp}}$ pin and the normal output mode for the SOp pin by using port input mode register g (PIMg) and port output mode register g (POMg).

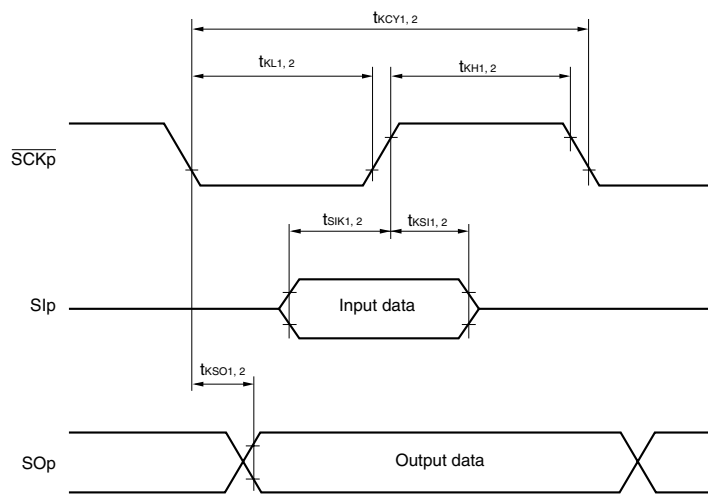
- Remarks**
- p : CSI number ($p = 00, 01, 10, 11, 20, 21$), m : Unit number ($m = 0, 1$), n : Channel number ($n = 0$ to 2),
 g : PIM number ($g = 0, 1$)
 - f_{MCK} : Serial array unit operation clock frequency
 (Operation clock to be set by the CKSmn bit of serial mode register mn (SMRmn). m : Unit number,
 n : Channel number ($mn = 00$ to $03, 10, 11$))

Caution The pins mounted depend on the product. Refer to 1.3.1 25-pin products to 1.3.4 64-pin products.

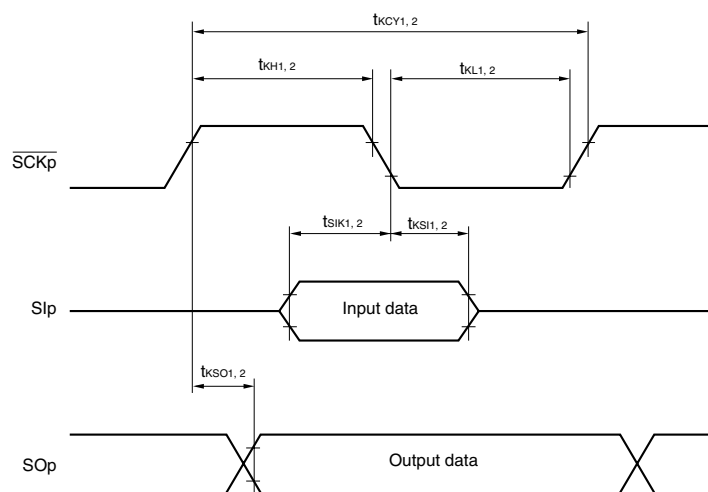
CSI mode connection diagram (during communication at same potential)



**CSI mode serial transfer timing (during communication at same potential)
(When DAPmn = 0 and CKPmn = 0, or DAPmn = 1 and CKPmn = 1.)**



**CSI mode serial transfer timing (during communication at same potential)
(When DAPmn = 0 and CKPmn = 1, or DAPmn = 1 and CKPmn = 0.)**



- Remarks**
1. p: CSI number (p = 00, 01, 10, 11, 20, 21)
 2. m: Unit number, n: Channel number (mn = 00 to 03, 10, 11)

Caution The pins mounted depend on the product. Refer to 1.3.1 25-pin products to 1.3.4 64-pin products.

(5) During communication at same potential (simplified I²C mode)

(T_A = -40 to +85°C, 1.6 V ≤ EV_{DD0} ≤ V_{DD} ≤ 3.6 V, V_{SS} = EV_{SS0} = 0 V)

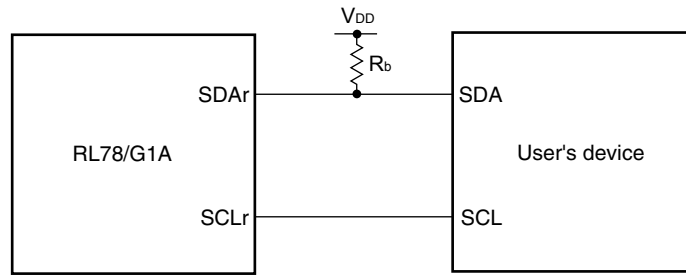
Parameter	Symbol	Conditions	MIN.	MAX.	Unit
SCLr clock frequency	f _{SCL}	2.7 V ≤ EV _{DD0} ≤ 3.6 V, C _b = 50 pF, R _b = 2.7 kΩ		1000	kHz
		1.8 V ≤ EV _{DD0} ≤ 3.6 V, C _b = 100 pF, R _b = 3 kΩ		400	kHz
		1.8 V ≤ EV _{DD0} < 2.7 V, C _b = 100 pF, R _b = 5 kΩ		300	kHz
		1.6 V ≤ EV _{DD0} < 1.8 V, C _b = 100 pF, R _b = 5 kΩ		250	kHz
Hold time when SCLr = "L"	t _{LOW}	2.7 V ≤ EV _{DD0} ≤ 3.6 V, C _b = 50 pF, R _b = 2.7 kΩ	475		ns
		1.8 V ≤ EV _{DD0} ≤ 3.6 V, C _b = 100 pF, R _b = 3 kΩ	1150		ns
		1.8 V ≤ EV _{DD0} < 2.7 V, C _b = 100 pF, R _b = 5 kΩ	1550		ns
		1.6 V ≤ EV _{DD0} < 1.8 V, C _b = 100 pF, R _b = 5 kΩ	1850		ns
Hold time when SCLr = "H"	t _{HIGH}	2.7 V ≤ EV _{DD0} ≤ 3.6 V, C _b = 50 pF, R _b = 2.7 kΩ	475		ns
		1.8 V ≤ EV _{DD0} ≤ 3.6 V, C _b = 100 pF, R _b = 3 kΩ	1150		ns
		1.8 V ≤ EV _{DD0} < 2.7 V, C _b = 100 pF, R _b = 5 kΩ	1550		ns
		1.6 V ≤ EV _{DD0} < 1.8 V, C _b = 100 pF, R _b = 5 kΩ	1850		ns
Data setup time (reception)	t _{SU:DAT}	2.7 V ≤ EV _{DD0} ≤ 3.6 V, C _b = 50 pF, R _b = 2.7 kΩ	1/f _{MCK} + 85 <small>Note</small>		ns
		1.8 V ≤ EV _{DD0} ≤ 3.6 V, C _b = 100 pF, R _b = 3 kΩ	1/f _{MCK} + 145 <small>Note</small>		ns
		1.8 V ≤ EV _{DD0} < 2.7 V, C _b = 100 pF, R _b = 5 kΩ	1/f _{MCK} + 230 <small>Note</small>		ns
		1.6 V ≤ EV _{DD0} < 1.8 V, C _b = 100 pF, R _b = 5 kΩ	1/f _{MCK} + 290 <small>Note</small>		ns
Data hold time (transmission)	t _{HD:DAT}	2.7 V ≤ EV _{DD0} ≤ 3.6 V, C _b = 50 pF, R _b = 2.7 kΩ	0	305	ns
		1.8 V ≤ EV _{DD0} ≤ 3.6 V, C _b = 100 pF, R _b = 3 kΩ	0	355	ns
		1.8 V ≤ EV _{DD0} < 2.7 V, C _b = 100 pF, R _b = 5 kΩ	0	405	ns
		1.6 V ≤ EV _{DD0} < 1.8 V, C _b = 100 pF, R _b = 5 kΩ	0	405	ns

Note Set the f_{MCK} value to keep the hold time of SCLr = "L" and SCLr = "H".

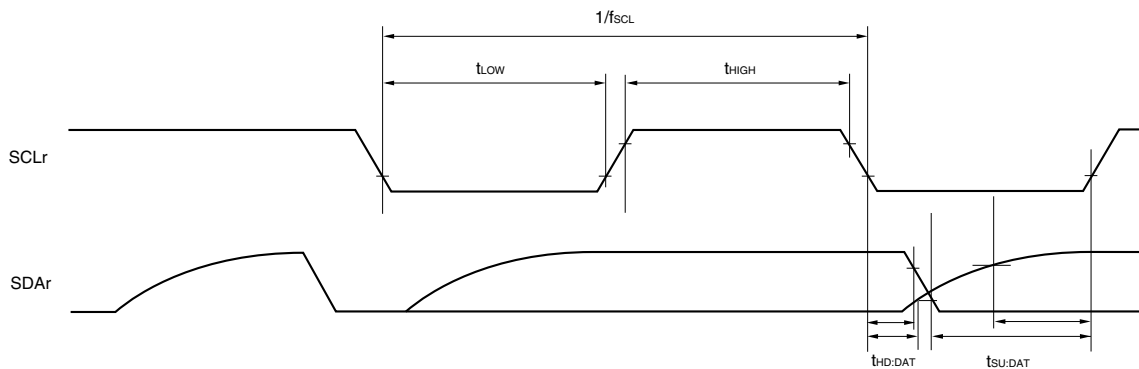
(**Caution** and **Remarks** are listed on the next page.)

Caution The pins mounted depend on the product. Refer to 1.3.1 25-pin products to 1.3.4 64-pin products.

Simplified I²C mode mode connection diagram (during communication at same potential)



Simplified I²C mode serial transfer timing (during communication at same potential)



Caution Select the TTL input buffer and the N-ch open drain output (V_{DD} tolerance) mode for the SDAr pin and the normal output mode for the SCLr pin by using port input mode register g (PIMg) and port output mode register h (POMh).

- Remarks**
1. R_b[Ω]: Communication line (SDAr) pull-up resistance, C_b[F]: Communication line (SDAr, SCLr) load capacitance
 2. r: IIC number (r = 00, 01, 10, 11, 20, 21), g: PIM number (g = 0, 1), h: POM number (h = 0, 1)
 3. f_{MCK}: Serial array unit operation clock frequency
 (Operation clock to be set by the CKSmn bit of serial mode register mn (SMRmn). m: Unit number (m = 0, 1), n: Channel number (n = 0 to 3), mn = 00 to 03, 10, 11)

Caution The pins mounted depend on the product. Refer to 1.3.1 25-pin products to 1.3.4 64-pin products.

(6) Communication at different potential (2.5 V) (UART mode) (dedicated baud rate generator output) (1/2)
($T_A = -40$ to $+85^\circ\text{C}$, $1.8\text{ V} \leq EV_{DD0} \leq V_{DD} \leq 3.6\text{ V}$, $V_{SS} = EV_{SS0} = 0\text{ V}$)

Parameter	Symbol	Conditions		MIN.	TYP.	MAX.	Unit	
Transfer rate		reception	$2.7\text{ V} \leq EV_{DD0} < 3.6\text{ V}$,			$f_{MCK}/6$ ^{Note 1}	bps	
			$2.3\text{ V} \leq V_b \leq 2.7\text{ V}$	Theoretical value of the maximum transfer rate $f_{CLK} = 32\text{ MHz}$, $f_{MCK} = f_{CLK}$			5.3	Mbps
			$1.8\text{ V} \leq EV_{DD0} < 3.3\text{ V}$,				$f_{MCK}/6$ Notes 1 to 3	bps
			$1.6\text{ V} \leq V_b \leq 2.0\text{ V}$	Theoretical value of the maximum transfer rate $f_{CLK} = 8\text{ MHz}$, $f_{MCK} = f_{CLK}$			1.3	Mbps

- Notes**
- Transfer rate in the SNOOZE mode : MAX. 9600 bps, MIN. 4800 bps
 - Use it with $EV_{DD0} \geq V_b$.
 - The following conditions are required for low voltage interface when $EV_{DD0} < V_{DD}$.
 $2.4\text{ V} \leq EV_{DD0} < 2.7\text{ V}$: MAX. 2.6 Mbps
 $1.8\text{ V} \leq EV_{DD0} < 2.4\text{ V}$: MAX. 1.3 Mbps
 $1.6\text{ V} \leq EV_{DD0} < 1.8\text{ V}$: MAX. 0.6 Mbps

Caution Select the TTL input buffer for the RxDq pin and the N-ch open drain output (V_{DD} tolerance) mode for the TxDq pin by using port input mode register g (PIMg) and port output mode register g (POMg).

- Remarks**
- $V_b[V]$: Communication line voltage
 - q: UART number (q = 0 to 2), g: PIM and POM number (g = 0, 1)
 - f_{MCK} : Serial array unit operation clock frequency
 (Operation clock to be set by the CKSmn bit of serial mode register mn (SMRmn). m: Unit number, n: Channel number (mn = 00 to 03, 10, 11))
 - V_{IH} and V_{IL} below are observation points for the AC characteristics of the serial array unit when communicating at different potentials in UART mode.
 $2.7\text{ V} \leq EV_{DD0} < 3.6\text{ V}$, $2.3\text{ V} \leq V_b \leq 2.7\text{ V}$: $V_{IH} = 2.0\text{ V}$, $V_{IL} = 0.5\text{ V}$
 $1.8\text{ V} \leq EV_{DD0} < 3.3\text{ V}$, $1.6\text{ V} \leq V_b \leq 2.0\text{ V}$: $V_{IH} = 1.5\text{ V}$, $V_{IL} = 0.32\text{ V}$
 - UART2 cannot communicate at different potential when bit 1 (PIOR1) of peripheral I/O redirection register (PIOR) is 1.

Caution The pins mounted depend on the product. Refer to 1.3.1 25-pin products to 1.3.4 64-pin products.

(6) Communication at different potential (2.5 V) (UART mode) (dedicated baud rate generator output) (2/2)
($T_A = -40$ to $+85^\circ\text{C}$, $1.8\text{ V} \leq EV_{DD0} \leq V_{DD} \leq 3.6\text{ V}$, $V_{SS} = EV_{SS0} = 0\text{ V}$)

Parameter	Symbol	Conditions		MIN.	TYP.	MAX.	Unit
Transfer rate		transmission	$2.7\text{ V} \leq EV_{DD0} < 3.6\text{ V}$, $2.3\text{ V} \leq V_b \leq 2.7\text{ V}$			Notes 1, 2	bps
			Theoretical value of the maximum transfer rate $C_b = 50\text{ pF}$, $R_b = 2.7\text{ k}\Omega$, $V_b = 2.3\text{ V}$			1.2 <small>Note 5</small>	Mbps
			$1.8\text{ V} \leq EV_{DD0} < 3.3\text{ V}$, $1.6\text{ V} \leq V_b \leq 2.0\text{ V}$			Notes 1, 4, 5	bps
			Theoretical value of the maximum transfer rate $C_b = 50\text{ pF}$, $R_b = 5.5\text{ k}\Omega$, $V_b = 1.6\text{ V}$			0.43 <small>Note 6</small>	Mbps

- Notes**
- Transfer rate in the SNOOZE mode : MAX. 9600 bps, MIN. 4800 bps
 - The smaller maximum transfer rate derived by using $f_{MCK}/6$ or the following expression is the valid maximum transfer rate.
 Expression for calculating the transfer rate when $2.7\text{ V} \leq EV_{DD0} < 3.6\text{ V}$ and $2.3\text{ V} \leq V_b \leq 2.7\text{ V}$

$$\text{Maximum transfer rate} = \frac{1}{\{-C_b \times R_b \times \ln(1 - \frac{2.0}{V_b})\} \times 3} \quad [\text{bps}]$$

$$\text{Baud rate error (theoretical value)} = \frac{\frac{1}{\text{Transfer rate} \times 2} - \{-C_b \times R_b \times \ln(1 - \frac{2.0}{V_b})\}}{(\frac{1}{\text{Transfer rate}}) \times \text{Number of transferred bits}} \times 100 [\%]$$

- * This value is the theoretical value of the relative difference between the transmission and reception sides.
- 3. This value as an example is calculated when the conditions described in the "Conditions" column are met. Refer to Note 2 above to calculate the maximum transfer rate under conditions of the customer.
- 4. Use it with $EV_{DD0} \geq V_b$.
- 5. The smaller maximum transfer rate derived by using $f_{MCK}/6$ or the following expression is the valid maximum transfer rate.
 Expression for calculating the transfer rate when $1.8\text{ V} \leq EV_{DD0} < 3.3\text{ V}$ and $1.6\text{ V} \leq V_b \leq 2.0\text{ V}$

$$\text{Maximum transfer rate} = \frac{1}{\{-C_b \times R_b \times \ln(1 - \frac{1.5}{V_b})\} \times 3} \quad [\text{bps}]$$

$$\text{Baud rate error (theoretical value)} = \frac{\frac{1}{\text{Transfer rate} \times 2} - \{-C_b \times R_b \times \ln(1 - \frac{1.5}{V_b})\}}{(\frac{1}{\text{Transfer rate}}) \times \text{Number of transferred bits}} \times 100 [\%]$$

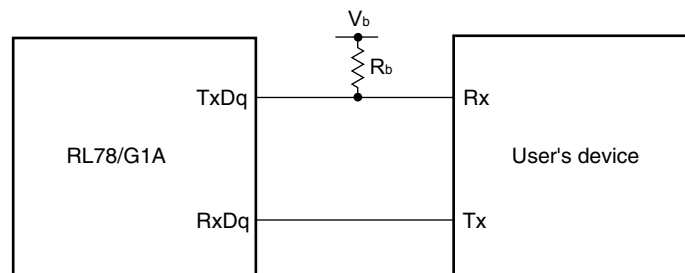
- * This value is the theoretical value of the relative difference between the transmission and reception sides.
- 6. This value as an example is calculated when the conditions described in the "Conditions" column are met. Refer to Note 7 above to calculate the maximum transfer rate under conditions of the customer.

Caution The pins mounted depend on the product. Refer to 1.3.1 25-pin products to 1.3.4 64-pin products.

Caution Select the TTL input buffer for the RxDq pin and the N-ch open drain output (V_{DD} tolerance) mode for the TxDq pin by using port input mode register g (PIMg) and port output mode register g (POMg).

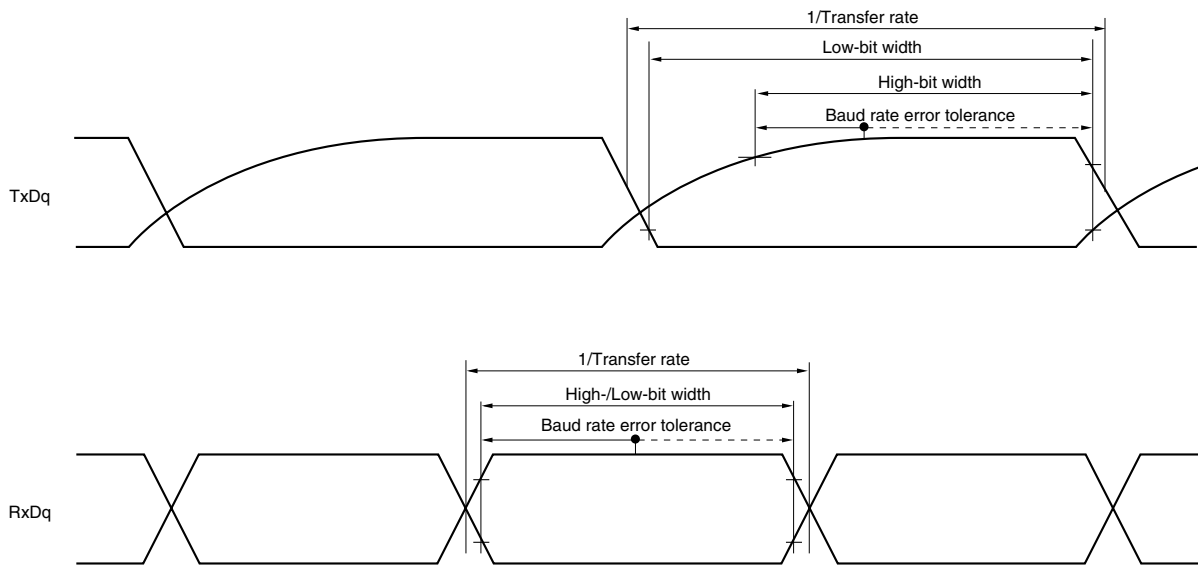
- Remarks**
1. $R_b[\Omega]$: Communication line (TxDq) pull-up resistance,
 $C_b[F]$: Communication line (TxDq) load capacitance, $V_b[V]$: Communication line voltage
 2. q: UART number (q = 0 to 2), g: PIM and POM number (g = 0, 1)
 3. f_{MCK} : Serial array unit operation clock frequency
(Operation clock to be set by the CKSmn bit of serial mode register mn (SMRmn).
m: Unit number, n: Channel number (mn = 00 to 03, 10, 11))
 4. V_{IH} and V_{IL} below are observation points for the AC characteristics of the serial array unit when communicating at different potentials in UART mode.
 $2.7\text{ V} \leq EV_{DD0} < 3.6\text{ V}$, $2.3\text{ V} \leq V_b \leq 2.7\text{ V}$: $V_{IH} = 2.0\text{ V}$, $V_{IL} = 0.5\text{ V}$
 $1.8\text{ V} \leq EV_{DD0} < 3.3\text{ V}$, $1.6\text{ V} \leq V_b \leq 2.0\text{ V}$: $V_{IH} = 1.5\text{ V}$, $V_{IL} = 0.32\text{ V}$
 5. UART2 cannot communicate at different potential when bit 1 (PIOR1) of peripheral I/O redirection register (PIOR) is 1.

UART mode connection diagram (during communication at different potential)



Caution The pins mounted depend on the product. Refer to 1.3.1 25-pin products to 1.3.4 64-pin products.

UART mode bit width (during communication at different potential) (reference)



Caution Select the TTL input buffer for the RxDq pin and the N-ch open drain output (V_{DD} tolerance) mode for the TxDq pin by using port input mode register g (PIMg) and port output mode register g (POMg).

- Remarks**
1. UART2 cannot communicate at different potential when bit 1 (PIOR1) of peripheral I/O redirection register (PIOR) is 1.
 2. $R_b[\Omega]$: Communication line (TxDq) pull-up resistance, $V_b[V]$: Communication line voltage
 3. q: UART number (q = 0 to 2), g: PIM and POM number (g = 0, 1)

Caution The pins mounted depend on the product. Refer to 1.3.1 25-pin products to 1.3.4 64-pin products.

(7) Communication at different potential (2.5 V) ($f_{mck}/2$) (CSI mode) (master mode, \overline{SCKp} ... internal clock output)

($T_A = -40$ to $+85^\circ\text{C}$, $2.7\text{ V} \leq EV_{DD0} \leq V_{DD} \leq 3.6\text{ V}$, $V_{SS} = EV_{SS0} = 0\text{ V}$)

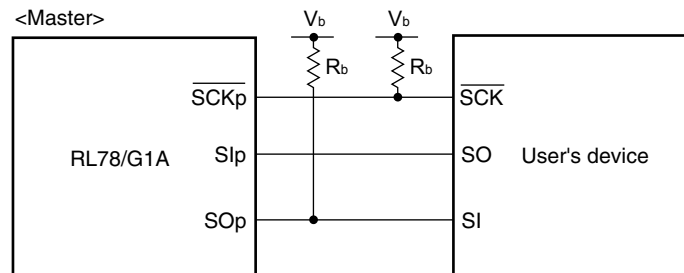
Parameter	Symbol	Conditions	MIN.	TYP.	MAX.	Unit
\overline{SCKp} cycle time	t_{KCY1}	$2.7\text{ V} \leq EV_{DD0} < 3.6\text{ V}$, $2.3\text{ V} \leq V_b \leq 2.7\text{ V}$, $C_b = 20\text{ pF}$, $R_b = 2.7\text{ k}\Omega$	300 ^{Note 1}			ns
\overline{SCKp} high-level width	t_{KH1}	$2.7\text{ V} \leq EV_{DD0} < 3.6\text{ V}$, $2.3\text{ V} \leq V_b \leq 2.7\text{ V}$, $C_b = 20\text{ pF}$, $R_b = 2.7\text{ k}\Omega$	$t_{KCY1}/2 - 120$			ns
\overline{SCKp} low-level width	t_{KL1}	$2.7\text{ V} \leq EV_{DD0} < 3.6\text{ V}$, $2.3\text{ V} \leq V_b \leq 2.7\text{ V}$, $C_b = 20\text{ pF}$, $R_b = 2.7\text{ k}\Omega$	$t_{KCY1}/2 - 10$			ns
Slp setup time (to $\overline{SCKp}\uparrow$) ^{Note 2}	t_{SIK1}	$2.7\text{ V} \leq EV_{DD0} < 3.6\text{ V}$, $2.3\text{ V} \leq V_b \leq 2.7\text{ V}$, $C_b = 20\text{ pF}$, $R_b = 2.7\text{ k}\Omega$	121			ns
Slp hold time (from $\overline{SCKp}\uparrow$) ^{Note 2}	t_{SI1}	$2.7\text{ V} \leq EV_{DD0} < 3.6\text{ V}$, $2.3\text{ V} \leq V_b \leq 2.7\text{ V}$, $C_b = 20\text{ pF}$, $R_b = 2.7\text{ k}\Omega$	10			ns
Delay time from $\overline{SCKp}\downarrow$ to SO _p output ^{Note 2}	t_{KSO1}	$2.7\text{ V} \leq EV_{DD0} < 3.6\text{ V}$, $2.3\text{ V} \leq V_b \leq 2.7\text{ V}$, $C_b = 20\text{ pF}$, $R_b = 2.7\text{ k}\Omega$			130	ns
Slp setup time (to $\overline{SCKp}\downarrow$) ^{Note 3}	t_{SIK1}	$2.7\text{ V} \leq EV_{DD0} < 3.6\text{ V}$, $2.3\text{ V} \leq V_b \leq 2.7\text{ V}$, $C_b = 20\text{ pF}$, $R_b = 2.7\text{ k}\Omega$	33			ns
Slp hold time (from $\overline{SCKp}\downarrow$) ^{Note 3}	t_{SI1}	$2.7\text{ V} \leq EV_{DD0} < 3.6\text{ V}$, $2.3\text{ V} \leq V_b \leq 2.7\text{ V}$, $C_b = 20\text{ pF}$, $R_b = 2.7\text{ k}\Omega$	10			ns
Delay time from $\overline{SCKp}\uparrow$ to SO _p output ^{Note 3}	t_{KSO1}	$2.7\text{ V} \leq EV_{DD0} < 3.6\text{ V}$, $2.3\text{ V} \leq V_b \leq 2.7\text{ V}$, $C_b = 20\text{ pF}$, $R_b = 2.7\text{ k}\Omega$			10	ns

- Notes**
- The value must also be $2/f_{CLK}$ or more.
 - When $DAPmn = 0$ and $CKPmn = 0$, or $DAPmn = 1$ and $CKPmn = 1$.
 - When $DAPmn = 0$ and $CKPmn = 1$, or $DAPmn = 1$ and $CKPmn = 0$.

(**Caution** and **Remark** are listed on the next page.)

Caution The pins mounted depend on the product. Refer to 1.3.1 25-pin products to 1.3.4 64-pin products.

CSI mode connection diagram (during communication at different potential)



Caution Select the TTL input buffer for the Slp pin and the N-ch open drain output (V_{DD} tolerance) mode for the SOp pin and \overline{SCKp} pin by using port input mode register g (PIMg) and port output mode register g (POMg).

- Remarks**
1. $R_b[\Omega]$: Communication line (\overline{SCKp} , SOp) pull-up resistance, $C_b[F]$: Communication line (\overline{SCKp} , SOp) load capacitance, $V_b[V]$: Communication line voltage
 2. p: CSI number (p = 00), m: Unit number (m = 0), n: Channel number (n = 0), g: PIM and POM number (g = 1)
 3. V_{IH} and V_{IL} below are observation points for the AC characteristics of the serial array unit when communicating at different potentials in CSI mode.
 $2.7\text{ V} \leq EV_{DD0} < 3.6\text{ V}$, $2.3\text{ V} \leq V_b \leq 2.7\text{ V}$: $V_{IH} = 2.0\text{ V}$, $V_{IL} = 0.5\text{ V}$
 4. f_{MCK} : Serial array unit operation clock frequency
 (Operation clock to be set by the CKSmn bit of serial mode register mn (SMRmn). m: Unit number, n: Channel number (mn = 00))

Caution The pins mounted depend on the product. Refer to 1.3.1 25-pin products to 1.3.4 64-pin products.

(8) Communication at different potential (2.5 V) (f_{MCK/4}) (CSI mode) (master mode, $\overline{\text{SCKp}}$... internal clock output) (1/2)

(T_A = -40 to +85°C, 1.8 V ≤ EV_{DD0} ≤ V_{DD} ≤ 3.6 V, V_{SS} = EV_{SS0} = 0 V)

Parameter	Symbol	Conditions	MIN.	TYP.	MAX.	Unit
$\overline{\text{SCKp}}$ cycle time	t _{KCY1}	2.7 V ≤ EV _{DD0} < 3.6 V, 2.3 V ≤ V _b ≤ 2.7 V, C _b = 30 pF, R _b = 2.7 kΩ	500 ^{Note}			ns
		1.8 V ≤ EV _{DD0} < 3.3 V, 1.6 V ≤ V _b ≤ 2.0 V, C _b = 30 pF, R _b = 5.5 kΩ	1150 ^{Note}			ns
$\overline{\text{SCKp}}$ high-level width	t _{KH1}	2.7 V ≤ EV _{DD0} < 3.6 V, 2.3 V ≤ V _b ≤ 2.7 V, C _b = 30 pF, R _b = 2.7 kΩ	t _{KCY1} /2 – 170			ns
		1.8 V ≤ EV _{DD0} < 3.3 V, 1.6 V ≤ V _b ≤ 2.0 V, C _b = 30 pF, R _b = 5.5 kΩ	t _{KCY1} /2 – 458			ns
$\overline{\text{SCKp}}$ low-level width	t _{KL1}	2.7 V ≤ EV _{DD0} < 3.6 V, 2.3 V ≤ V _b ≤ 2.7 V, C _b = 30 pF, R _b = 2.7 kΩ	t _{KCY1} /2 – 18			ns
		1.8 V ≤ EV _{DD0} < 3.3 V, 1.6 V ≤ V _b ≤ 2.0 V, C _b = 30 pF, R _b = 5.5 kΩ	t _{KCY1} /2 – 50			ns

Note The value must also be 4/f_{CLK} or more.

Cautions 1. Select the TTL input buffer for the Slp pin and the N-ch open drain output (V_{DD} tolerance) mode for the SOp pin and $\overline{\text{SCKp}}$ pin by using port input mode register g (PIMg) and port output mode register g (POMg).

2. Use it with EV_{DD0} ≥ V_b.

Remarks 1. R_b[Ω]: Communication line ($\overline{\text{SCKp}}$, SOp) pull-up resistance, C_b[F]: Communication line ($\overline{\text{SCKp}}$, SOp) load capacitance, V_b[V]: Communication line voltage

2. p: CSI number (p = 00, 01, 10, 20), m: Unit number, n: Channel number (mn = 00, 01, 02, 10), g: PIM and POM number (g = 0, 1)

3. V_{IH} and V_{IL} below are observation points for the AC characteristics of the serial array unit when communicating at different potentials in CSI mode.

$$2.7 \text{ V} \leq \text{EV}_{\text{DD0}} < 3.6 \text{ V}, 2.3 \text{ V} \leq V_b \leq 2.7 \text{ V}: V_{\text{IH}} = 2.0 \text{ V}, V_{\text{IL}} = 0.5 \text{ V}$$

$$1.8 \text{ V} \leq \text{EV}_{\text{DD0}} < 3.3 \text{ V}, 1.6 \text{ V} \leq V_b \leq 2.0 \text{ V}: V_{\text{IH}} = 1.5 \text{ V}, V_{\text{IL}} = 0.32 \text{ V}$$

4. CSI01, CSI11 and CSI21 cannot communicate at different potential. Use other CSI for communication at different potential.

Caution The pins mounted depend on the product. Refer to 1.3.1 25-pin products to 1.3.4 64-pin products.

(8) Communication at different potential (2.5 V) ($f_{MCK}/4$) (CSI mode) (master mode, \overline{SCKp} ... internal clock output) (2/2)

($T_A = -40$ to $+85^\circ\text{C}$, $1.8\text{ V} \leq EV_{DD0} \leq V_{DD} \leq 3.6\text{ V}$, $V_{SS} = EV_{SS0} = 0\text{ V}$)

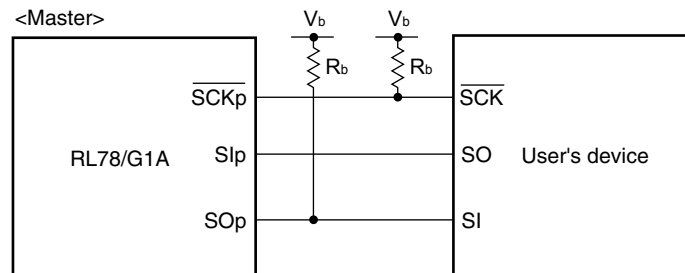
Parameter	Symbol	Conditions	MIN.	TYP.	MAX.	Unit
Slp setup time (to $\overline{SCKp}\uparrow$) ^{Note 1}	t_{SIK1}	$2.7\text{ V} \leq EV_{DD0} < 3.6\text{ V}$, $2.3\text{ V} \leq V_b \leq 2.7\text{ V}$, $C_b = 30\text{ pF}$, $R_b = 2.7\text{ k}\Omega$	177			ns
		$1.8\text{ V} \leq EV_{DD0} < 3.3\text{ V}$, $1.6\text{ V} \leq V_b \leq 2.0\text{ V}$, $C_b = 30\text{ pF}$, $R_b = 5.5\text{ k}\Omega$	479			ns
Slp hold time (from $\overline{SCKp}\uparrow$) ^{Note 1}	t_{KSI1}	$2.7\text{ V} \leq EV_{DD0} < 3.6\text{ V}$, $2.3\text{ V} \leq V_b \leq 2.7\text{ V}$, $C_b = 30\text{ pF}$, $R_b = 2.7\text{ k}\Omega$	19			ns
		$1.8\text{ V} \leq EV_{DD0} < 3.3\text{ V}$, $1.6\text{ V} \leq V_b \leq 2.0\text{ V}$, $C_b = 30\text{ pF}$, $R_b = 5.5\text{ k}\Omega$	19			ns
Delay time from $\overline{SCKp}\downarrow$ to SOP output ^{Note 1}	t_{KSO1}	$2.7\text{ V} \leq EV_{DD0} < 3.6\text{ V}$, $2.3\text{ V} \leq V_b \leq 2.7\text{ V}$, $C_b = 30\text{ pF}$, $R_b = 2.7\text{ k}\Omega$			195	ns
		$1.8\text{ V} \leq EV_{DD0} < 3.3\text{ V}$, $1.6\text{ V} \leq V_b \leq 2.0\text{ V}$, $C_b = 30\text{ pF}$, $R_b = 5.5\text{ k}\Omega$			483	ns
Slp setup time (to $\overline{SCKp}\downarrow$) ^{Note 2}	t_{SIK1}	$2.7\text{ V} \leq EV_{DD0} < 3.6\text{ V}$, $2.3\text{ V} \leq V_b \leq 2.7\text{ V}$, $C_b = 30\text{ pF}$, $R_b = 2.7\text{ k}\Omega$	44			ns
		$1.8\text{ V} \leq EV_{DD0} < 3.3\text{ V}$, $1.6\text{ V} \leq V_b \leq 2.0\text{ V}$, $C_b = 30\text{ pF}$, $R_b = 5.5\text{ k}\Omega$	110			ns
Slp hold time (from $\overline{SCKp}\downarrow$) ^{Note 2}	t_{KSI1}	$2.7\text{ V} \leq EV_{DD0} < 3.6\text{ V}$, $2.3\text{ V} \leq V_b \leq 2.7\text{ V}$, $C_b = 30\text{ pF}$, $R_b = 2.7\text{ k}\Omega$	19			ns
		$1.8\text{ V} \leq EV_{DD0} < 3.3\text{ V}$, $1.6\text{ V} \leq V_b \leq 2.0\text{ V}$, $C_b = 30\text{ pF}$, $R_b = 5.5\text{ k}\Omega$	19			ns
Delay time from $\overline{SCKp}\uparrow$ to SOP output ^{Note 2}	t_{KSO1}	$2.7\text{ V} \leq EV_{DD0} < 3.6\text{ V}$, $2.3\text{ V} \leq V_b \leq 2.7\text{ V}$, $C_b = 30\text{ pF}$, $R_b = 2.7\text{ k}\Omega$			25	ns
		$1.8\text{ V} \leq EV_{DD0} < 3.3\text{ V}$, $1.6\text{ V} \leq V_b \leq 2.0\text{ V}$, $C_b = 30\text{ pF}$, $R_b = 5.5\text{ k}\Omega$			25	ns

- Notes** 1. When $DAPmn = 0$ and $CKPmn = 0$, or $DAPmn = 1$ and $CKPmn = 1$.
 2. When $DAPmn = 0$ and $CKPmn = 1$, or $DAPmn = 1$ and $CKPmn = 0$.

(Cautions and Remarks are listed on the next page.)

Caution The pins mounted depend on the product. Refer to 1.3.1 25-pin products to 1.3.4 64-pin products.

CSI mode connection diagram (during communication at different potential)



Cautions

1. Select the TTL input buffer for the Slp pin and the N-ch open drain output (V_{DD} tolerance) mode for the SOp pin and \overline{SCKp} pin by using port input mode register g (PIMg) and port output mode register g (POMg).
2. Use it with $EV_{DD0} \geq V_b$.

Remarks

1. $R_b[\Omega]$: Communication line (\overline{SCKp} , SOp) pull-up resistance, $C_b[F]$: Communication line (\overline{SCKp} , SOp) load capacitance, $V_b[V]$: Communication line voltage

2. p: CSI number (p = 00, 01, 10, 20), m: Unit number, n: Channel number (mn = 00, 01, 02, 10), g: PIM and POM number (g = 0, 1)

3. V_{IH} and V_{IL} below are observation points for the AC characteristics of the serial array unit when communicating at different potentials in CSI mode.

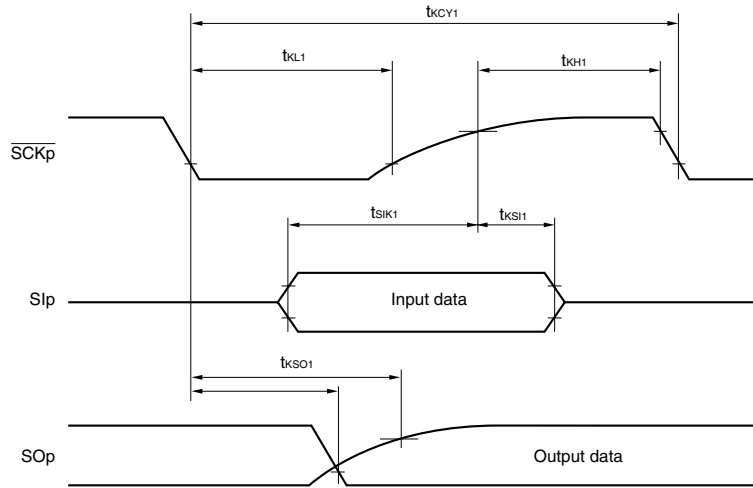
$$2.7 \text{ V} \leq EV_{DD0} < 3.6 \text{ V}, 2.3 \text{ V} \leq V_b \leq 2.7 \text{ V}: V_{IH} = 2.0 \text{ V}, V_{IL} = 0.5 \text{ V}$$

$$1.8 \text{ V} \leq EV_{DD0} < 3.3 \text{ V}, 1.6 \text{ V} \leq V_b \leq 2.0 \text{ V}: V_{IH} = 1.5 \text{ V}, V_{IL} = 0.32 \text{ V}$$

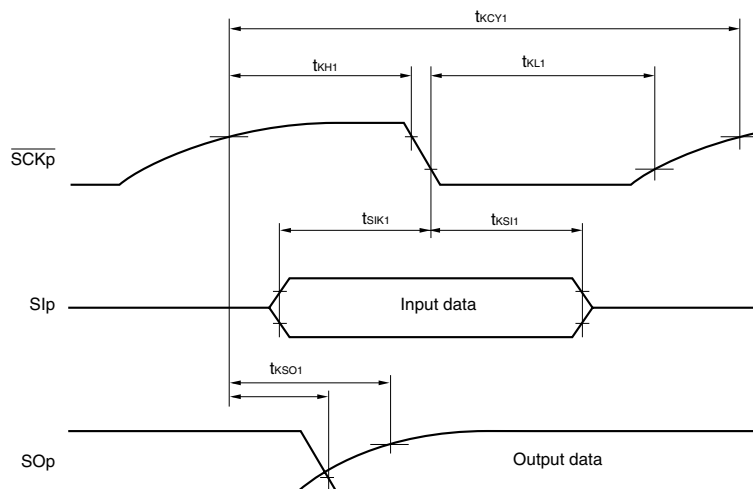
4. CSI01, CSI11 and CSI21 cannot communicate at different potential. Use other CSI for communication at different potential.

Caution The pins mounted depend on the product. Refer to 1.3.1 25-pin products to 1.3.4 64-pin products.

**CSI mode serial transfer timing (master mode) (during communication at different potential)
 (When DAPmn = 0 and CKPmn = 0, or DAPmn = 1 and CKPmn = 1.)**



**CSI mode serial transfer timing (master mode) (during communication at different potential)
 (When DAPmn = 0 and CKPmn = 1, or DAPmn = 1 and CKPmn = 0.)**



Caution Select the TTL input buffer for the Slp pin and the N-ch open drain output (V_{DD} tolerance) mode for the SOp pin and \overline{SCKp} pin by using port input mode register g (PIMg) and port output mode register g (POMg).

- Remarks**
1. p: CSI number (p = 00, 01, 10, 20), m: Unit number, n: Channel number (m = 00, 01, 02, 10), g: PIM and POM number (g = 0, 1)
 2. CSI01, CSI11 and CSI21 cannot communicate at different potential. Use other CSI for communication at different potential.

Caution The pins mounted depend on the product. Refer to 1.3.1 25-pin products to 1.3.4 64-pin products.

(9) Communication at different potential (2.5 V) (CSI mode) (slave mode, $\overline{\text{SCKp}}$ external clock input)
 ($T_A = -40$ to $+85^\circ\text{C}$, $1.8\text{ V} \leq \text{EV}_{\text{DD0}} \leq \text{V}_{\text{DD}} \leq 3.6\text{ V}$, $\text{V}_{\text{SS}} = \text{EV}_{\text{SS0}} = 0\text{ V}$)

Parameter	Symbol	Conditions	MIN.	TYP.	MAX.	Unit	
$\overline{\text{SCKp}}$ cycle time ^{Note 1}	t_{KCY2}	$2.7\text{ V} \leq \text{EV}_{\text{DD0}} < 3.6\text{ V}$, $24\text{ MHz} < f_{\text{MCK}}$	$20/f_{\text{MCK}}$			ns	
		$2.3\text{ V} \leq \text{V}_b \leq 2.7\text{ V}$	$20\text{ MHz} < f_{\text{MCK}} \leq 24\text{ MHz}$	$16/f_{\text{MCK}}$			ns
			$16\text{ MHz} < f_{\text{MCK}} \leq 20\text{ MHz}$	$14/f_{\text{MCK}}$			ns
			$8\text{ MHz} < f_{\text{MCK}} \leq 16\text{ MHz}$	$12/f_{\text{MCK}}$			ns
			$4\text{ MHz} < f_{\text{MCK}} \leq 8\text{ MHz}$	$8/f_{\text{MCK}}$			ns
			$f_{\text{MCK}} \leq 4\text{ MHz}$	$6/f_{\text{MCK}}$			ns
		$1.8\text{ V} \leq \text{EV}_{\text{DD0}} < 3.3\text{ V}$, $1.6\text{ V} \leq \text{V}_b \leq 2.0\text{ V}$ ^{Note 2}	$24\text{ MHz} < f_{\text{MCK}}$	$48/f_{\text{MCK}}$			ns
			$20\text{ MHz} < f_{\text{MCK}} \leq 24\text{ MHz}$	$36/f_{\text{MCK}}$			ns
			$16\text{ MHz} < f_{\text{MCK}} \leq 20\text{ MHz}$	$32/f_{\text{MCK}}$			ns
			$8\text{ MHz} < f_{\text{MCK}} \leq 16\text{ MHz}$	$26/f_{\text{MCK}}$			ns
$4\text{ MHz} < f_{\text{MCK}} \leq 8\text{ MHz}$	$16/f_{\text{MCK}}$				ns		
SCKp high-/low-level width	t_{KH2} , t_{KL2}	$2.7\text{ V} \leq \text{EV}_{\text{DD0}} < 3.6\text{ V}$, $2.3\text{ V} \leq \text{V}_b \leq 2.7\text{ V}$	$t_{\text{KCY2}}/2 - 18$			ns	
		$1.8\text{ V} \leq \text{EV}_{\text{DD0}} < 3.3\text{ V}$, $1.6\text{ V} \leq \text{V}_b \leq 2.0\text{ V}$ ^{Note 2}	$t_{\text{KCY2}}/2 - 50$			ns	
Slp setup time (to $\overline{\text{SCKp}}\uparrow$) ^{Note 3}	t_{SIK2}	$2.7\text{ V} \leq \text{EV}_{\text{DD0}} \leq 3.6\text{ V}$	60			ns	
		$1.8\text{ V} \leq \text{EV}_{\text{DD0}} < 3.3\text{ V}$	97			ns	
Slp hold time (from $\overline{\text{SCKp}}\uparrow$) ^{Note 4}	t_{KSI2}		$1/f_{\text{MCK}} + 31$			ns	
Delay time from $\overline{\text{SCKp}}\downarrow$ to SOp output ^{Note 5}	t_{KSO2}	$2.7\text{ V} \leq \text{EV}_{\text{DD0}} < 3.6\text{ V}$, $2.3\text{ V} \leq \text{V}_b \leq 2.7\text{ V}$, $C_b = 30\text{ pF}$, $R_b = 2.7\text{ k}\Omega$			$2/f_{\text{MCK}} + 214$	ns	
		$1.8\text{ V} \leq \text{EV}_{\text{DD0}} < 3.3\text{ V}$, $1.6\text{ V} \leq \text{V}_b \leq 2.0\text{ V}$ ^{Note 2} , $C_b = 30\text{ pF}$, $R_b = 5.5\text{ k}\Omega$			$2/f_{\text{MCK}} + 573$	ns	

Notes 1. Transfer rate in the SNOOZE mode : MAX. 1 Mbps

2. Use it with $\text{EV}_{\text{DD0}} \geq \text{V}_b$.

3. When $\text{DAPmn} = 0$ and $\text{CKPmn} = 0$, or $\text{DAPmn} = 1$ and $\text{CKPmn} = 1$. The Slp setup time becomes “to $\overline{\text{SCKp}}\downarrow$ ” when $\text{DAPmn} = 0$ and $\text{CKPmn} = 1$, or $\text{DAPmn} = 1$ and $\text{CKPmn} = 0$.

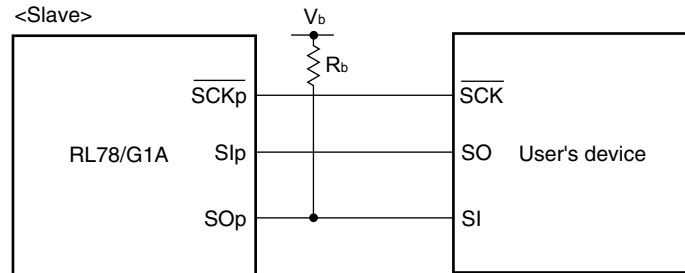
4. When $\text{DAPmn} = 0$ and $\text{CKPmn} = 0$, or $\text{DAPmn} = 1$ and $\text{CKPmn} = 1$. The Slp hold time becomes “from $\overline{\text{SCKp}}\downarrow$ ” when $\text{DAPmn} = 0$ and $\text{CKPmn} = 1$, or $\text{DAPmn} = 1$ and $\text{CKPmn} = 0$.

5. When $\text{DAPmn} = 0$ and $\text{CKPmn} = 0$, or $\text{DAPmn} = 1$ and $\text{CKPmn} = 1$. The delay time to SOp output becomes “from $\overline{\text{SCKp}}\uparrow$ ” when $\text{DAPmn} = 0$ and $\text{CKPmn} = 1$, or $\text{DAPmn} = 1$ and $\text{CKPmn} = 0$.

(**Caution** and **Remarks** are listed on the next page.)

Caution The pins mounted depend on the product. Refer to 1.3.1 25-pin products to 1.3.4 64-pin products.

CSI mode connection diagram (during communication at different potential)

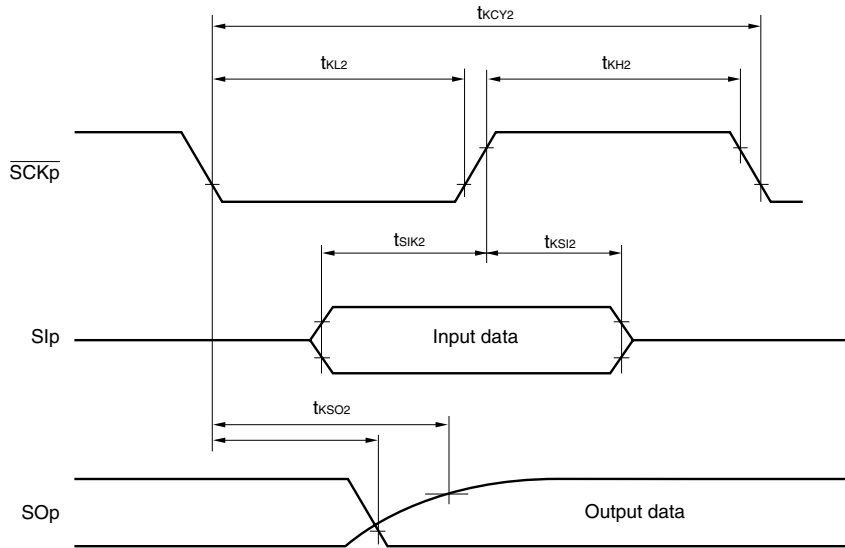


Caution Select the TTL input buffer for the Slp pin and SCKp pin and the N-ch open drain output (V_{DD} tolerance) mode for the SOp pin by using port input mode register g (PIMg) and port output mode register g (POMg).

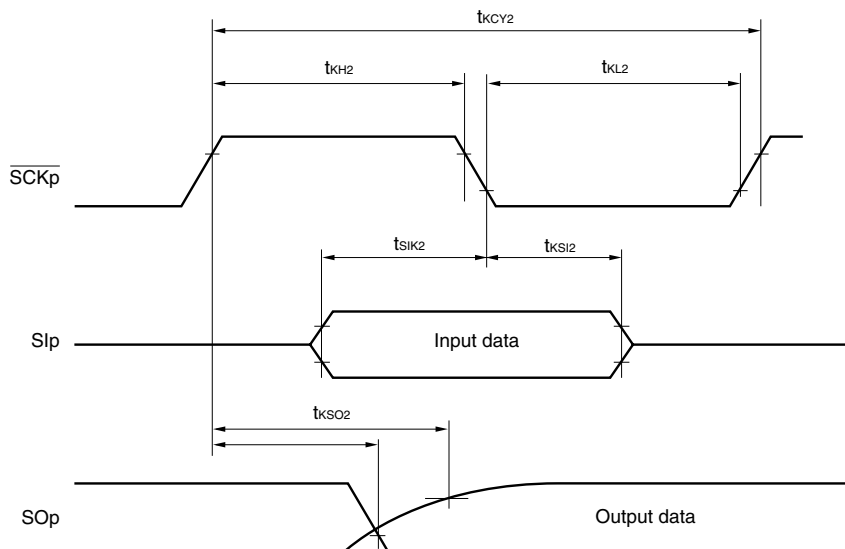
- Remarks**
- $R_b[\Omega]$: Communication line (SO_p) pull-up resistance, $C_b[F]$: Communication line (SO_p) load capacitance, $V_b[V]$: Communication line voltage
 - p: CSI number (p = 00, 01, 10, 20), m: Unit number (m = 0, 1), n: Channel number (n = 00, 01, 02, 10), g: PIM and POM number (g = 0, 1)
 - f_{MCK} : Serial array unit operation clock frequency
 (Operation clock to be set by the CKSmn bit of serial mode register mn (SMRmn).
 m: Unit number, n: Channel number (mn = 00, 01, 02, 10))
 - V_{IH} and V_{IL} below are observation points for the AC characteristics of the serial array unit when communicating at different potentials in CSI mode.
 $2.7\text{ V} \leq EV_{DD0} < 3.6\text{ V}, 2.3\text{ V} \leq V_b \leq 2.7\text{ V}: V_{IH} = 2.0\text{ V}, V_{IL} = 0.5\text{ V}$
 $1.8\text{ V} \leq EV_{DD0} < 3.3\text{ V}, 1.6\text{ V} \leq V_b \leq 2.0\text{ V}: V_{IH} = 1.5\text{ V}, V_{IL} = 0.32\text{ V}$
 - CSI01, CSI11 and CSI21 cannot communicate at different potential. Use other CSI for communication at different potential.

Caution The pins mounted depend on the product. Refer to 1.3.1 25-pin products to 1.3.4 64-pin products.

CSI mode serial transfer timing (slave mode) (during communication at different potential)
 (When DAPmn = 0 and CKPmn = 0, or DAPmn = 1 and CKPmn = 1.)



CSI mode serial transfer timing (slave mode) (during communication at different potential)
 (When DAPmn = 0 and CKPmn = 1, or DAPmn = 1 and CKPmn = 0.)



Caution Select the TTL input buffer for the SIp pin and SCKp pin and the N-ch open drain output (V_{DD} tolerance) mode for the SOp pin by using port input mode register g (PIMg) and port output mode register g (POMg).

- Remarks**
1. p: CSI number (p = 00, 01, 10, 20), m: Unit number, n: Channel number (mn = 00, 01, 02, 10), g: PIM and POM number (g = 0, 1)
 2. CSI01, CSI11 and CSI21 cannot communicate at different potential. Use other CSI for communication at different potential.

Caution The pins mounted depend on the product. Refer to 1.3.1 25-pin products to 1.3.4 64-pin products.

(10) Communication at different potential (2.5 V) (simplified I²C mode) (1/2)

(T_A = -40 to +85°C, 1.8 V ≤ EV_{DD0} ≤ V_{DD} ≤ 3.6 V, V_{SS} = EV_{SS0} = 0 V)

Parameter	Symbol	Conditions	MIN.	MAX.	Unit
SCLr clock frequency	f _{SCL}	2.7 V ≤ EV _{DD0} ≤ 3.6 V, 2.3 V ≤ V _b ≤ 2.7 V, C _b = 50 pF, R _b = 2.7 kΩ		1000	kHz
		2.7 V ≤ EV _{DD0} ≤ 3.6 V, 2.3 V ≤ V _b ≤ 2.7 V, C _b = 100 pF, R _b = 2.7 kΩ		400	kHz
		1.8 V ≤ EV _{DD0} < 3.3 V, 1.6 V ≤ V _b ≤ 2.0 V ^{Note 1} , C _b = 100 pF, R _b = 5.5 kΩ		300	kHz
Hold time when SCLr = "L"	t _{LOW}	2.7 V ≤ EV _{DD0} ≤ 3.6 V, 2.3 V ≤ V _b ≤ 2.7 V, C _b = 50 pF, R _b = 2.7 kΩ	475		ns
		2.7 V ≤ EV _{DD0} ≤ 3.6 V, 2.3 V ≤ V _b ≤ 2.7 V, C _b = 100 pF, R _b = 2.7 kΩ	1150		ns
		1.8 V ≤ EV _{DD0} < 3.3 V, 1.6 V ≤ V _b ≤ 2.0 V ^{Note 1} , C _b = 100 pF, R _b = 5.5 kΩ	1550		ns
Hold time when SCLr = "H"	t _{HIGH}	2.7 V ≤ EV _{DD0} ≤ 3.6 V, 2.3 V ≤ V _b ≤ 2.7 V, C _b = 50 pF, R _b = 2.7 kΩ	200		ns
		2.7 V ≤ EV _{DD0} ≤ 3.6 V, 2.3 V ≤ V _b ≤ 2.7 V, C _b = 100 pF, R _b = 2.7 kΩ	600		ns
		1.8 V ≤ EV _{DD0} < 3.3 V, 1.6 V ≤ V _b ≤ 2.0 V ^{Note 1} , C _b = 100 pF, R _b = 5.5 kΩ	610		ns

(Notes, Caution and Remarks are listed on the next page.)

Caution The pins mounted depend on the product. Refer to 1.3.1 25-pin products to 1.3.4 64-pin products.

(10) Communication at different potential (2.5 V) (simplified I²C mode) (2/2)

(T_A = -40 to +85°C, 1.8 V ≤ EV_{DD0} ≤ V_{DD} ≤ 3.6 V, V_{SS} = EV_{SS0} = 0 V)

Parameter	Symbol	Conditions	MIN.	MAX.	Unit
Data setup time (reception)	t _{SU:DAT}	2.7 V ≤ EV _{DD0} ≤ 3.6 V, 2.3 V ≤ V _b ≤ 2.7 V, C _b = 50 pF, R _b = 2.7 kΩ	1/f _{MCK} + 135 <small>Note 2</small>		ns
		2.7 V ≤ EV _{DD0} ≤ 3.6 V, 2.3 V ≤ V _b ≤ 2.7 V, C _b = 100 pF, R _b = 2.7 kΩ	1/f _{MCK} + 190 <small>Note 2</small>		ns
		1.8 V ≤ EV _{DD0} < 3.3 V, 1.6 V ≤ V _b ≤ 2.0 V ^{<small>Note 1</small>} , C _b = 100 pF, R _b = 5.5 kΩ	1/f _{MCK} + 190 <small>Note 2</small>		ns
Data hold time (transmission)	t _{HD:DAT}	2.7 V ≤ EV _{DD0} ≤ 3.6 V, 2.3 V ≤ V _b ≤ 2.7 V, C _b = 50 pF, R _b = 2.7 kΩ	0	305	ns
		2.7 V ≤ EV _{DD0} ≤ 3.6 V, 2.3 V ≤ V _b ≤ 2.7 V, C _b = 100 pF, R _b = 2.7 kΩ	0	355	ns
		1.8 V ≤ EV _{DD0} < 3.3 V, 1.6 V ≤ V _b ≤ 2.0 V ^{<small>Note 1</small>} , C _b = 100 pF, R _b = 5.5 kΩ	0	405	ns

Notes 1. Use it with EV_{DD0} ≥ V_b.

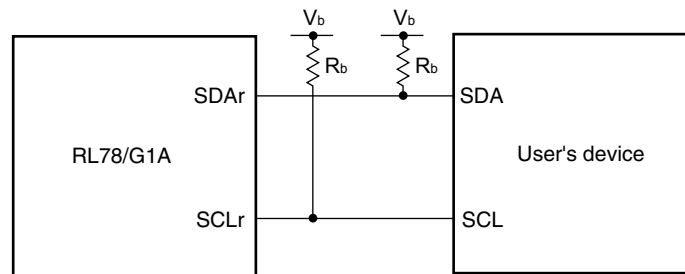
2. Set the f_{MCK} value to keep the hold time of SCLr = "L" and SCLr = "H".

Caution Select the TTL input buffer and the N-ch open drain output (V_{DD} tolerance) mode for the SDAr pin and the N-ch open drain output (V_{DD} tolerance) mode for the SCLr pin by using port input mode register g (PIMg) and port output mode register g (POMg).

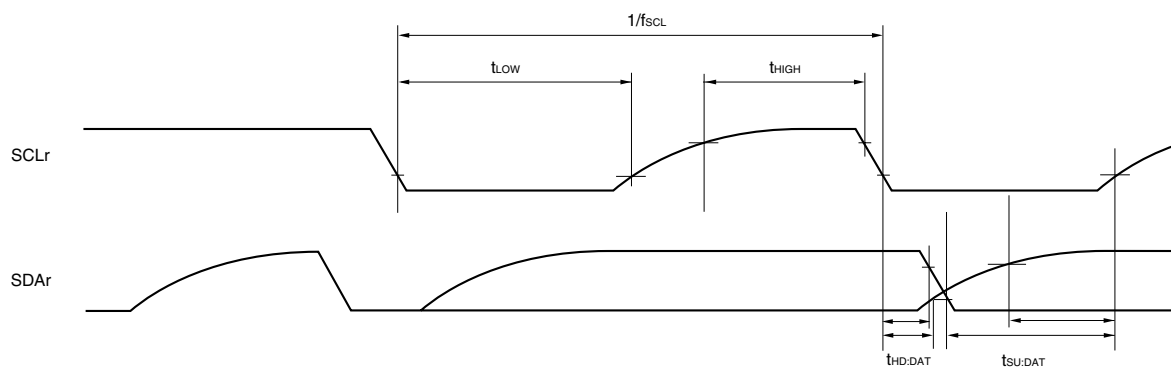
(Remarks is listed on the next page.)

Caution The pins mounted depend on the product. Refer to 1.3.1 25-pin products to 1.3.4 64-pin products.

Simplified I²C mode connection diagram (during communication at different potential)



Simplified I²C mode serial transfer timing (during communication at different potential)



Caution Select the TTL input buffer and the N-ch open drain output (V_{DD} tolerance) mode for the SDAr pin and the N-ch open drain output (V_{DD} tolerance) mode for the SCLr pin by using port input mode register g (PIMg) and port output mode register g (POMg).

- Remarks**
1. R_b[Ω]: Communication line (SDAr, SCLr) pull-up resistance, C_b[F]: Communication line (SDAr, SCLr) load capacitance, V_b[V]: Communication line voltage
 2. r: IIC number (r = 00, 01, 10, 20), g: PIM, POM number (g = 0, 1)
 3. f_{MCK}: Serial array unit operation clock frequency
 (Operation clock to be set by the CKSmn bit of serial mode register mn (SMRmn). m: Unit number, n: Channel number (mn = 00, 01, 02, 10))
 4. V_{IH} and V_{IL} below are observation points for the AC characteristics of the serial array unit when communicating at different potentials in simplified I²C mode mode.

$$2.7 \text{ V} \leq EV_{DD0} < 3.6 \text{ V}, 2.3 \text{ V} \leq V_b \leq 2.7 \text{ V}: V_{IH} = 2.0 \text{ V}, V_{IL} = 0.5 \text{ V}$$

$$1.8 \text{ V} \leq EV_{DD0} < 3.3 \text{ V}, 1.6 \text{ V} \leq V_b \leq 2.0 \text{ V}: V_{IH} = 1.5 \text{ V}, V_{IL} = 0.32 \text{ V}$$

Caution The pins mounted depend on the product. Refer to 1.3.1 25-pin products to 1.3.4 64-pin products.

2.5.2 Serial interface IICA

($T_A = -40$ to $+85^\circ\text{C}$, $1.6\text{ V} \leq EV_{DD0} \leq V_{DD} \leq 3.6\text{ V}$, $V_{SS} = EV_{SS0} = 0\text{ V}$)

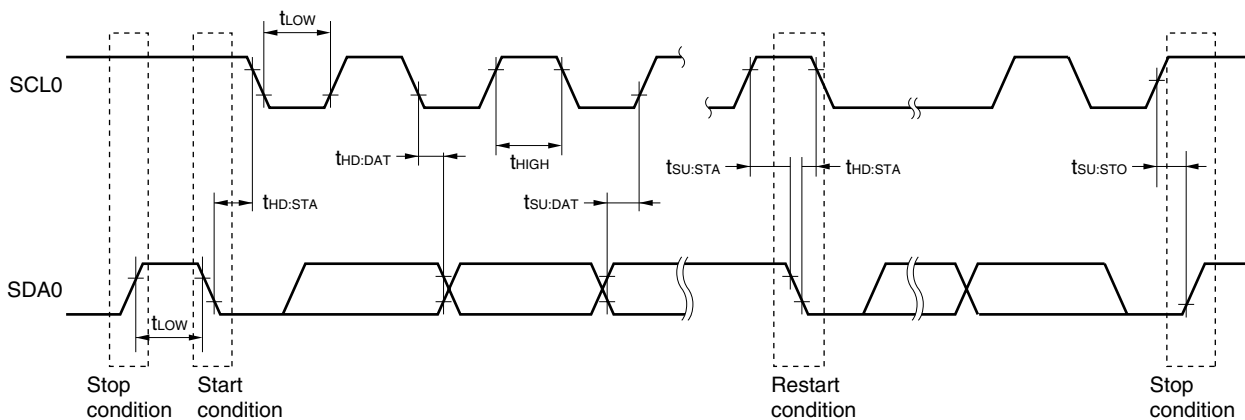
Parameter	Symbol	Conditions	Standard Mode		Fast Mode		Fast Mode Plus		Unit		
			MIN.	MAX.	MIN.	MAX.	MIN.	MAX.			
SCLA0 clock frequency	f_{SCL}	Fast mode plus: $f_{CLK} \geq 10\text{ MHz}$	$2.7\text{ V} \leq EV_{DD0} \leq 3.6\text{ V}$						0	1000	kHz
		Fast mode: $f_{CLK} \geq 3.5\text{ MHz}$	$1.8\text{ V} \leq EV_{DD0} \leq 3.6\text{ V}$				0	400			kHz
		Normal mode: $f_{CLK} \geq 1\text{ MHz}$	$1.6\text{ V} \leq EV_{DD0} \leq 3.6\text{ V}$		0	100					kHz
Setup time of restart condition	$t_{SU:STA}$		4.7		0.6		0.26			μS	
Hold time ^{Note 1}	$t_{HD:STA}$		4.0		0.6		0.26			μS	
Hold time when SCLA0 = "L"	t_{LOW}		4.7		1.3		0.5			μS	
Hold time when SCLA0 = "H"	t_{HIGH}		4.0		0.6		0.26			μS	
Data setup time (reception)	$t_{SU:DAT}$		250		100		50			ns	
Data hold time (transmission) ^{Note 2}	$t_{HD:DAT}$		0	3.45	0	0.9	0			μS	
Setup time of stop condition	$t_{SU:STO}$		4.0		0.6		0.26			μS	
Bus-free time	t_{BUF}		4.7		1.3		0.5			μS	

- Notes**
- The first clock pulse is generated after this period when the start/restart condition is detected.
 - The maximum value (MAX.) of $t_{HD:DAT}$ is during normal transfer and a wait state is inserted in the $\overline{\text{ACK}}$ (acknowledge) timing.

Remark The maximum value of C_b (communication line capacitance) and the value of R_b (communication line pull-up resistor) at that time in each mode are as follows.

Standard mode: $C_b = 400\text{ pF}$, $R_b = 2.7\text{ k}\Omega$
 Fast mode: $C_b = 320\text{ pF}$, $R_b = 1.1\text{ k}\Omega$
 Fast mode plus: $C_b = 120\text{ pF}$, $R_b = 1.1\text{ k}\Omega$

IICA serial transfer timing



Caution The pins mounted depend on the product. Refer to 1.3.1 25-pin products to 1.3.4 64-pin products.

2.5.3 On-chip debug (UART)

($T_A = -40$ to $+85^\circ\text{C}$, $1.8\text{ V} \leq E_{VDD0} \leq V_{DD} \leq 3.6\text{ V}$, $V_{SS} = E_{VSS0} = 0\text{ V}$)

Parameter	Symbol	Conditions	MIN.	TYP.	MAX.	Unit
Transfer rate			115.2 k		1 M	bps

Caution The pins mounted depend on the product. Refer to 1.3.1 25-pin products to 1.3.4 64-pin products.

2.6 Analog Characteristics

2.6.1 A/D converter characteristics

(1) When $AV_{REF(+)} = AV_{REFP}/ANI0$ ($ADREFP1 = 0, ADREFP0 = 1$), $AV_{REF(-)} = AV_{REFM}/ANI1$ ($ADREFM = 1$), target ANI pin : ANI0 to ANI12 (supply ANI pin to AV_{DD})

($T_A = -40$ to $+85^\circ\text{C}$, $1.6\text{ V} \leq V_{DD} \leq 3.6\text{ V}$, $1.6\text{ V} \leq AV_{DD} \leq 3.6\text{ V}$, $V_{SS} = 0\text{ V}$, $AV_{SS} = 0\text{ V}$, Reference voltage (+) = AV_{REFP} , Reference voltage (-) = $AV_{REFM} = 0\text{ V}$)

Parameter	Symbol	Conditions	MIN.	TYP.	MAX.	Unit
Resolution	R_{ES}	$2.4\text{ V} \leq AV_{DD} \leq 3.6\text{ V}$	8		12	bit
		$1.8\text{ V} \leq AV_{DD} \leq 3.6\text{ V}$	8		10 ^{Note 1}	
		$1.6\text{ V} \leq AV_{DD} \leq 3.6\text{ V}$	8 ^{Note 2}			
Overall error ^{Note 3}	A_{INL}	12-bit resolution $2.4\text{ V} \leq AV_{DD} \leq 3.6\text{ V}$			± 6.0	LSB
		10-bit resolution $1.8\text{ V} \leq AV_{DD} \leq 3.6\text{ V}$			± 3.5	
		8-bit resolution $1.6\text{ V} \leq AV_{DD} \leq 3.6\text{ V}$			± 1.75	
Conversion time	t_{CONV}	ADTYP = 0, 12-bit resolution $2.4\text{ V} \leq V_{DD} \leq 3.6\text{ V}$	3.375			μs
		ADTYP = 0, 10-bit resolution ^{Note 1} $1.8\text{ V} \leq V_{DD} \leq 3.6\text{ V}$	6.75			
		ADTYP = 0, 8-bit resolution ^{Note 2} $1.6\text{ V} \leq V_{DD} \leq 3.6\text{ V}$	13.5			
		ADTYP = 1, 8-bit resolution $2.4\text{ V} \leq V_{DD} \leq 3.6\text{ V}$	2.5625			
			$1.8\text{ V} \leq V_{DD} \leq 3.6\text{ V}$	5.125		
$1.6\text{ V} \leq V_{DD} \leq 3.6\text{ V}$	10.25					
Zero-scale error ^{Notes 3, 4}	E_{ZS}	12-bit resolution $2.4\text{ V} \leq V_{DD} \leq 3.6\text{ V}$			± 4.0	%FSR
		10-bit resolution $1.8\text{ V} \leq V_{DD} \leq 3.6\text{ V}$			± 2.5	
		8-bit resolution $1.6\text{ V} \leq V_{DD} \leq 3.6\text{ V}$			± 1.25	
Full-scale error ^{Notes 3, 4}	E_{FS}	12-bit resolution $2.4\text{ V} \leq V_{DD} \leq 3.6\text{ V}$			± 4.0	%FSR
		10-bit resolution $1.8\text{ V} \leq V_{DD} \leq 3.6\text{ V}$			± 2.5	
		8-bit resolution $1.6\text{ V} \leq V_{DD} \leq 3.6\text{ V}$			± 1.25	
Integral linearity error ^{Note 3}	I_{LE}	12-bit resolution $2.4\text{ V} \leq V_{DD} \leq 3.6\text{ V}$			T.B.D.	LSB
		10-bit resolution $1.8\text{ V} \leq V_{DD} \leq 3.6\text{ V}$			T.B.D.	
		8-bit resolution $1.6\text{ V} \leq V_{DD} \leq 3.6\text{ V}$			T.B.D.	
Differential linearity error ^{Note 3}	D_{LE}	12-bit resolution $2.4\text{ V} \leq V_{DD} \leq 3.6\text{ V}$			T.B.D.	LSB
		10-bit resolution $1.8\text{ V} \leq V_{DD} \leq 3.6\text{ V}$			T.B.D.	
		8-bit resolution $1.6\text{ V} \leq V_{DD} \leq 3.6\text{ V}$			T.B.D.	
Reference voltage (+)	$AV_{REF(+)} = AV_{REFP}$	$2.4\text{ V} \leq V_{DD} \leq 3.6\text{ V}$	2.4		AV_{DD}	V
		$1.8\text{ V} \leq V_{DD} \leq 3.6\text{ V}$	1.8		AV_{DD}	
		$1.6\text{ V} \leq V_{DD} \leq 3.6\text{ V}$	1.6		AV_{DD}	
Reference voltage (-)	$AV_{REF(-)} = AV_{REFM}$		-0.5		0.3	V
Analog input voltage	V_{AIN}		0		AV_{REFP}	V
	V_{BGR}	$2.4\text{ V} \leq V_{DD} \leq 3.6\text{ V}$	1.38	1.45	1.5	V
Consumption current	I_{ADC}	$AV_{DD} = 3.6\text{ V}$		460	1090	μA
V_{REF} current	I_{AVREF}	$AV_{REFP} = 3.6\text{ V}$		14	25	μA

- Notes**
- Cannot be used for lower 2 bit of ADCR register
 - Cannot be used for lower 4 bit of ADCR register
 - Excludes quantization error ($\pm 1/2$ LSB).
 - This value is indicated as a ratio (%FSR) to the full-scale value.

Caution Always use AV_{DD} pin with the same potential as the V_{DD} pin.

Caution The pins mounted depend on the product. Refer to 1.3.1 25-pin products to 1.3.4 64-pin products.

(2) When $AV_{REF(+)} = AV_{DD}$ ($ADREFP1 = 0$, $ADREFP0 = 0$), $AV_{REF(-)} = AV_{SS}$ ($ADREFM = 0$), target ANI pin : ANI0 to ANI12 (supply ANI pin to AV_{DD})

($T_A = -40$ to $+85^\circ\text{C}$, $1.6\text{ V} \leq V_{DD} \leq 3.6\text{ V}$, $1.6\text{ V} \leq AV_{DD} \leq 3.6\text{ V}$, $V_{SS} = 0\text{ V}$, $AV_{SS} = 0\text{ V}$, Reference voltage (+) = AV_{REFP} , Reference voltage (-) = $AV_{REFM} = 0\text{ V}$)

Parameter	Symbol	Conditions	MIN.	TYP.	MAX.	Unit
Resolution	RES	$2.4\text{ V} \leq AV_{DD} \leq 3.6\text{ V}$	8		12	bit
		$1.8\text{ V} \leq AV_{DD} \leq 3.6\text{ V}$	8		10 ^{Note 1}	
		$1.6\text{ V} \leq AV_{DD} \leq 3.6\text{ V}$	8 ^{Note 2}			
Overall error ^{Note 3}	AINL	12-bit resolution	$2.4\text{ V} \leq AV_{DD} \leq 3.6\text{ V}$		± 9.0	LSB
		10-bit resolution	$1.8\text{ V} \leq AV_{DD} \leq 3.6\text{ V}$		± 5.0	
		8-bit resolution	$1.6\text{ V} \leq AV_{DD} \leq 3.6\text{ V}$		± 2.5	
Conversion time	t_{CONV}	ADTYP = 0, 12-bit resolution	$2.4\text{ V} \leq V_{DD} \leq 3.6\text{ V}$	3.375		μS
		ADTYP = 0, 10-bit resolution ^{Note 1}	$1.8\text{ V} \leq V_{DD} \leq 3.6\text{ V}$	6.75		
		ADTYP = 0, 8-bit resolution ^{Note 2}	$1.6\text{ V} \leq V_{DD} \leq 3.6\text{ V}$	13.5		
		ADTYP = 1, 8-bit resolution	$2.4\text{ V} \leq V_{DD} \leq 3.6\text{ V}$	2.5625		
			$1.8\text{ V} \leq V_{DD} \leq 3.6\text{ V}$	5.125		
			$1.6\text{ V} \leq V_{DD} \leq 3.6\text{ V}$	10.25		
Zero-scale error ^{Notes 3, 4}	EVS	12-bit resolution	$2.4\text{ V} \leq V_{DD} \leq 3.6\text{ V}$		± 7.0	%FSR
		10-bit resolution	$1.8\text{ V} \leq V_{DD} \leq 3.6\text{ V}$		± 3.75	
		8-bit resolution	$1.6\text{ V} \leq V_{DD} \leq 3.6\text{ V}$		± 2.0	
Full-scale error ^{Notes 3, 4}	EFS	12-bit resolution	$2.4\text{ V} \leq V_{DD} \leq 3.6\text{ V}$		± 7.0	%FSR
		10-bit resolution	$1.8\text{ V} \leq V_{DD} \leq 3.6\text{ V}$		± 3.75	
		8-bit resolution	$1.6\text{ V} \leq V_{DD} \leq 3.6\text{ V}$		± 2.0	
Integral linearity error ^{Note 3}	ILE	12-bit resolution	$2.4\text{ V} \leq V_{DD} \leq 3.6\text{ V}$		T.B.D.	LSB
		10-bit resolution	$1.8\text{ V} \leq V_{DD} \leq 3.6\text{ V}$		T.B.D.	
		8-bit resolution	$1.6\text{ V} \leq V_{DD} \leq 3.6\text{ V}$		T.B.D.	
Differential linearity error ^{Note 3}	DLE	12-bit resolution	$2.4\text{ V} \leq V_{DD} \leq 3.6\text{ V}$		T.B.D.	LSB
		10-bit resolution	$1.8\text{ V} \leq V_{DD} \leq 3.6\text{ V}$		T.B.D.	
		8-bit resolution	$1.6\text{ V} \leq V_{DD} \leq 3.6\text{ V}$		T.B.D.	
Reference voltage (+)	$AV_{REFP} = AV_{DD}$		1.6		3.6	V
Reference voltage (-)	$AV_{REFM} = AV_{SS}$		-0.5		0.3	V
Analog input voltage	V_{AIN}		0		AV_{REFP}	V
	V_{BGR}	$2.4\text{ V} \leq V_{DD} \leq 3.6\text{ V}$	1.38	1.45	1.5	V
Consumption current	I_{ADC}	$AV_{DD} = 3.6\text{ V}$		460	1090	μA
V_{REF} current	I_{AVREF}	$AV_{REFP} = 3.6\text{ V}$		14	25	μA

- Notes 1.** Cannot be used for lower 2 bit of ADCR register
2. Cannot be used for lower 4 bit of ADCR register
3. Excludes quantization error ($\pm 1/2$ LSB).
4. This value is indicated as a ratio (%FSR) to the full-scale value.

Caution Always use AV_{DD} pin with the same potential as the V_{DD} pin.

Caution The pins mounted depend on the product. Refer to 1.3.1 25-pin products to 1.3.4 64-pin products.

(3) When $AV_{REF(+)} = AV_{REFP}/ANI0$ ($ADREFP1 = 0, ADREFP0 = 1$), $AV_{REF(-)} = AV_{REFM}/ANI1$ ($ADREFM = 1$), target ANI pin : ANI16 to ANI30 (supply ANI pin to EV_{DD0})

($T_A = -40$ to $+85^\circ\text{C}$, $1.6\text{ V} \leq EV_{DD0} \leq V_{DD} \leq 3.6\text{ V}$, $1.6\text{ V} \leq AV_{DD} \leq 3.6\text{ V}$, $V_{SS} = EV_{SS0} = 0\text{ V}$, $AV_{SS} = 0\text{ V}$, Reference voltage (+) = AV_{REFP} , Reference voltage (-) = $AV_{REFM} = 0\text{ V}$)

Parameter	Symbol	Conditions	MIN.	TYP.	MAX.	Unit
Resolution	R_{ES}	$2.4\text{ V} \leq AV_{DD} \leq 3.6\text{ V}$	8		12	bit
		$1.8\text{ V} \leq AV_{DD} \leq 3.6\text{ V}$	8		10 ^{Note 1}	
		$1.6\text{ V} \leq AV_{DD} \leq 3.6\text{ V}$	8 ^{Note 2}			
Overall error ^{Note 3}	A_{INL}	12-bit resolution	$2.4\text{ V} \leq AV_{DD} \leq 3.6\text{ V}$		± 9.0	LSB
		10-bit resolution	$1.8\text{ V} \leq AV_{DD} \leq 3.6\text{ V}$		± 5.0	
		8-bit resolution	$1.6\text{ V} \leq AV_{DD} \leq 3.6\text{ V}$		± 2.5	
Conversion time	t_{CONV}	ADTYP = 0, 12-bit resolution	$2.4\text{ V} \leq V_{DD} \leq 3.6\text{ V}$	4.125		μs
		ADTYP = 0, 10-bit resolution ^{Note 1}	$1.8\text{ V} \leq V_{DD} \leq 3.6\text{ V}$	9.5		
		ADTYP = 0, 8-bit resolution ^{Note 2}	$1.6\text{ V} \leq V_{DD} \leq 3.6\text{ V}$	57.5		
		ADTYP = 1, 8-bit resolution	$2.4\text{ V} \leq V_{DD} \leq 3.6\text{ V}$	3.3125		
			$1.8\text{ V} \leq V_{DD} \leq 3.6\text{ V}$	7.875		
			$1.6\text{ V} \leq V_{DD} \leq 3.6\text{ V}$	54.25		
Zero-scale error ^{Notes 3, 4}	E_{ZS}	12-bit resolution	$2.4\text{ V} \leq V_{DD} \leq 3.6\text{ V}$		± 7.0	%FSR
		10-bit resolution	$1.8\text{ V} \leq V_{DD} \leq 3.6\text{ V}$		± 3.75	
		8-bit resolution	$1.6\text{ V} \leq V_{DD} \leq 3.6\text{ V}$		± 2.0	
Full-scale error ^{Notes 3, 4}	E_{FS}	12-bit resolution	$2.4\text{ V} \leq V_{DD} \leq 3.6\text{ V}$		± 7.0	%FSR
		10-bit resolution	$1.8\text{ V} \leq V_{DD} \leq 3.6\text{ V}$		± 3.75	
		8-bit resolution	$1.6\text{ V} \leq V_{DD} \leq 3.6\text{ V}$		± 2.0	
Integral linearity error ^{Note 3}	I_{LE}	12-bit resolution	$2.4\text{ V} \leq V_{DD} \leq 3.6\text{ V}$		T.B.D.	LSB
		10-bit resolution	$1.8\text{ V} \leq V_{DD} \leq 3.6\text{ V}$		T.B.D.	
		8-bit resolution	$1.6\text{ V} \leq V_{DD} \leq 3.6\text{ V}$		T.B.D.	
Differential linearity error ^{Note 3}	D_{LE}	12-bit resolution	$2.4\text{ V} \leq V_{DD} \leq 3.6\text{ V}$		T.B.D.	LSB
		10-bit resolution	$1.8\text{ V} \leq V_{DD} \leq 3.6\text{ V}$		T.B.D.	
		8-bit resolution	$1.6\text{ V} \leq V_{DD} \leq 3.6\text{ V}$		T.B.D.	
Reference voltage (+)	$AV_{REF(+)}$	= AV_{REFP}	$2.4\text{ V} \leq V_{DD} \leq 3.6\text{ V}$	2.4	AV_{DD}	V
			$1.8\text{ V} \leq V_{DD} \leq 3.6\text{ V}$	1.8	AV_{DD}	
			$1.6\text{ V} \leq V_{DD} \leq 3.6\text{ V}$	1.6	AV_{DD}	
Reference voltage (-)	$AV_{REF(-)}$	= AV_{REFM}		-0.5	0.3	V
Analog input voltage	V_{AIN}		0		AV_{REFP}	V
	V_{BGR}	$2.4\text{ V} \leq V_{DD} \leq 3.6\text{ V}$	1.38	1.45	1.5	V
Consumption current	I_{ADC}	$AV_{DD} = 3.6\text{ V}$		400	950	μA
V_{REF} current	I_{AVREF}	$AV_{REFP} = 3.6\text{ V}$		14	25	μA

- Notes**
- Cannot be used for lower 2 bit of ADCR register
 - Cannot be used for lower 4 bit of ADCR register
 - Excludes quantization error ($\pm 1/2$ LSB).
 - This value is indicated as a ratio (%FSR) to the full-scale value.

Caution Always use AV_{DD} pin with the same potential as the V_{DD} pin.

Caution The pins mounted depend on the product. Refer to 1.3.1 25-pin products to 1.3.4 64-pin products.

(4) When $AV_{REF(+)} = AV_{DD}$ (ADREFP1 = 0, ADREFP0 = 0), $AV_{REF(-)} = AV_{SS}$ (ADREFM = 0), target ANI pin : ANI16 to ANI30 (supply ANI pin to EV_{DD0})

(T_A = -40 to +85°C, 1.6 V ≤ EV_{DD0} ≤ V_{DD0} ≤ 3.6 V, 1.6 V ≤ AV_{DD} ≤ 3.6 V, V_{SS} = EV_{SS0} = 0 V, AV_{SS} = 0 V, Reference voltage (+) = AV_{DD}, Reference voltage (-) = AV_{SS} = 0 V)

Parameter	Symbol	Conditions	MIN.	TYP.	MAX.	Unit	
Resolution	RES	2.4 V ≤ AV _{DD} ≤ 3.6 V	8		12	bit	
		1.8 V ≤ AV _{DD} ≤ 3.6 V	8		10 ^{Note 1}		
		1.6 V ≤ AV _{DD} ≤ 3.6 V	8 ^{Note 2}				
Overall error ^{Note 3}	AINL	12-bit resolution 2.4 V ≤ AV _{DD} ≤ 3.6 V			±14.0	LSB	
		10-bit resolution 1.8 V ≤ AV _{DD} ≤ 3.6 V			±7.5		
		8-bit resolution 1.6 V ≤ AV _{DD} ≤ 3.6 V			±3.75		
Conversion time	t _{CONV}	ADTYP = 0, 12-bit resolution 2.4 V ≤ V _{DD} ≤ 3.6 V	4.125			μs	
		ADTYP = 0, 10-bit resolution ^{Note 1} 1.8 V ≤ V _{DD} ≤ 3.6 V	9.5				
		ADTYP = 0, 8-bit resolution ^{Note 2} 1.6 V ≤ V _{DD} ≤ 3.6 V	57.5				
		ADTYP = 1, 8-bit resolution	2.4 V ≤ V _{DD} ≤ 3.6 V	3.3125			μs
			1.8 V ≤ V _{DD} ≤ 3.6 V	7.875			
			1.6 V ≤ V _{DD} ≤ 3.6 V	54.25			
Zero-scale error ^{Notes 3, 4}	EZS	12-bit resolution 2.4 V ≤ V _{DD} ≤ 3.6 V			±9.0	%FSR	
		10-bit resolution 1.8 V ≤ V _{DD} ≤ 3.6 V			±5.0		
		8-bit resolution 1.6 V ≤ V _{DD} ≤ 3.6 V			±2.5		
Full-scale error ^{Notes 3, 4}	EFS	12-bit resolution 2.4 V ≤ V _{DD} ≤ 3.6 V			±9.0	%FSR	
		10-bit resolution 1.8 V ≤ V _{DD} ≤ 3.6 V			±5.0		
		8-bit resolution 1.6 V ≤ V _{DD} ≤ 3.6 V			±2.5		
Integral linearity error ^{Note 3}	ILE	12-bit resolution 2.4 V ≤ V _{DD} ≤ 3.6 V			T.B.D.	LSB	
		10-bit resolution 1.8 V ≤ V _{DD} ≤ 3.6 V			T.B.D.		
		8-bit resolution 1.6 V ≤ V _{DD} ≤ 3.6 V			T.B.D.		
Differential linearity error ^{Note 3}	DLE	12-bit resolution 2.4 V ≤ V _{DD} ≤ 3.6 V			T.B.D.	LSB	
		10-bit resolution 1.8 V ≤ V _{DD} ≤ 3.6 V			T.B.D.		
		8-bit resolution 1.6 V ≤ V _{DD} ≤ 3.6 V			T.B.D.		
Reference voltage (+)	AV _{REF(+)} = AV _{DD}		1.6		3.6	V	
Reference voltage (-)	AV _{REF(-)} = AV _{SS}		-0.5		0.3	V	
Analog input voltage	V _{AIN}		0		AV _{REFP}	V	
	V _{BGR}	2.4 V ≤ V _{DD} ≤ 3.6 V	1.38	1.45	1.5	V	
Consumption current	I _{ADC}	AV _{DD} = 3.6 V		400	950	μA	
V _{REF} current	I _{AVREF}	AV _{REFP} = 3.6 V		14	25	μA	

- Notes 1.** Cannot be used for lower 2 bit of ADCR register
2. Cannot be used for lower 4 bit of ADCR register
3. Excludes quantization error (±1/2 LSB).
4. This value is indicated as a ratio (%FSR) to the full-scale value.

Caution Always use AV_{DD} pin with the same potential as the V_{DD} pin.

Caution The pins mounted depend on the product. Refer to 1.3.1 25-pin products to 1.3.4 64-pin products.

(5) When $AV_{REF(+)}$ = Internal reference voltage (1.45 V) ($ADREFP1 = 1$, $ADREFP0 = 0$), $AV_{REF(-)}$ = AV_{SS} ($ADREFM = 0$), target ANI pin : ANI0 to ANI12, ANI16 to ANI30

($T_A = -40$ to $+85^{\circ}\text{C}$, $1.6\text{ V} \leq EV_{DD0} \leq V_{DD} \leq 3.6\text{ V}$, $1.6\text{ V} \leq AV_{DD} \leq 3.6\text{ V}$, $V_{SS} = EV_{SS0} = 0\text{ V}$, $AV_{SS0} = 0\text{ V}$, Reference voltage (+) = Internal reference voltage, Reference voltage (-) = $AV_{SS} = 0\text{ V}$)

Parameter	Symbol	Conditions	MIN.	TYP.	MAX.	Unit
Resolution	R_{ES}		8			bit
Conversion time	t_{CONV}	8-bit resolution	16			μs
Zero-scale error ^{Notes 1, 2}	E_{ZS}	8-bit resolution			± 2.5	%FSR
Integral linearity error ^{Note 1}	I_{LE}	8-bit resolution			T.B.D.	LSB
Differential linearity error ^{Note 1}	D_{LE}	8-bit resolution			T.B.D.	LSB
Reference voltage (+)	$AV_{REF(+)}$	= Internal reference voltage	1.38	1.45	1.5	V
Reference voltage (-)	$AV_{REF(-)}$	= AV_{SS}	-0.5		0.3	V
Analog input voltage	V_{AIN}		0		AV_{REFP}	V
	V_{BGR}		Conversion prohibit			V
Consumption current	I_{ADC}	$AV_{DD} = 3.6\text{ V}$		400	950	μA
V_{REF} current	I_{AVREF}			75		μA

- Notes**
- Excludes quantization error ($\pm 1/2$ LSB).
 - This value is indicated as a ratio (%FSR) to the full-scale value.

Caution Always use AV_{DD} pin with the same potential as the V_{DD} pin.

Caution The pins mounted depend on the product. Refer to 1.3.1 25-pin products to 1.3.4 64-pin products.

2.6.2 Temperature sensor characteristics

($T_A = -40$ to $+85^\circ\text{C}$, $2.4\text{ V} \leq E_{VDD0} \leq V_{DD} \leq 3.6\text{ V}$, $V_{SS} = E_{VSS0} = 0\text{ V}$)

Parameter	Symbol	Conditions	MIN.	TYP.	MAX.	Unit
Temperature sensor output voltage	V_{TMS25}	Setting ADS register = 80H, $T_A = +25^\circ\text{C}$		1.05		V
Reference output voltage	V_{CONST}	Setting ADS register = 81H	1.38	1.45	1.5	V
Temperature coefficient	F_{VTMS}	Temperature sensor that depends on the temperature		-3.6		mV/C
Operation stabilization wait time	t_{AMP}				2	μs

2.6.3 POR circuit characteristics

($T_A = -40$ to $+85^\circ\text{C}$, $V_{SS} = 0\text{ V}$)

Parameter	Symbol	Conditions	MIN.	TYP.	MAX.	Unit
Detection voltage	V_{POR}	Power supply rise time	1.48	1.51	1.54	V
	V_{PDR}	Power supply fall time	1.47	1.50	1.53	V
Minimum pulse width	T_{PW}		300			μs
Detection delay time					350	μs

Caution The pins mounted depend on the product. Refer to 1.3.1 25-pin products to 1.3.4 64-pin products.

2.6.4 LVD circuit characteristics

LVD Detection Voltage of Reset Mode and Interrupt Mode

($T_A = -40$ to $+85^\circ\text{C}$, $V_{PDR} \leq EV_{DD0} \leq V_{DD} \leq 3.6$ V, $V_{SS} = EV_{SS0} = 0$ V)

Parameter		Symbol	Conditions	MIN.	TYP.	MAX.	Unit
Detection voltage	Supply voltage level	V _{LVD2}	Power supply rise time	3.07	3.13	3.19	V
			Power supply fall time	3.00	3.06	3.12	V
		V _{LVD3}	Power supply rise time	2.96	3.02	3.08	V
			Power supply fall time	2.90	2.96	3.02	V
		V _{LVD4}	Power supply rise time	2.86	2.92	2.97	V
			Power supply fall time	2.80	2.86	2.91	V
		V _{LVD5}	Power supply rise time	2.76	2.81	2.87	V
			Power supply fall time	2.70	2.75	2.81	V
		V _{LVD6}	Power supply rise time	2.66	2.71	2.76	V
			Power supply fall time	2.60	2.65	2.70	V
		V _{LVD7}	Power supply rise time	2.56	2.61	2.66	V
			Power supply fall time	2.50	2.55	2.60	V
		V _{LVD8}	Power supply rise time	2.45	2.50	2.55	V
			Power supply fall time	2.40	2.45	2.50	V
		V _{LVD9}	Power supply rise time	2.05	2.09	2.13	V
			Power supply fall time	2.00	2.04	2.08	V
		V _{LVD10}	Power supply rise time	1.94	1.98	2.02	V
			Power supply fall time	1.90	1.94	1.98	V
		V _{LVD11}	Power supply rise time	1.84	1.88	1.91	V
			Power supply fall time	1.80	1.84	1.87	V
		V _{LVD12}	Power supply rise time	1.74	1.77	1.81	V
			Power supply fall time	1.70	1.73	1.77	V
		V _{LVD13}	Power supply rise time	1.64	1.67	1.70	V
			Power supply fall time	1.60	1.63	1.66	V
Minimum pulse width	t _{LW}		300			μs	
Detection delay time					300	μs	

Remark $V_{LVD(n-1)} > V_{LVDn}$; n = 3 to 13

Caution The pins mounted depend on the product. Refer to 1.3.1 25-pin products to 1.3.4 64-pin products.

LVD Detection Voltage of Interrupt & Reset Mode

($T_A = -40$ to $+85^\circ\text{C}$, $V_{PDR} \leq EV_{DD0} \leq V_{DD} \leq 3.6$ V, $V_{SS} = EV_{SS0} = 0$ V)

Parameter	Symbol	Conditions	MIN.	TYP.	MAX.	Unit	
Interrupt and reset mode	V _{LVD13}	V _{POC0} , V _{POC1} , V _{POC2} = 0, 0, 0, falling reset voltage: 1.6 V	1.60	1.63	1.66	V	
	V _{LVD12}	LVIS0, LVIS1 = 1, 0 (+0.1 V)	Rising release reset voltage	1.74	1.77	1.81	V
			Falling interrupt voltage	1.70	1.73	1.77	V
	V _{LVD11}	LVIS0, LVIS1 = 0, 1 (+0.2 V)	Rising release reset voltage	1.84	1.88	1.91	V
			Falling interrupt voltage	1.80	1.84	1.87	V
	V _{LVD4}	LVIS0, LVIS1 = 0, 0 (+1.2 V)	Rising release reset voltage	2.86	2.92	2.97	V
			Falling interrupt voltage	2.80	2.86	2.91	V
	V _{LVD11}	V _{POC0} , V _{POC1} , V _{POC2} = 0, 0, 1, falling reset voltage: 1.8 V	1.80	1.84	1.87	V	
	V _{LVD10}	LVIS0, LVIS1 = 1, 0 (+0.1 V)	Rising release reset voltage	1.94	1.98	2.02	V
			Falling interrupt voltage	1.90	1.94	1.98	V
	V _{LVD9}	LVIS0, LVIS1 = 0, 1 (+0.2 V)	Rising release reset voltage	2.05	2.09	2.13	V
			Falling interrupt voltage	2.00	2.04	2.08	V
	V _{LVD2}	LVIS0, LVIS1 = 0, 0 (+1.2 V)	Rising release reset voltage	3.07	3.13	3.19	V
			Falling interrupt voltage	3.00	3.06	3.12	V
	V _{LVD8}	V _{POC0} , V _{POC1} , V _{POC2} = 0, 1, 0, falling reset voltage: 2.4 V	2.40	2.45	2.50	V	
	V _{LVD7}	LVIS0, LVIS1 = 1, 0 (+0.1 V)	Rising release reset voltage	2.56	2.61	2.66	V
			Falling interrupt voltage	2.50	2.55	2.60	V
	V _{LVD6}	LVIS0, LVIS1 = 0, 1 (+0.2 V)	Rising release reset voltage	2.66	2.71	2.76	V
			Falling interrupt voltage	2.60	2.65	2.70	V
	V _{LVD5}	V _{POC0} , V _{POC1} , V _{POC2} = 0, 1, 1, falling reset voltage: 2.7 V	2.70	2.75	2.81	V	
V _{LVD4}	LVIS0, LVIS1 = 1, 0 (+0.1 V)	Rising release reset voltage	2.86	2.92	2.97	V	
		Falling interrupt voltage	2.80	2.86	2.91	V	
V _{LVD3}	LVIS0, LVIS1 = 0, 1 (+0.2 V)	Rising release reset voltage	2.96	3.02	3.08	V	
		Falling interrupt voltage	2.90	2.96	3.02	V	

Caution The pins mounted depend on the product. Refer to 1.3.1 25-pin products to 1.3.4 64-pin products.

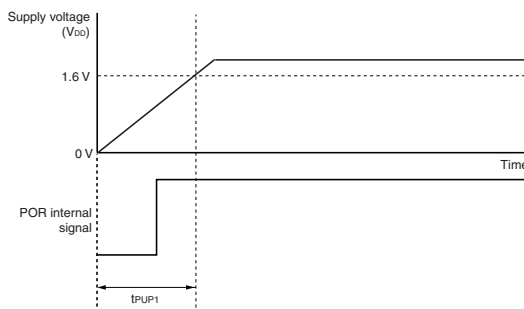
Supply Voltage Rise Time ($T_A = -40$ to $+85^\circ\text{C}$, $V_{SS} = 0$ V)

Parameter	Symbol	Conditions	MIN.	TYP.	MAX.	Unit
Maximum time to rise to 1.6 V (V_{DD} (MIN.)) ^{Note} (V_{DD} : 0 V \rightarrow 1.6 V)	t_{PUP1}	When $\overline{\text{RESET}}$ input is not used			3.2	ms

Note Make sure to raise the power supply in a shorter time than this.

Supply Voltage Rise Time Timing

- When RESET pin input is not used



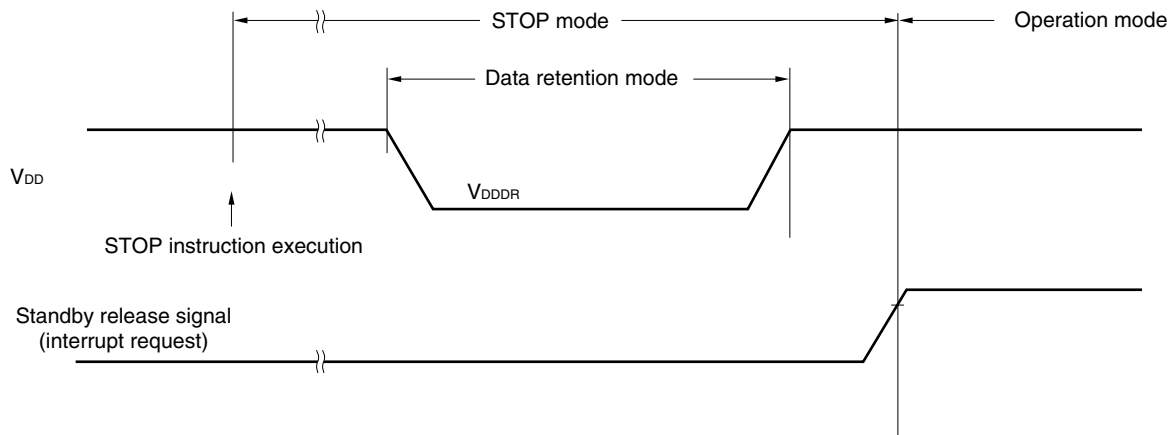
Caution The pins mounted depend on the product. Refer to 1.3.1 25-pin products to 1.3.4 64-pin products.

2.7 Data Memory STOP Mode Low Supply Voltage Data Retention Characteristics

($T_A = -40$ to $+85^\circ\text{C}$)

Parameter	Symbol	Conditions	MIN.	TYP.	MAX.	Unit
Data retention supply voltage	V_{DDDR}		1.47 ^{Note}		3.6	V

Note The value depends on the POR detection voltage. When the voltage drops, the data is retained before a POR reset is effected, but data is not retained when a POR reset is effected.



2.8 Flash Memory Programming Characteristics

($T_A = -40$ to $+85^\circ\text{C}$, $1.8\text{ V} \leq EV_{DD0} \leq V_{DD} \leq 3.6\text{ V}$, $V_{SS} = EV_{SS0} = 0\text{ V}$)

Parameter	Symbol	Conditions	MIN.	TYP.	MAX.	Unit
CPU/peripheral hardware clock frequency	f_{CLK}	$1.8\text{ V} \leq V_{DD} \leq 3.6\text{ V}$	1		32	MHz
Number of code flash rewrites	C_{ENWR}	1 erase + 1 write after the erase is regarded as 1 rewrite. The retaining years are until next rewrite after the rewrite.	Retained for 20 years (Self/serial programming) ^{Note}	1,000		Times
Number of data flash rewrites			Retained for 1 years (Self/serial programming) ^{Note}		1,000,000	
			Retained for 5 years (Self/serial programming) ^{Note}	100,000		

Note When using flash memory programmer and Renesas Electronics self programming library

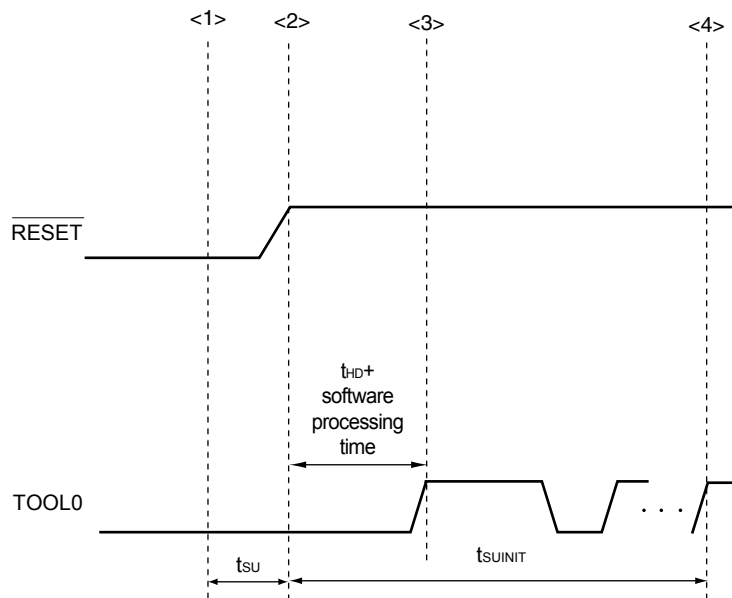
Remark When updating data multiple times, use the flash memory as one for updating data.

Caution The pins mounted depend on the product. Refer to 1.3.1 25-pin products to 1.3.4 64-pin products.

2.9 Timing Specs for Switching Modes

($T_A = -40$ to $+85^\circ\text{C}$, $1.8\text{ V} \leq EV_{DD0} \leq V_{DD} \leq 3.6\text{ V}$, $V_{SS} = EV_{SS0} = 0\text{ V}$)

Parameter	Symbol	Conditions	MIN.	TYP.	MAX.	Unit
How long from when a pin reset ends until the initial communication settings are specified	$t_{SUIINIT}$	POR and LVD reset must end before the pin reset ends.			100	ms
How long from when the TOOL0 pin is placed at the low level until a pin reset ends	t_{SU}	POR and LVD reset must end before the pin reset ends.	10			μs
How long the TOOL0 pin must be kept at the low level after a reset ends	t_{HD}	POR and LVD reset must end before the pin reset ends.	1			ms



- <1> The low level is input to the TOOL0 pin.
- <2> The pins reset ends (POR and LVD reset must end before the pin reset ends.).
- <3> The TOOL0 pin is set to the high level.
- <4> Setting of the flash memory programming mode by UART reception and complete the baud rate setting.

Remark $t_{SUIINIT}$: The segment shows that it is necessary to finish specifying the initial communication settings within 100 ms from when the external and internal resets end.

t_{SU} : How long from when the TOOL0 pin is placed at the low level until a pin reset ends

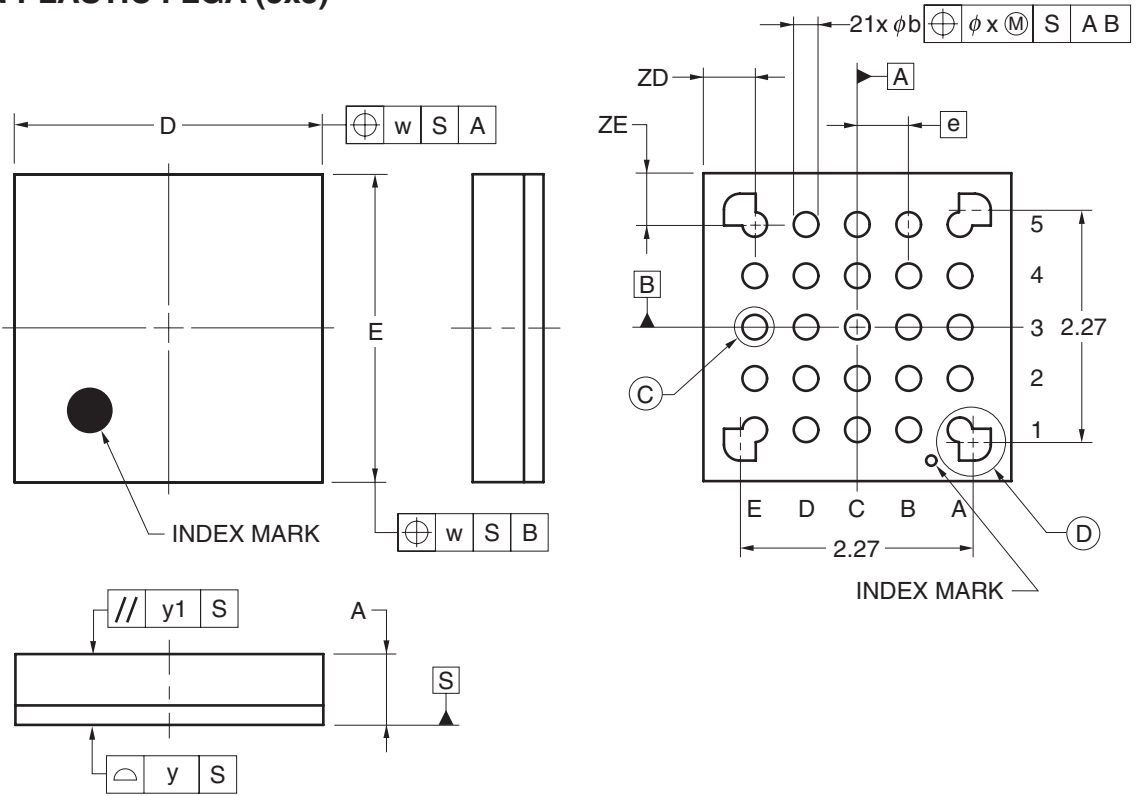
t_{HD} : How long to keep the TOOL0 pin at the low level from when the external and internal resets end

3. PACKAGE DRAWINGS

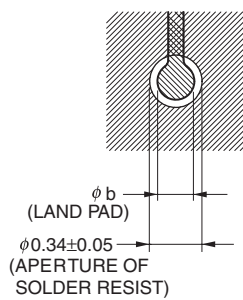
3.1 25-pin products

R5F10E8AALA, R5F10E8CALA, R5F10E8DALA, R5F10E8EALA

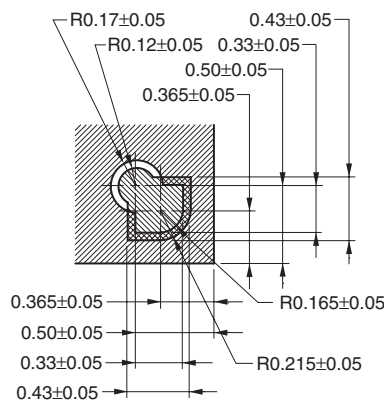
25-PIN PLASTIC FLGA (3x3)



DETAIL OF © PART



DETAIL OF Ⓓ PART



(UNIT:mm)

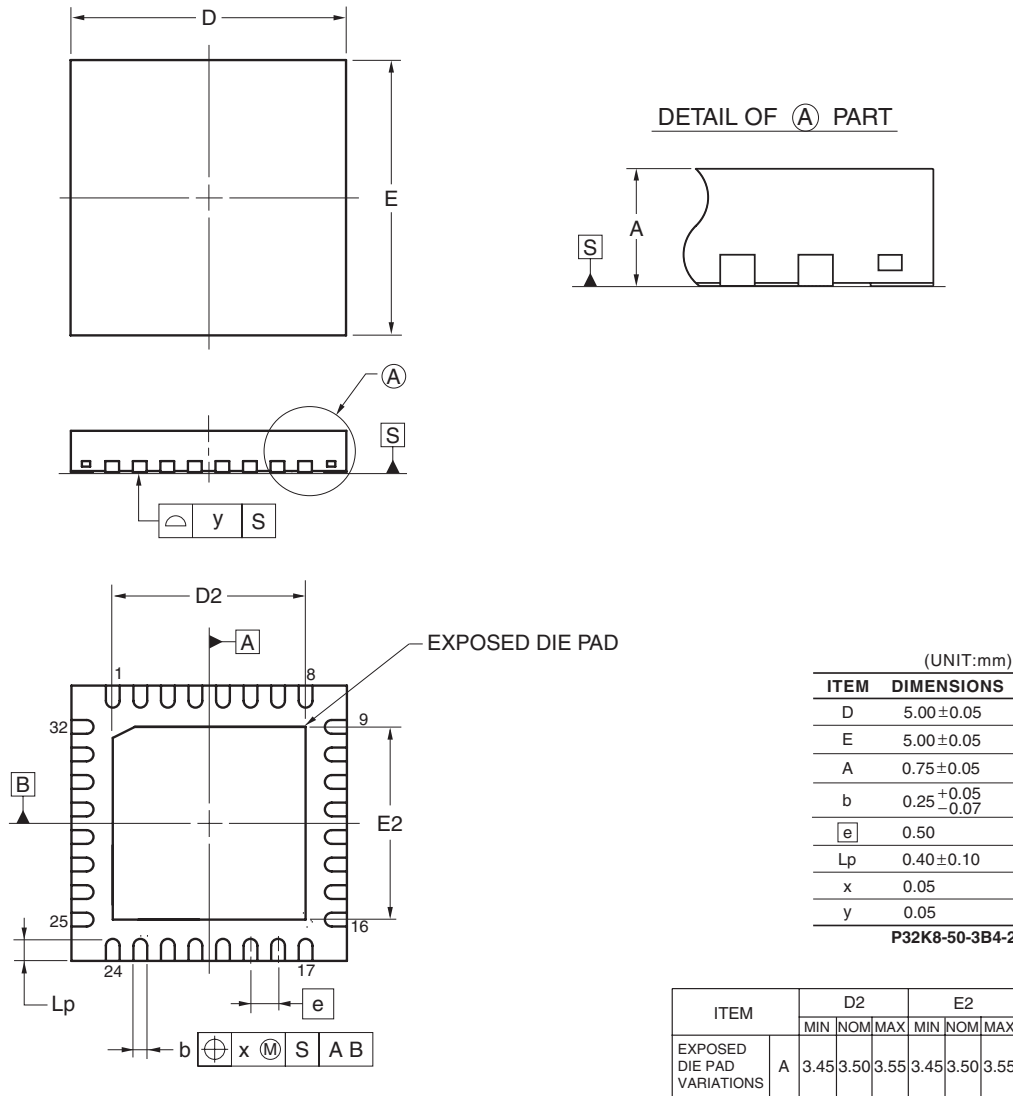
ITEM	DIMENSIONS
D	3.00±0.10
E	3.00±0.10
w	0.20
e	0.50
A	0.69±0.07
b	0.24±0.05
x	0.05
y	0.08
y1	0.20
ZD	0.50
ZE	0.50
P25FC-50-2N2-1	

©2010 Renesas Electronics Corporation. All rights reserved.

3.2 32-pin products

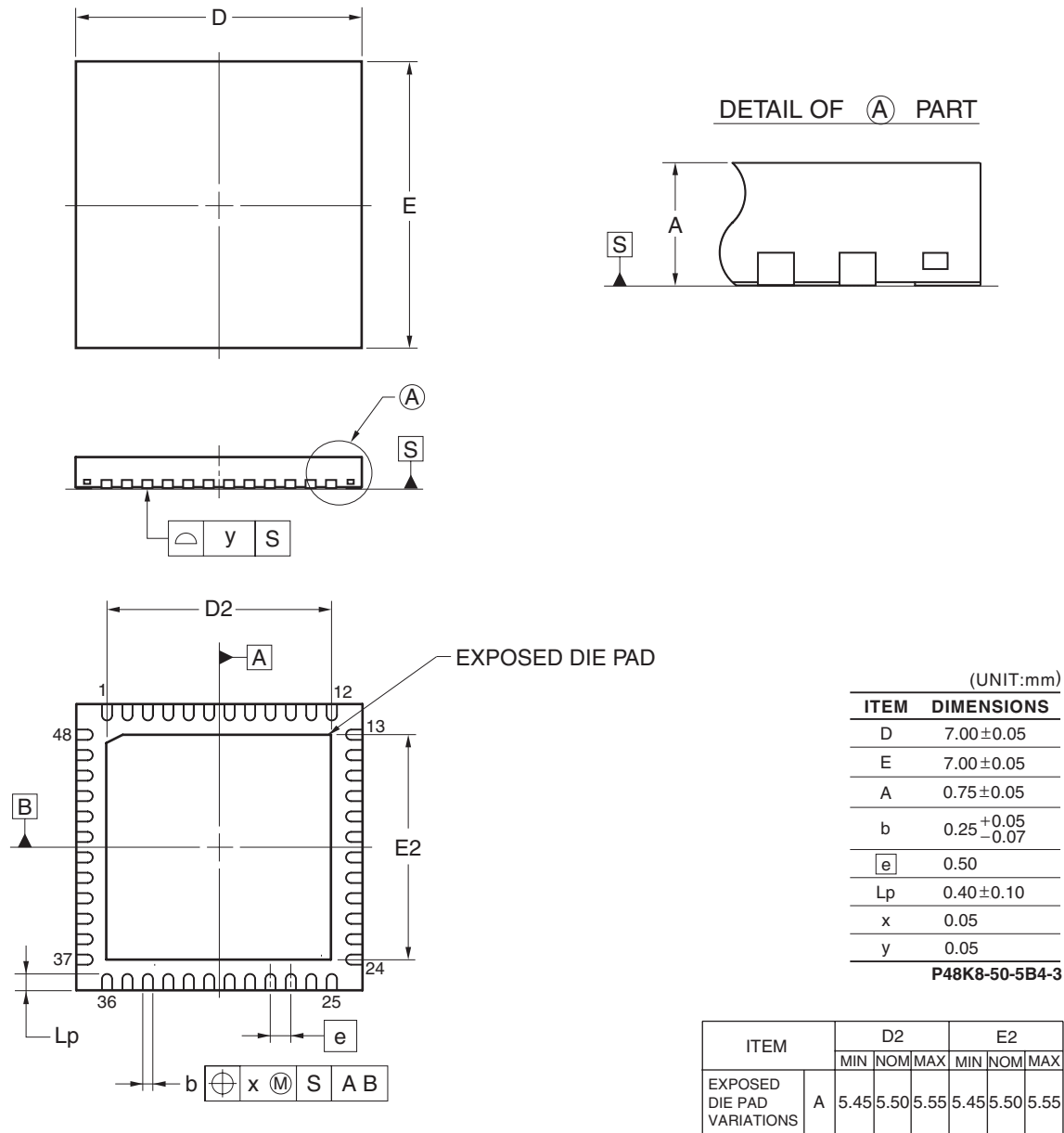
R5F10EBAANA, R5F10EBCANA, R5F10EBDANA, R5F10EBEANA

32-PIN PLASTIC WQFN(5x5)



R5F10EGAANA, R5F10EGCANA, R5F10EGDANA, R5F10EGEANA

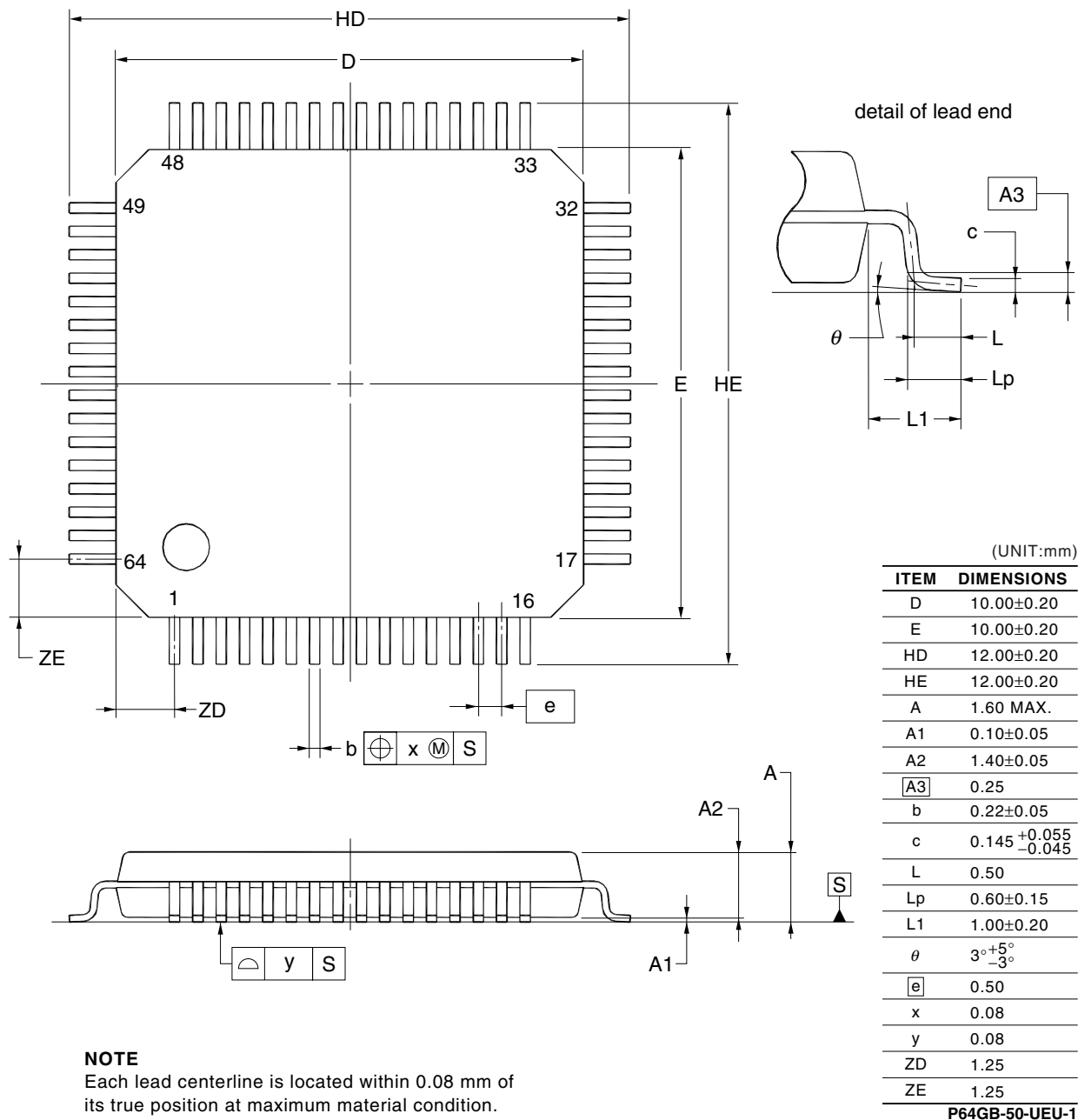
48-PIN PLASTIC WQFN(7x7)



3.4 64-pin products

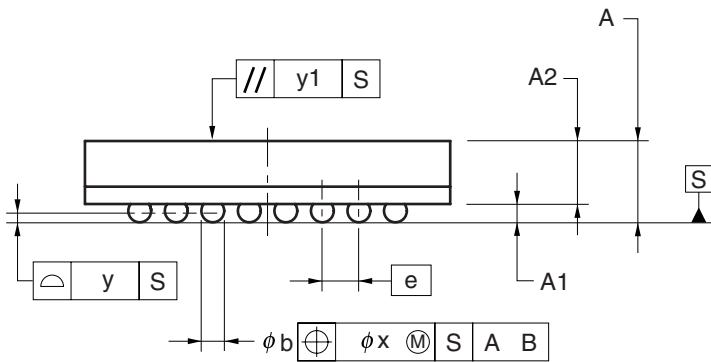
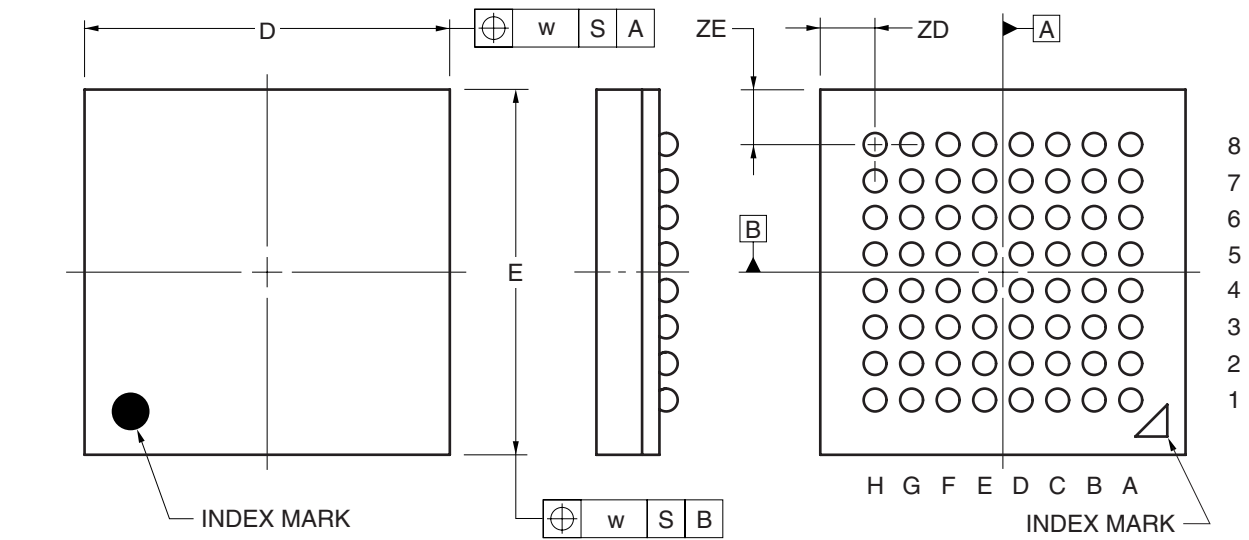
R5F10ELCAFB, R5F10ELDAFB, R5F10ELEAFB

64-PIN PLASTIC LQFP(FINE PITCH)(10x10)



R5F10ELCABG, R5F10ELDABG, R5F10ELEABG

64-PIN PLASTIC FBGA (4x4)



(UNIT:mm)

ITEM	DIMENSIONS
D	4.00±0.10
E	4.00±0.10
w	0.15
A	0.89±0.10
A1	0.20±0.05
A2	0.69
e	0.40
b	0.25±0.05
x	0.05
y	0.08
y1	0.20
ZD	0.60
ZE	0.60

P64F1-40-AA2-1

©2011 Renesas Electronics Corporation. All rights reserved.

Revision History	RL78/G1A Data Sheet
-------------------------	----------------------------

Rev.	Date	Description	
		Page	Summary
0.01	Dec 26, 2011	-	First Edition issued

SuperFlash is a registered trademark of Silicon Storage Technology, Inc. in several countries including the United States and Japan.

Caution: This product uses SuperFlash® technology licensed from Silicon Storage Technology, Inc.
--

All trademarks and registered trademarks are the property of their respective owners.

NOTES FOR CMOS DEVICES

- (1) **VOLTAGE APPLICATION WAVEFORM AT INPUT PIN:** Waveform distortion due to input noise or a reflected wave may cause malfunction. If the input of the CMOS device stays in the area between VIL (MAX) and VIH (MIN) due to noise, etc., the device may malfunction. Take care to prevent chattering noise from entering the device when the input level is fixed, and also in the transition period when the input level passes through the area between VIL (MAX) and VIH (MIN).
- (2) **HANDLING OF UNUSED INPUT PINS:** Unconnected CMOS device inputs can be cause of malfunction. If an input pin is unconnected, it is possible that an internal input level may be generated due to noise, etc., causing malfunction. CMOS devices behave differently than Bipolar or NMOS devices. Input levels of CMOS devices must be fixed high or low by using pull-up or pull-down circuitry. Each unused pin should be connected to VDD or GND via a resistor if there is a possibility that it will be an output pin. All handling related to unused pins must be judged separately for each device and according to related specifications governing the device.
- (3) **PRECAUTION AGAINST ESD:** A strong electric field, when exposed to a MOS device, can cause destruction of the gate oxide and ultimately degrade the device operation. Steps must be taken to stop generation of static electricity as much as possible, and quickly dissipate it when it has occurred. Environmental control must be adequate. When it is dry, a humidifier should be used. It is recommended to avoid using insulators that easily build up static electricity. Semiconductor devices must be stored and transported in an anti-static container, static shielding bag or conductive material. All test and measurement tools including work benches and floors should be grounded. The operator should be grounded using a wrist strap. Semiconductor devices must not be touched with bare hands. Similar precautions need to be taken for PW boards with mounted semiconductor devices.
- (4) **STATUS BEFORE INITIALIZATION:** Power-on does not necessarily define the initial status of a MOS device. Immediately after the power source is turned ON, devices with reset functions have not yet been initialized. Hence, power-on does not guarantee output pin levels, I/O settings or contents of registers. A device is not initialized until the reset signal is received. A reset operation must be executed immediately after power-on for devices with reset functions.
- (5) **POWER ON/OFF SEQUENCE:** In the case of a device that uses different power supplies for the internal operation and external interface, as a rule, switch on the external power supply after switching on the internal power supply. When switching the power supply off, as a rule, switch off the external power supply and then the internal power supply. Use of the reverse power on/off sequences may result in the application of an overvoltage to the internal elements of the device, causing malfunction and degradation of internal elements due to the passage of an abnormal current. The correct power on/off sequence must be judged separately for each device and according to related specifications governing the device.
- (6) **INPUT OF SIGNAL DURING POWER OFF STATE :** Do not input signals or an I/O pull-up power supply while the device is not powered. The current injection that results from input of such a signal or I/O pull-up power supply may cause malfunction and the abnormal current that passes in the device at this time may cause degradation of internal elements. Input of signals during the power off state must be judged separately for each device and according to related specifications governing the device.

Notice

- All information included in this document is current as of the date this document is issued. Such information, however, is subject to change without any prior notice. Before purchasing or using any Renesas Electronics products listed herein, please confirm the latest product information with a Renesas Electronics sales office. Also, please pay regular and careful attention to additional and different information to be disclosed by Renesas Electronics such as that disclosed through our website.
- Renesas Electronics does not assume any liability for infringement of patents, copyrights, or other intellectual property rights of third parties by or arising from the use of Renesas Electronics products or technical information described in this document. No license, express, implied or otherwise, is granted hereby under any patents, copyrights or other intellectual property rights of Renesas Electronics or others.
- You should not alter, modify, copy, or otherwise misappropriate any Renesas Electronics product, whether in whole or in part.
- Descriptions of circuits, software and other related information in this document are provided only to illustrate the operation of semiconductor products and application examples. You are fully responsible for the incorporation of these circuits, software, and information in the design of your equipment. Renesas Electronics assumes no responsibility for any losses incurred by you or third parties arising from the use of these circuits, software, or information.
- When exporting the products or technology described in this document, you should comply with the applicable export control laws and regulations and follow the procedures required by such laws and regulations. You should not use Renesas Electronics products or the technology described in this document for any purpose relating to military applications or use by the military, including but not limited to the development of weapons of mass destruction. Renesas Electronics products and technology may not be used for or incorporated into any products or systems whose manufacture, use, or sale is prohibited under any applicable domestic or foreign laws or regulations.
- Renesas Electronics has used reasonable care in preparing the information included in this document, but Renesas Electronics does not warrant that such information is error free. Renesas Electronics assumes no liability whatsoever for any damages incurred by you resulting from errors in or omissions from the information included herein.
- Renesas Electronics products are classified according to the following three quality grades: "Standard", "High Quality", and "Specific". The recommended applications for each Renesas Electronics product depends on the product's quality grade, as indicated below. You must check the quality grade of each Renesas Electronics product before using it in a particular application. You may not use any Renesas Electronics product for any application categorized as "Specific" without the prior written consent of Renesas Electronics. Further, you may not use any Renesas Electronics product for any application for which it is not intended without the prior written consent of Renesas Electronics. Renesas Electronics shall not be in any way liable for any damages or losses incurred by you or third parties arising from the use of any Renesas Electronics product for an application categorized as "Specific" or for which the product is not intended where you have failed to obtain the prior written consent of Renesas Electronics. The quality grade of each Renesas Electronics product is "Standard" unless otherwise expressly specified in a Renesas Electronics data sheets or data books, etc.
"Standard": Computers; office equipment; communications equipment; test and measurement equipment; audio and visual equipment; home electronic appliances; machine tools; personal electronic equipment; and industrial robots.
"High Quality": Transportation equipment (automobiles, trains, ships, etc.); traffic control systems; anti-disaster systems; anti-crime systems; safety equipment; and medical equipment not specifically designed for life support.
"Specific": Aircraft; aerospace equipment; submersible repeaters; nuclear reactor control systems; medical equipment or systems for life support (e.g. artificial life support devices or systems), surgical implantations, or healthcare intervention (e.g. excision, etc.), and any other applications or purposes that pose a direct threat to human life.
- You should use the Renesas Electronics products described in this document within the range specified by Renesas Electronics, especially with respect to the maximum rating, operating supply voltage range, movement power voltage range, heat radiation characteristics, installation and other product characteristics. Renesas Electronics shall have no liability for malfunctions or damages arising out of the use of Renesas Electronics products beyond such specified ranges.
- Although Renesas Electronics endeavors to improve the quality and reliability of its products, semiconductor products have specific characteristics such as the occurrence of failure at a certain rate and malfunctions under certain use conditions. Further, Renesas Electronics products are not subject to radiation resistance design. Please be sure to implement safety measures to guard them against the possibility of physical injury, and injury or damage caused by fire in the event of the failure of a Renesas Electronics product, such as safety design for hardware and software including but not limited to redundancy, fire control and malfunction prevention, appropriate treatment for aging degradation or any other appropriate measures. Because the evaluation of microcomputer software alone is very difficult, please evaluate the safety of the final products or system manufactured by you.
- Please contact a Renesas Electronics sales office for details as to environmental matters such as the environmental compatibility of each Renesas Electronics product. Please use Renesas Electronics products in compliance with all applicable laws and regulations that regulate the inclusion or use of controlled substances, including without limitation, the EU RoHS Directive. Renesas Electronics assumes no liability for damages or losses occurring as a result of your noncompliance with applicable laws and regulations.
- This document may not be reproduced or duplicated, in any form, in whole or in part, without prior written consent of Renesas Electronics.
- Please contact a Renesas Electronics sales office if you have any questions regarding the information contained in this document or Renesas Electronics products, or if you have any other inquiries.
(Note 1) "Renesas Electronics" as used in this document means Renesas Electronics Corporation and also includes its majority-owned subsidiaries.
(Note 2) "Renesas Electronics product(s)" means any product developed or manufactured by or for Renesas Electronics.



SALES OFFICES

Renesas Electronics Corporation

<http://www.renesas.com>

Refer to "<http://www.renesas.com/>" for the latest and detailed information.

Renesas Electronics America Inc.
2880 Scott Boulevard Santa Clara, CA 95050-2554, U.S.A.
Tel: +1-408-586-6000, Fax: +1-408-586-6130

Renesas Electronics Canada Limited
1101 Nicholson Road, Newmarket, Ontario L3Y 9C3, Canada
Tel: +1-905-898-5441, Fax: +1-905-898-3220

Renesas Electronics Europe Limited
Dukes Meadow, Millboard Road, Bourne End, Buckinghamshire, SL8 5FH, U.K.
Tel: +44-1628-585-100, Fax: +44-1628-585-900

Renesas Electronics Europe GmbH
Arcadiastrasse 10, 40472 Düsseldorf, Germany
Tel: +49-211-65030, Fax: +49-211-6503-1327

Renesas Electronics (China) Co., Ltd.
7th Floor, Quantum Plaza, No.27 ZhiChunLu Haidian District, Beijing 100083, P.R.China
Tel: +86-10-8235-1155, Fax: +86-10-8235-7679

Renesas Electronics (Shanghai) Co., Ltd.
Unit 204, 205, AZIA Center, No.1233 Lujiazui Ring Rd., Pudong District, Shanghai 200120, China
Tel: +86-21-5877-1818, Fax: +86-21-6887-7858 / -7898

Renesas Electronics Hong Kong Limited
Unit 1601-1613, 16/F., Tower 2, Grand Century Place, 193 Prince Edward Road West, Mongkok, Kowloon, Hong Kong
Tel: +852-2886-9318, Fax: +852 2886-9022/9044

Renesas Electronics Taiwan Co., Ltd.
7F, No. 363 Fu Shing North Road Taipei, Taiwan
Tel: +886-2-8175-9600, Fax: +886 2-8175-9670

Renesas Electronics Singapore Pte. Ltd.
1 HarbourFront Avenue, #06-10, Keppel Bay Tower, Singapore 098632
Tel: +65-6213-0200, Fax: +65-6276-8001

Renesas Electronics Malaysia Sdn.Bhd.
Unit 906, Block B, Menara Amcorp, Amcorp Trade Centre, No. 18, Jln Persiaran Barat, 46050 Petaling Jaya, Selangor Darul Ehsan, Malaysia
Tel: +60-3-7955-9390, Fax: +60-3-7955-9510

Renesas Electronics Korea Co., Ltd.
11F., Samik Lavied' or Bldg., 720-2 Yeoksam-Dong, Kangnam-Ku, Seoul 135-080, Korea
Tel: +82-2-558-3737, Fax: +82-2-558-5141