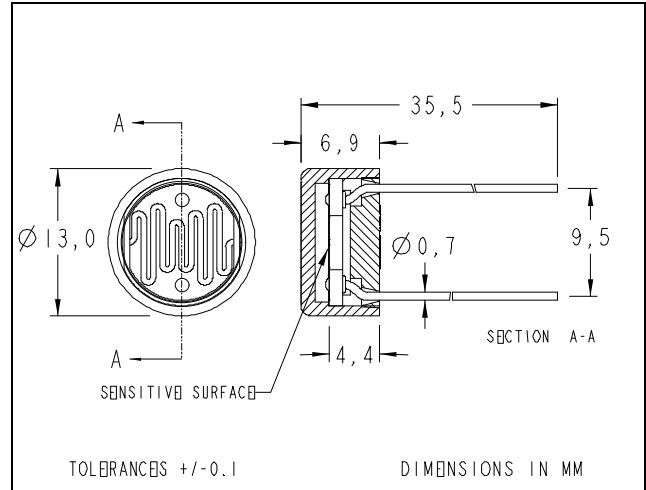
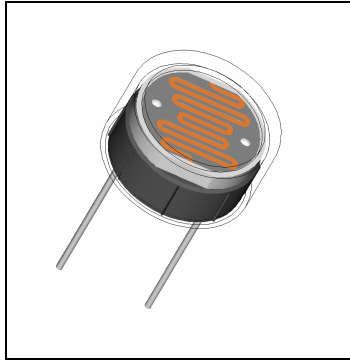




NORPS-12

CdS Photocell
Plastic Package



Description

The NORPS-12 is a CdS photoconductive cell with a spectral response similar to that of the human eye, encapsulated in a moisture-resistant coating and enclosed in a plastic casing.

Absolute Ratings Maximum

| | |
|-------------------------------|--------------|
| Operating Temperature | -60 to +75°C |
| Storage Temperature | -60 to +75°C |
| Voltage (peak AC or DC) | 250 Volts |
| Power Dissipation at 30°C (2) | 250mW |

Electrical Characteristics (T_A=25°C unless otherwise noted)

| Symbol | Parameter | Min. | Typ. | Max. | Units | Test Conditions |
|----------------|------------------|------|------|------|-------|--------------------------------------|
| R _L | Light Resistance | 5.4 | | 12.6 | kΩ | 1 ftc. (1) |
| R _D | Dark Resistance | 1.0 | | | MΩ | 15 sec. after removal of test light. |
| λ _P | Spectral Peak | | 550 | | nm | |

Specifications subject to change without notice

104510 REV 0

- Notes: (1) Cells light adapted at 30 to 50 ftc for 16 hrs minimum prior to electrical tests.
(2) Derate linearly to zero at 75°C.

5200 St. Patrick St., Montreal
Que., H4E 4N9, Canada
Tel: 514-768-8000
Fax: 514-768-8889

The Old Railway, Princes Street
Ulverston, Cumbria, LA12 7NQ, UK
Tel: 01 229 581 551
Fax: 01 229 581 554