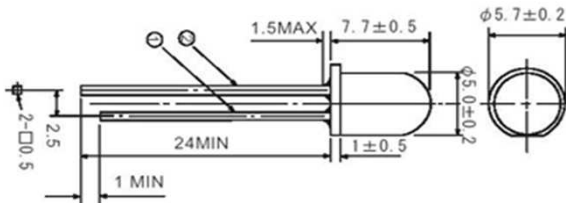


Product Data Sheet

LED Lamp UV MT5375-UV

Radiation	Type	Case
Ultra violet	resin mold packaged	5mm plastic lens

	<p>Description:</p> <p>Dimension in mm High power, high-speed, narrow beam angle, high reliability</p>
---	--

Maximum Ratings

T_{amb}= 25°C, unless otherwise specified

Parameter	Test Conditions	Symbol	Value	Unit
Forward Current		I _F	25	mA
Peak forward current	(d. c.<1/10, p. width<0.1msec)	I _{FM}	100	mA
Reverse voltage	I _R = 100 μA	I _R	85	mA
Power dissipation		P _D	100	mW
Operating temp. range		T _{amb}	-30 to +80	°C
Storage temp. range		T _{stg}	-30 to +85	°C
Lead soldering temp.	< 5s, 3mm from case	T _{slg}	260	°C

Optical and Electrical Characteristics

T_{amb}= 25°C, unless otherwise specified

Parameter	Symbol	Conditions	Min	typ	max	Unit
Forward voltage	V _F	I _F = 20mA	3.0	3.6	4.2	V
Radiant Power	Φ _e	I _F = 20mA		14		mW
Peak wavelength	λ _p	I _F = 20mA	375		380	nm
Viewing angle	φ	I _F = 20mA		15		deg.
Spectral bandwidth at 50%	Δλ _{0,5}	I _F = 20mA		15		nm