

**PLEASE CHECK WWW.MOLEX.COM FOR LATEST PART INFORMATION**

**Part Number:** [0359790212](#)  
**Status:** **Active**  
**Description:** 7.92mm (.312") Pitch Wire-to-Board Header, Vertical, 2 Circuits, Red, Nylon

**Documents:**

[3D Model](#) [Product Specification PS-35979-001 \(PDF\)](#)  
[Drawing \(PDF\)](#) [RoHS Certificate of Compliance \(PDF\)](#)

**Agency Certification**

CSA	LR19980
TUV	R72090224
UL	E29179

**General**

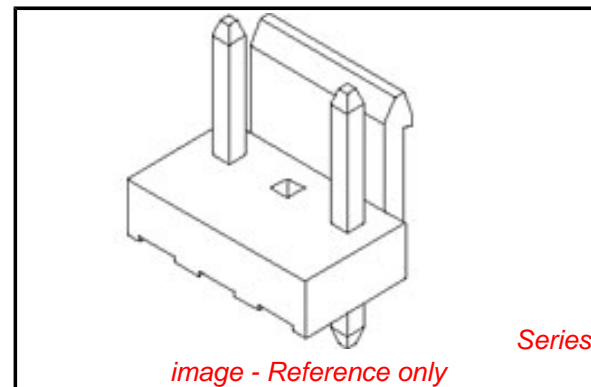
Product Family	PCB Headers
Series	<a href="#">35979</a>
Application	Wire-to-Board
Product Name	N/A

**Physical**

Breakaway	No
Circuits (Loaded)	2
Circuits (maximum)	2
Color - Resin	Red
Durability (mating cycles max)	30
First Mate / Last Break	No
Flammability	94V-0
Glow-Wire Compliant	No
Guide to Mating Part	No
Keying to Mating Part	None
Lock to Mating Part	Yes
Material - Plating Mating	Tin
Material - Plating Termination	Tin
Material - Resin	Nylon
Number of Rows	1
Orientation	Vertical
PC Tail Length (in)	0.146 In
PC Tail Length (mm)	3.70 mm
PCB Locator	No
PCB Retention	None
PCB Thickness Recommended (in)	0.062 In
PCB Thickness Recommended (mm)	1.60 mm
Packaging Type	Bag
Pitch - Mating Interface (in)	0.312 In
Pitch - Mating Interface (mm)	7.92 mm
Polarized to Mating Part	No
Polarized to PCB	No
Shrouded	No
Stackable	Yes
Surface Mount Compatible (SMC)	No
Temperature Range - Operating	-25°C to +85°C
Termination Interface: Style	Through Hole

**Electrical**

Current - Maximum per Contact	7A
Voltage - Maximum	250V



*image - Reference only*

**EU RoHS**

**ELV and RoHS  
Compliant**  
**REACH SVHC**  
 Not Reviewed  
**Halogen-Free  
Status**

**China RoHS**



**Need more information on product  
environmental compliance?**

Email [productcompliance@molex.com](mailto:productcompliance@molex.com)  
 For a multiple part number RoHS Certificate of Compliance, [click here](#)

Please visit the [Contact Us](#) section for any non-product compliance questions.

**Search Parts in this Series**

[35979Series](#)

**Mates With**

[35977 Wire-to-Board Housing](#)

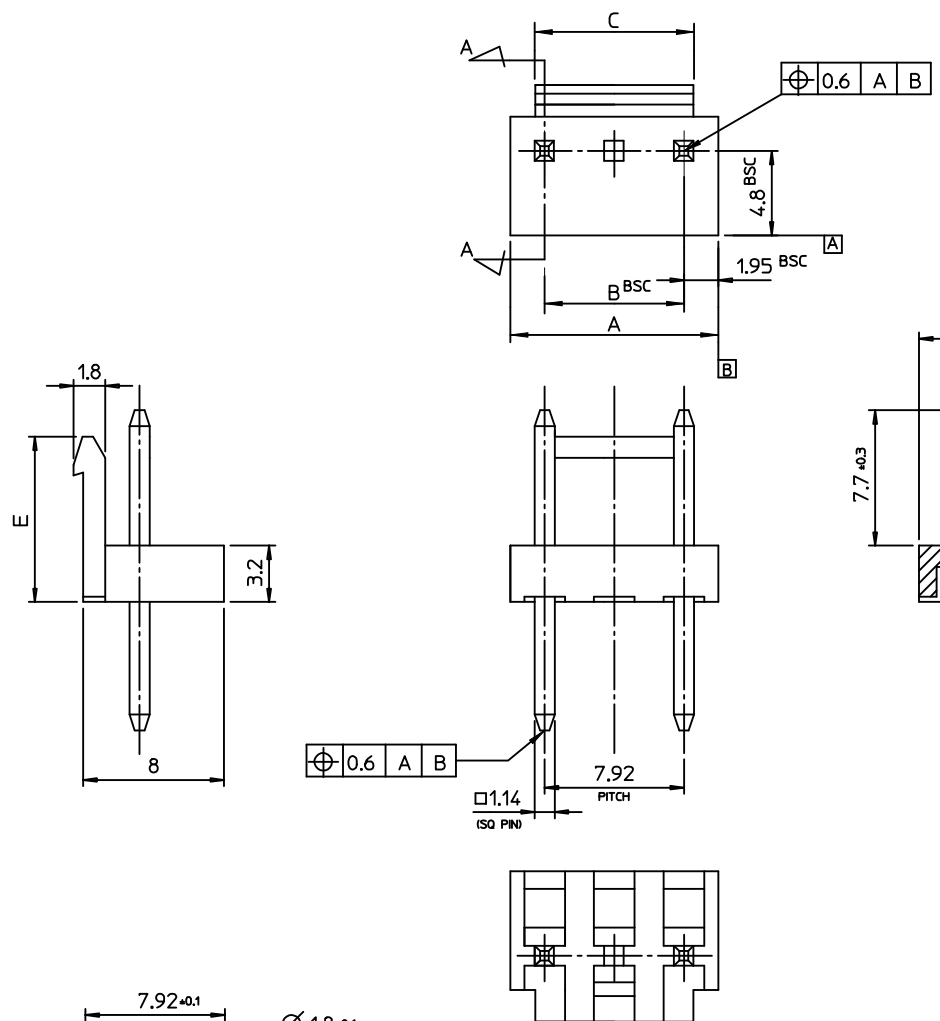
**Material Info**

**Reference - Drawing Numbers**

Packaging Specification	PK-35979-001
Product Specification	PS-35979-001
Sales Drawing	SD-35979-001

This document was generated on 05/21/2010

**PLEASE CHECK [WWW.MOLEX.COM](http://WWW.MOLEX.COM) FOR LATEST PART INFORMATION**



**NOTES**

- MATERIAL : HEADER -PA66, ①PC/PET  
PIN : BRASS(CDA 2700)
- FINISHES : PIN  
THICKNESS - TIN PLATED 3.0 MICROMETER MIN.  
OVER Cu 1.5 MICROMETER MIN.
- PRODUCT SPECIFICATION : PS-35979-001

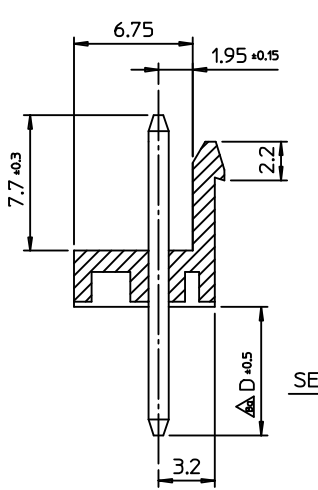
**LEGEND**

35979-\*\*\*\*

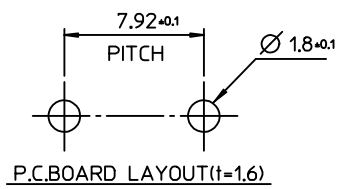
- COLOR : 0 - WHITE
- 1 - BLACK
- 2 - RED
- 3 - YELLOW
- 4 - BLUE

PIN LENGTH : 1 - SHORT PIN (PA66) ①4 - SHORT PIN (PC/PET)  
3 - LONG PIN (PA66) ①6 - LONG PIN (PC/PET)

CIRCUIT NO. (02,03,04...)



9.4	3.7	56.50	55.44	59.40	3597908**	35979-08**	8	15
		48.58	47.52	51.48	3597907**	35979-07**	7	13
3.7	3.7	40.66	39.60	43.56	3597906**	35979-06**	6	11
		32.74	31.68	35.64	3597905**	35979-05**	5	9
		24.82	23.76	27.72	3597904**	35979-04**	4	7
		16.90	15.84	19.80	3597903**	35979-03**	3	5
9.7	11.4	8.98	7.92	11.88	3597902**	35979-02**	2	3
		8.98	7.92	11.88	3597902**	35979-02**	2	3
E	D	C	B	A	MAT'L NO	ENG NO.	CKT	N



**REVISED**

EC NO: KOR2009-0137  
 DRWN: JHPARK01 2009/05/21  
 CHKD: WY. YANG 2009/05/21  
 APPR: YUNS.IKK.I.M 2009/05/22

DESCRIPTION

QUALITY SYMBOLS

▽=0  
 ▽=0

GENERAL TOLERANCES (UNLESS SPECIFIED)

	mm	INCH
4 PLACES	±---	±---
3 PLACES	±---	±---
2 PLACES	±---	±---
1 PLACE	±0.30	±---

ANGULAR ± 2 °

DRAFT WHERE APPLICABLE  
MUST REMAIN  
WITHIN DIMENSIONS

DIMENSION STYLE: MM ONLY

SCALE: 3:1

DESIGN UNITS: METRIC

THIRD ANGLE PROJECTION

DRAWN BY: YURI.WI DATE: 1999/05/07

CHECKED BY: J.K.OH DATE: 1999/05/07

APPROVED BY: C.W.LEE DATE: 1999/05/07

TITLE: 7.92 PITCH W-T-B CONN. HEADER ASS'Y

MATERIAL NO. SEE TABLE

DOCUMENT NO. SD-35979-001

SHEET NO. 1 OF 01

THIS DRAWING CONTAINS INFORMATION THAT IS PROPRIETARY TO MOLEX INCORPORATED AND SHOULD NOT BE USED WITHOUT WRITTEN PERMISSION