

PLEASE CHECK WWW.MOLEX.COM FOR LATEST PART INFORMATION

Part Number: **0751962504**
Status: **Active**
Overview: vhdm_hsd
Description: 2.00mm (.079") Pitch 6-Row VHDM® Lite Backplane Header, Right Shield End Version, 6 Row, 150 Circuits, Pin Length 5.15mm (.203")

Documents:

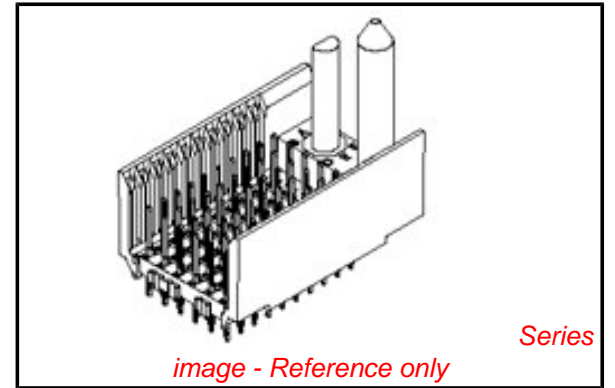
[Drawing \(PDF\)](#) [RoHS Certificate of Compliance \(PDF\)](#)
[Product Specification PS-74031-999 \(PDF\)](#)

General

Product Family	Backplane Connectors
Series	75196
Application	Backplane
Application Tooling Documents	Tooling Manual
Comments	No Keying Position
Component Type	PCB Header
Overview	vhdm_hsd
Product Name	VHDM Lite®
Style	N/A

Physical

Circuits (Loaded)	150
Circuits (maximum)	150
Color - Resin	Black
Durability (mating cycles max)	200
First Mate / Last Break	No
Guide to Mating Part	Yes
Keying to Mating Part	None
Material - Metal	High Performance Alloy (HPA), Stainless Steel
Material - Plating Mating	Gold
Material - Plating Termination	Tin-Lead
Material - Resin	High Temperature Thermoplastic
Number of Columns	25
Number of Pairs	Open Pin Field
Number of Rows	6
Orientation	Vertical
PC Tail Length (in)	0.098 In
PC Tail Length (mm)	2.50 mm
PCB Locator	No
PCB Retention	Yes
PCB Thickness Recommended (in)	0.071 In
PCB Thickness Recommended (mm)	1.80 mm
Packaging Type	Tube
Pitch - Mating Interface (in)	0.079 In
Pitch - Mating Interface (mm)	2.00 mm
Pitch - Term. Interface (in)	0.079 In
Pitch - Term. Interface (mm)	2.00 mm
Plating min: Mating (µin)	30
Plating min: Mating (µm)	0.75
Plating min: Termination (µin)	30
Plating min: Termination (µm)	0.75
Polarized to PCB	No
Stackable	No
Surface Mount Compatible (SMC)	Yes



EU RoHS

RoHS Compliant by Exemption
REACH SVHC
Contains SVHC: No
Halogen-Free
Status
Not Reviewed

China RoHS



Need more information on product environmental compliance?

Email productcompliance@molex.com
 For a multiple part number RoHS Certificate of Compliance, [click here](#)

Please visit the [Contact Us](#) section for any non-product compliance questions.

Search Parts in this Series

75196Series

Mates With

75189 VHDM® Lite Board-to-Board Daughtercard

Use With

Backplane Modules

Application Tooling | FAQ

Tooling specifications and manuals are found by selecting the products below. Crimp Height Specifications are then contained in the Application Tooling Specification document.

Global

Description	Product #
VHDM® Signal Pin Inserter Repair Tool	0622015700
VHDM® Insertion Module for Standard Shield Signal Header, 6 Row by	0622020208

Temperature Range - Operating
Termination Interface: Style

105°C
Through Hole - Compliant Pin

25 Wide, 50.00mm
(1.97")

Electrical

Current - Maximum per Contact 1A
Data Rate 622.0 Mbps
Real Signals (per 25mm) 75
Shielded No
Voltage - Maximum 120V AC (RMS)/DC

Material Info

Reference - Drawing Numbers

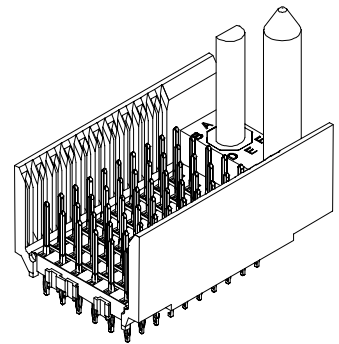
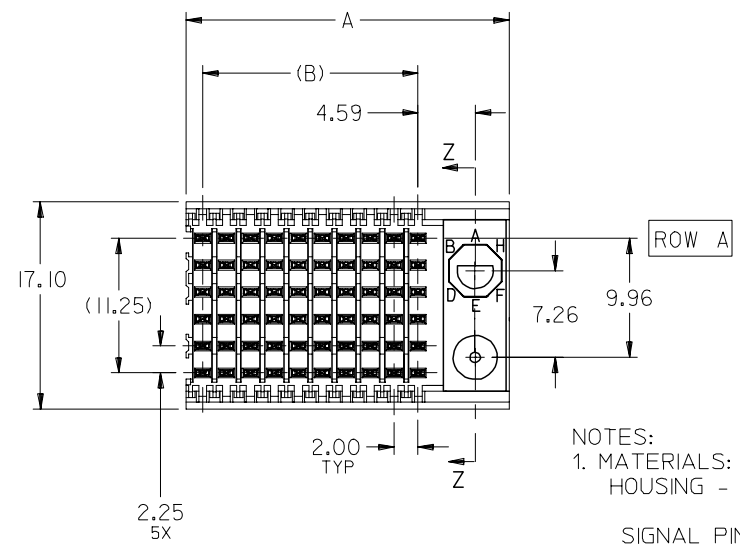
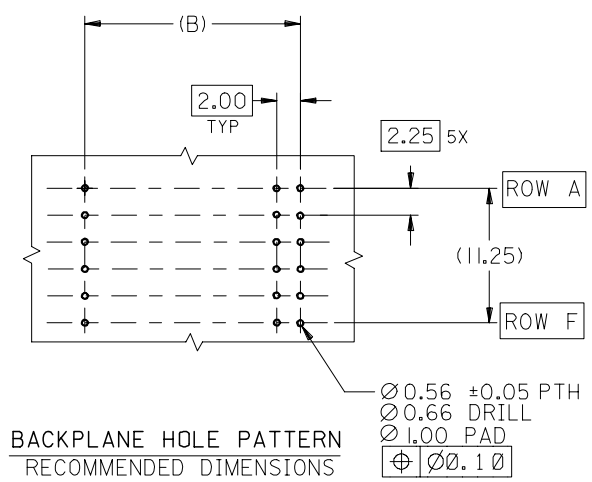
Product Specification PS-74031-999
Sales Drawing SD-75196-001

VHDM and Very High Density Metric are trademarks of Amphenol Corporation

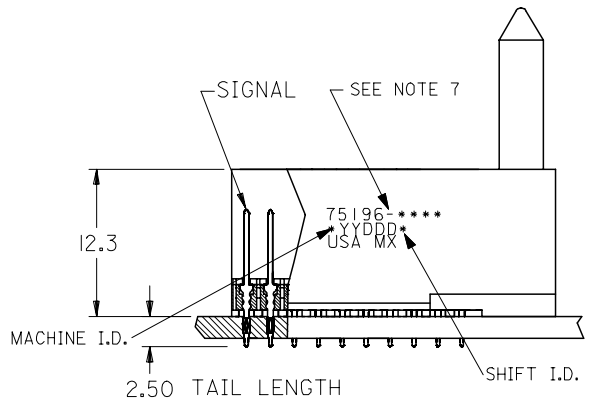
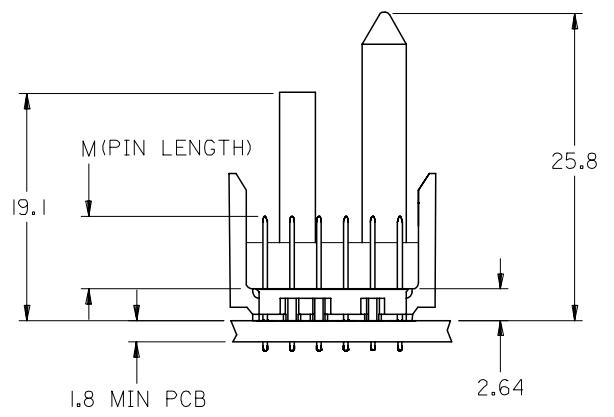
This document was generated on 05/28/2010

PLEASE CHECK WWW.MOLEX.COM FOR LATEST PART INFORMATION

10 9 8 7 6 5 4 3 2 1



- NOTES:
- MATERIALS:
HOUSING - LIQUID CRYSTAL POLYMER (LCP),
GLASS-FILLED, UL 94V-0, COLOR: BLACK
SIGNAL PIN - COPPER ALLOY
 - FINISHES:
CONTACT AREA: SELECTIVE GOLD (Au)
PCB TAILS: SELECTIVE TIN/LEAD (Sn/Pb)
OR SELECTIVE MATTE TIN (Sn)
NICKEL (Ni) OVERALL.
 - THIS PART CONFORMS TO MOLEX PRODUCT SPECIFICATION PS-74031-999
 - FOR MIXED CONTACT LENGTHS CONSULT MOLEX FOR AVAILABILITY
 - FOR SPECIFIC MATERIAL NUMBERS & MATING INFORMATION REFER TO SHEET 2
 - PACKAGE PER PK-74058-003
 - EITHER MARK PART WITH PART NUMBER & DATE CODE APPROXIMATELY WHERE SHOWN OR PLACE LABEL ON THE TUBE.



ADD LEADFREE PINS EC NO: UCP2006-0059 DRWN: KMILVEY 2005/07/13 CHKD: 2005/07/13 APPR: SREED 2005/07/15	QUALITY SYMBOLS ▽=0 ▽=0	GENERAL TOLERANCES (UNLESS SPECIFIED)		DIMENSION STYLE MM ONLY	SCALE 2.5:1	DESIGN UNITS METRIC	THIRD ANGLE PROJECTION	
		4 PLACES ± --- ± ---	3 PLACES ± --- ± ---	DRAWN BY MBANDURA	DATE 2003/01/17	TITLE VHDM LITE 6 ROW SHIELD END BACKPLANE SALES ASSEMBLY		
		2 PLACES ± --- ± ---	1 PLACE ± --- ± ---	CHECKED BY NMARTIN	DATE 2003/01/17	MOLEX MOLEX INCORPORATED		
		ANGULAR ±1/2°		APPROVED BY CBIXLER	DATE 2003/01/17	MATERIAL NO. SEE SHEET 2	DOCUMENT NO. SD-75196-001	SHEET NO. 1 OF 2
DRAFT WHERE APPLICABLE MUST REMAIN WITHIN DIMENSIONS		THIS DRAWING CONTAINS INFORMATION THAT IS PROPRIETARY TO MOLEX INCORPORATED AND SHOULD NOT BE USED WITHOUT WRITTEN PERMISSION						

9 8 7 6 5 4 3 2 1

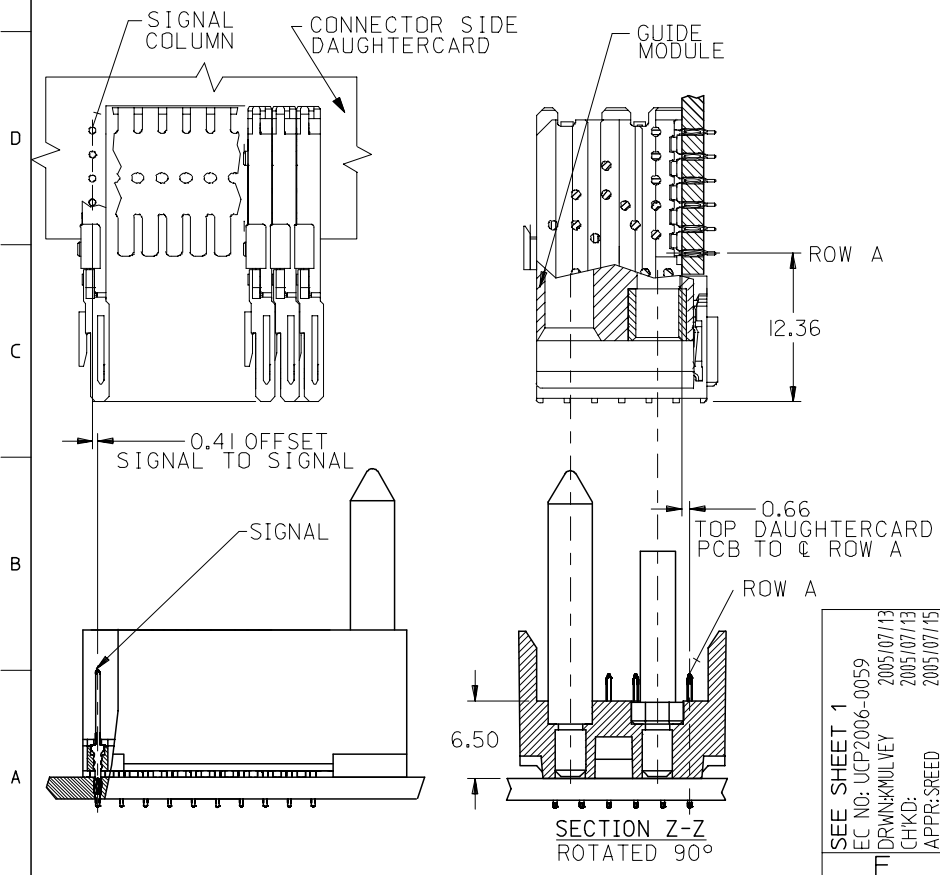
10 9 8 7 6 5 4 3 2 1

M/N 75196-()	---0*	---1*	---2*	---3*	---4*	---5*	---6*	---7*	---8*
KEYING PIN ORIENTATION	O	A	B	C	D	E	F	G	H

75196 - * * * *

NUMBER OF COLUMNS/PLATING
 10 = 10 COLUMN TIN/LEAD
 25 = 25 COLUMN TIN/LEAD
 90 = 10 COLUMN MATTE TIN
 85 = 25 COLUMN MATTE TIN

CONTACT LOAD
 (PIN HEIGHT)
 1 = 4.75
 2 = 6.25
 3 = 4.25
 4 = 5.15



PART NUMBER	COLUMN	NUMBER OF SIGNAL PIN	NUMBER OF SHIELD	A	B	M	Au (um) THICKNESS	Sn (um) THICKNESS
75196-*0*1	10	60	0	27.00	18.00	4.75	0.76	0.76-1.52
75196-*5*1	25	150	0	57.00	48.00	4.75	0.76	
75196-*0*2	10	60	0	27.00	18.00	6.25	0.76	
75196-*5*2	25	150	0	57.00	48.00	6.25	0.76	
75196-*0*3	10	60	0	27.00	18.00	4.25	0.76	
75196-*5*3	25	150	0	57.00	48.00	4.25	0.76	
75196-*0*4	10	60	0	27.00	18.00	5.15	0.76	
75196-*5*4	25	150	0	57.00	48.00	5.15	0.76	

SEE SHEET 1 EC NO: UCP2006-0059 DRWN: KMILVEY CHKD: 2005/07/13 APPR: SREED 2005/07/15	QUALITY SYMBOLS	GENERAL TOLERANCES (UNLESS SPECIFIED)	DIMENSION STYLE MM ONLY	SCALE 2.5:1	DESIGN UNITS METRIC	THIRD ANGLE PROJECTION
	▽=0	4 PLACES ± --- ± ---	DRAWN BY MBANDURA	DATE 2003/01/17	TITLE VHDM LITE 6 ROW SHIELD END BACKPLANE SALES ASSEMBLY MOLEX INCORPORATED	
	▽=0	3 PLACES ± --- ± ---	CHECKED BY NMARTIN	DATE 2003/01/17		
		2 PLACES ± --- ± ---	APPROVED BY CBIXLER	DATE 2003/01/17		
	1 PLACE ± --- ± ---	MATERIAL NO. SEE CHART	DOCUMENT NO. SD-75196-001			
		ANGULAR ±1/2°	SIZE B	THIS DRAWING CONTAINS INFORMATION THAT IS PROPRIETARY TO MOLEX INCORPORATED AND SHOULD NOT BE USED WITHOUT WRITTEN PERMISSION		
		DRAFT WHERE APPLICABLE MUST REMAIN WITHIN DIMENSIONS				SHEET NO. 2 OF 2

9 8 7 6 5 4 3 2 1