

microSD/TF Card Connector

FCN-260 Series

RoHS compliant

microSD is currently the world's smallest memory card storage system, specifically designed for use with ultra-small mobile phones and other devices. Like the miniSD, the microSD/TransFlash is ideal for use in storing media-rich files such as music, videos, and photographs in compatible mobile phones.

Fujitsu's microSD connector offers the lowest profile height (1.65mm) currently available in the market.

Featuring Fujitsu's precise and insert molding technology, the FCN-560 series micro SD connector measures 15mm (D) x 14mm (W) x 1.6mm (H) and has a life cycle of ten thousand insertions/withdrawals.

Fujitsu's connector uses a proprietary push-push structure that provides positive tactile feedback during card insertion and withdrawal.

A card drop protection mechanism prevents the card from falling out during pre-insertion and forced card extraction after it's locked in. When ejected, the card travels 3.5mm from its locked position.



FEATURES

- Reduction in seize and weight (15 (D) x 14 (W) x 1.65 (H)mm) with unique push-push structure
- Half-lock to prevent forced card extraction, good operability with sense of click for insertion
- Smooth card inserion/withdrawl with unique drop-protection mechanism
- With card detections switch
- Card ejection distance 3.5mm
- FCN-568Z008-G/0M

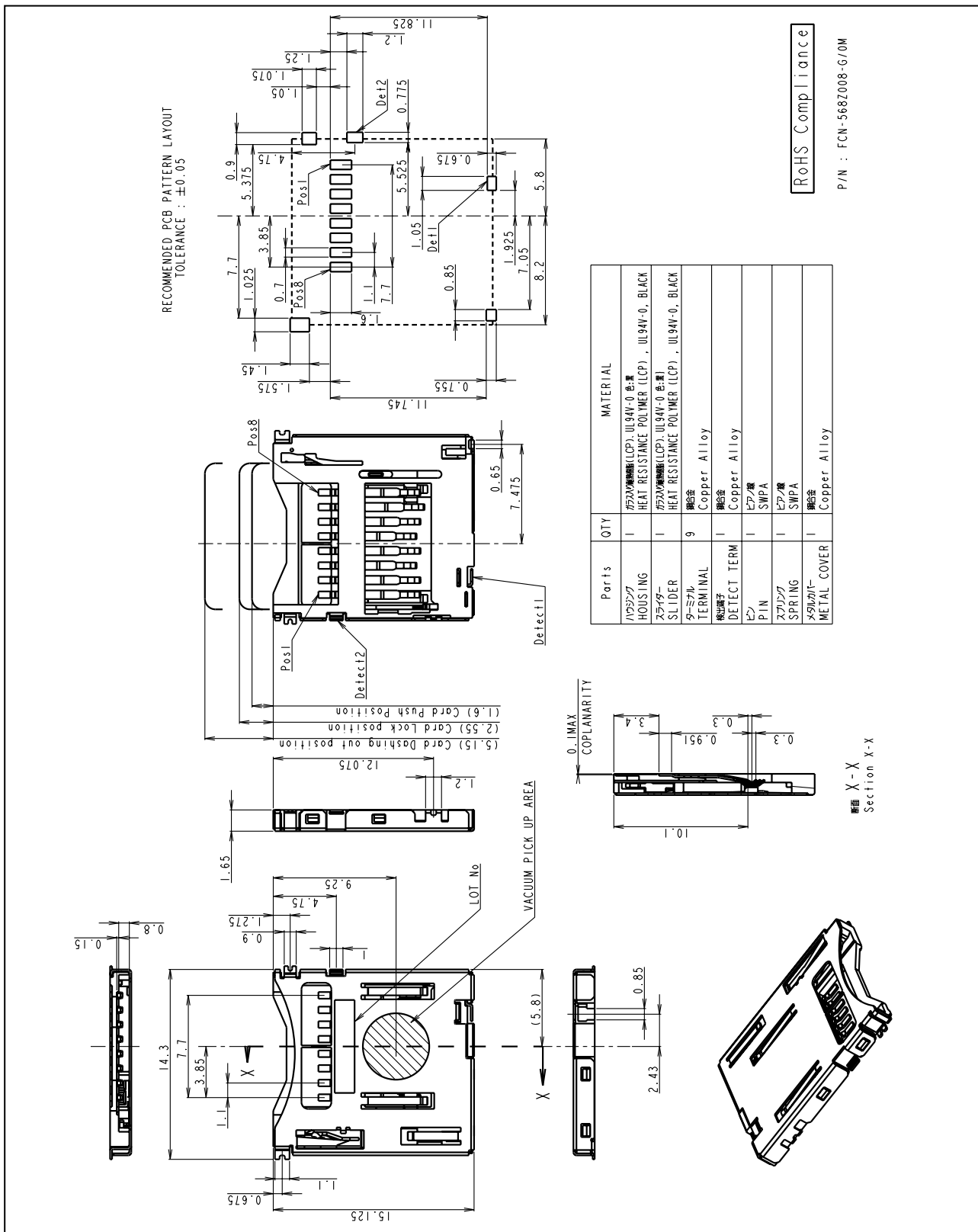
Item	Specification
Operating temperature range	-20°C to +70°C
Current rating	AC 0.5A
Voltage rating	AC/DC 5V
Contact resistance	100mΩ maximum
Dielectric withstanding voltage	AC 500V for 1 minute
Insertion/Withdrawl life	10,000 cycles

Item	Specification
Insulating material	LCP, UL94 V-0
Contact	Copper Alloy Plating NiPdAu
Pin / Spring	SWPA
Metal Cover	Stainless steel

Tape and reel: 1, 500 pcs/reel

microSD/TF Card Connector

SPECIFICATIONS



RECOMMENDED PCB PATTERN LAYOUT
TOLERANCE : ±0.05

- (5.15) Card Dashing out position
- (2.55) Card Lock position
- (1.6) Card Push Position

Parts	QTY	MATERIAL
ハウジング	1	ポリイミド HEAT RESISTANCE POLYMER (LCP), UL94V-0 色:黒
スライダー	1	ポリイミド HEAT RESISTANCE POLYMER (LCP), UL94V-0 色:黒
ターミナル	9	銅合金 Copper Alloy
検出端子	1	銅合金 Copper Alloy
DETCT TERM	1	ヒツノ液
PIN	1	SWPA
スプリング	1	ヒツノ液
メタルカバー	1	銅合金 Copper Alloy

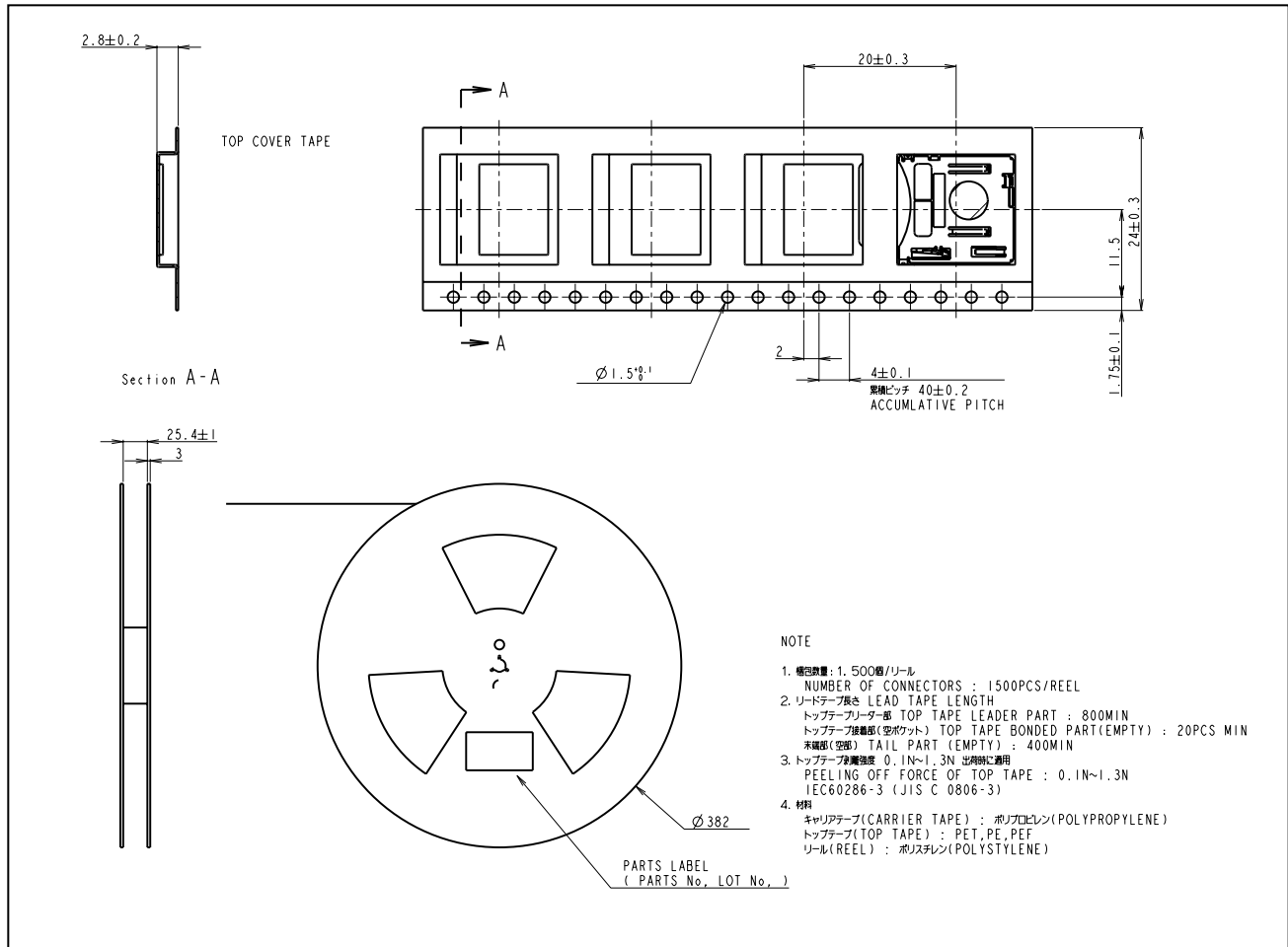
RoHS Compliance

P/N : FCN-5882008-G/0M

断面 X-X
Section X-X

microSD/TF Card Connector

SPECIFICATIONS



Fujitsu Components International Headquarter Offices

Japan

Fujitsu Component Limited
Gotanda-Chuo Building
3-5, Higashigotanda 2-chome, Shinagawa-ku
Tokyo 141 8630, Japan
Tel: (81-3) 5449-7010
Fax: (81-3) 5449-2626
Email: promothq@fcl.fujitsu.com
Web: www.fcl.fujitsu.com

North and South America

Fujitsu Components America, Inc.
250 E. Caribbean Drive
Sunnyvale, CA 94089 U.S.A.
Tel: (1-408) 745-4900
Fax: (1-408) 745-4970
Email: components@us.fujitsu.com
Web: <http://us.fujitsu.com/components/>

Europe

Fujitsu Components Europe B.V.
Diamantlaan 25
2132 WV Hoofddorp
Netherlands
Tel: (31-23) 5560910
Fax: (31-23) 5560950
Email: info@fceu.fujitsu.com
Web: emea.fujitsu.com/components/

Asia Pacific

Fujitsu Components Asia Ltd.
102E Pasir Panjang Road
#01-01 Citilink Warehouse Complex
Singapore 118529
Tel: (65) 6375-8560
Fax: (65) 6273-3021
Email: fcail@fcail.fujitsu.com
Web: <http://www.fujitsu.com/sg/services/micro/components/>

©2007 Fujitsu Components America, Inc. All rights reserved. All trademarks or registered trademarks are the property of their respective owners.

Fujitsu Components America or its affiliates do not warrant that the content of datasheet is error free. In a continuing effort to improve our products Fujitsu Components America, Inc. or its affiliates reserve the right to change specifications/datasheets without prior notice.
Rev. April 26, 2007.