

**PLEASE CHECK WWW.MOLEX.COM FOR LATEST PART INFORMATION**

**Part Number:** [051111110](#)  
**Status:** **Active**  
**Description:** 2.50mm (.098") Pitch Wire-to-Wire and Wire-to-Board Receptacle Housing, without Retainer, 11 Circuits

**Documents:**

|  |  |
|--|--|
| <a href="#">3D Model</a>                                 | <a href="#">Product Specification PS-51111-002 (PDF)</a> |
| <a href="#">Drawing (PDF)</a>                            | <a href="#">Product Specification PS-51111-003 (PDF)</a> |
| <a href="#">Product Specification PS-51111-001 (PDF)</a> | <a href="#">RoHS Certificate of Compliance (PDF)</a>     |

**Agency Certification**

|     |         |
|-----|---------|
| CSA | LR19980 |
| UL  | E29179  |

**General**

|                |                       |
|----------------|-----------------------|
| Product Family | Crimp Housings        |
| Series         | <a href="#">51111</a> |
| Product Name   | N/A                   |

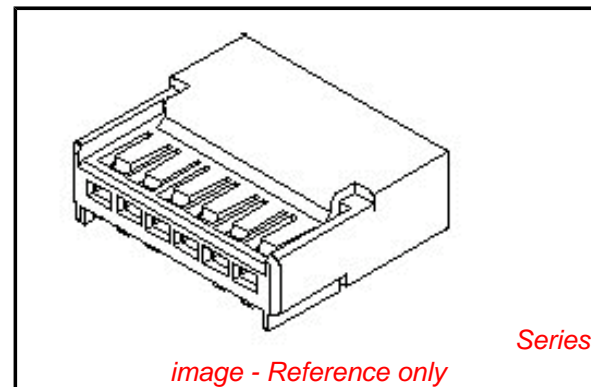
**Physical**

|                               |                 |
|-------------------------------|-----------------|
| Circuits (maximum)            | 11              |
| Color - Resin                 | Natural         |
| Flammability                  | 94V-0           |
| Gender                        | Female          |
| Glow-Wire Compliant           | No              |
| Material - Resin              | Polyester       |
| Number of Rows                | 1               |
| Packaging Type                | Bag             |
| Panel Mount                   | No              |
| Pitch - Mating Interface (in) | 0.098 In        |
| Pitch - Mating Interface (mm) | 2.50 mm         |
| Stackable                     | No              |
| Temperature Range - Operating | -40°C to +105°C |

**Material Info**

**Reference - Drawing Numbers**

|                       |  |
|-----------------------|--|
| Product Specification | PS-51111-001, PS-51111-002, PS-51111-003,<br>RPS-51111-001, RPS-51111-004, RPS-51111-005,<br>RPS-51111-006 |
| Sales Drawing         | SD-51111-**10  |



**EU RoHS**

**ELV and RoHS  
Compliant**  
**REACH SVHC**  
 Not Reviewed  
**Halogen-Free  
Status**

**China RoHS**



**Not Reviewed**

**Need more information on product  
environmental compliance?**

Email [productcompliance@molex.com](mailto:productcompliance@molex.com)  
 For a multiple part number RoHS Certificate of  
 Compliance, [click here](#)

Please visit the [Contact Us](#) section for any  
 non-product compliance questions.

**Search Parts in this Series**

[51111Series](#)

**Mates With**

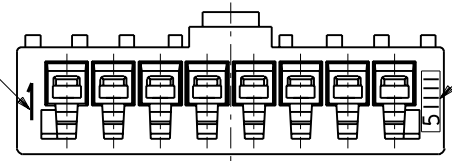
[51112](#) , [51112wr](#) , [53561](#) , [53730](#)

**Use With**

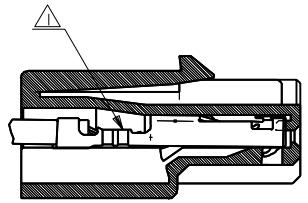
[50397](#)

DWG. NO. SD-51111-\*\*\*10

回路番号  
CIRCUIT NO. 1



ENG. NO.

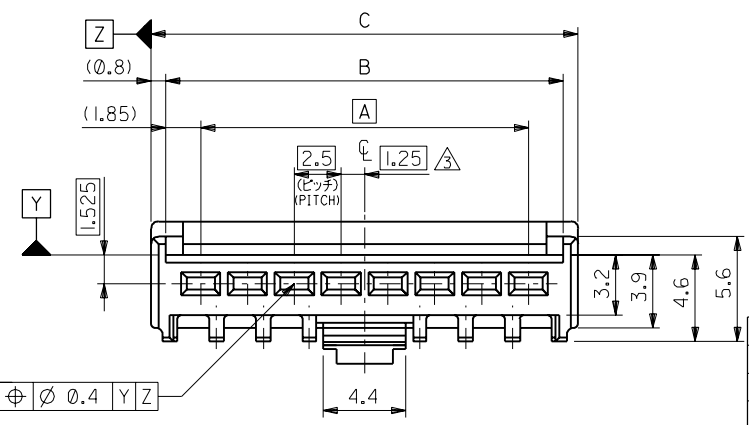
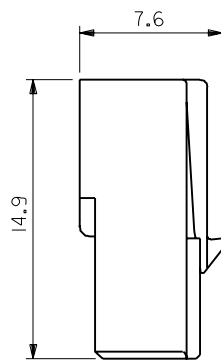
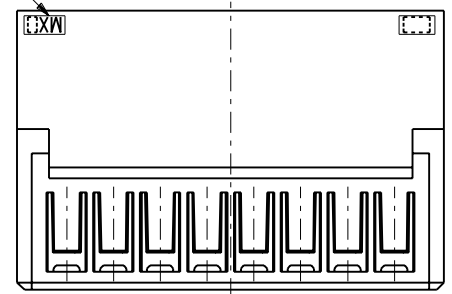


ターミナル装着状態図  
TERMINAL ASSEMBLY DRAWING

注記 NOTES

- △ 適合ターミナル：50397シリーズ  
APPLICABLE TERMINAL：50397 SERIES
- 2. 嵌合相手：51112,53730,53930シリーズ  
MATE WITH：51112,53730,53930 SERIES
- △ 偶数極の製品に適用。  
APPLY EVEN CIRCUIT PRODUCTS.

トレードマーク  
TRADE MARK



|      |      |      |            |                      |
|------|------|------|------------|----------------------|
| 40.3 | 38.7 | 35   | 51111-1510 | 15                   |
| 37.8 | 36.2 | 32.5 | ▲ -1410    | 14                   |
| 35.3 | 33.7 | 30   | -1310      | 13                   |
| 32.8 | 31.2 | 27.5 | -1210      | 12                   |
| 30.3 | 28.7 | 25   | -1110      | 11                   |
| 27.8 | 26.2 | 22.5 | -1010      | 10                   |
| 25.3 | 23.7 | 20   | -0910      | 9                    |
| 22.8 | 21.2 | 17.5 | -0810      | 8                    |
| 20.3 | 18.7 | 15   | -0710      | 7                    |
| 17.8 | 16.2 | 12.5 | -0610      | 6                    |
| 15.3 | 13.7 | 10   | -0510      | 5                    |
| 12.8 | 11.2 | 7.5  | -0410      | 4                    |
| 10.3 | 8.7  | 5    | ▼ -0310    | 3                    |
| 7.8  | 6.2  | 2.5  | 51111-0210 | 2                    |
| C    | B    | A    | ENG. NO.   | 極数<br>NO. OF<br>CKT. |

:MM DIMENSIONS IN METRIC DO NOT SCALE DRAWING

| 角度 ANGLE                | ±3°   |        |                        |          |          |
|-------------------------|-------|--------|------------------------|----------|----------|
| 30以上 OVER               | +0.3  | B      | 変更 REVISD (JC80015)    | K.T      | '97/7/1  |
| 10以上 30 未満 UNDER        | +0.25 | A      | 変更 REVISD (J40498)     | S.K      | '94/6/22 |
| 10 未満 UNDER             | +0.2  | 0      | 新規作成 RELEASED (J30895) | H.H      | '93/9/6  |
| 一般公差 GENERAL TOLERANCES |       | 記号 LTR | 変更内容 REVISION RECORD   | DR. CHK. | 日付 DATE  |

|                   |                          |
|-------------------|--------------------------|
| 材料 MATERIAL       | PBTP, UL94V-0 (白色 WHITE) |
| 仕上げ FINISH        | —                        |
| 適用電線範囲 WIRE RANGE | —                        |
| 被覆外径 INS. RANGE   | —                        |
| DRAWN BY '93/9/6  | CHK'D BY '97/7/7         |
| K.TOJO            | S.KUNISHI                |
| APP'D BY '97/7/7  | M.FUKUSHIMA              |
| 尺度 SCALE          | 4 : 1                    |

|   |     |
|---|-----|
| MOLEX-JAPAN CO.,LTD.<br>日本モレックス株式会社       |     |
| REVISE ONLY ON CAD SYSTEM                 |     |
| TITLE 名称                                  |     |
| 2.5 WIRE TO WIRE CONN. RECEPTACLE HOUSING |     |
| DWG. NO.                                  | REV |
| SD-51111-***10                            | B   |