

PLEASE CHECK WWW.MOLEX.COM FOR LATEST PART INFORMATION

Part Number: [0358962410](#)
Status: **Active**
Description: 1.02/2.28mm (.040/.090") Tab, Hybrid Wire-to-Wire Housing, Female, 24 Circuits

Documents:

[3D Model](#) [Product Specification PS-35896-2090 \(PDF\)](#)
[Drawing \(PDF\)](#) [RoHS Certificate of Compliance \(PDF\)](#)

General

Product Family Crimp Housings
 Series [35896](#)
 Product Name N/A

Physical

Circuits (maximum) 24
 Color - Resin Natural, Yellow
 Gender Female
 Glow-Wire Compliant No
 Material - Resin Polyester
 Number of Rows 2
 Packaging Type Bag
 Panel Mount Yes
 Pitch - Mating Interface (in) 0.098 In
 Pitch - Mating Interface (mm) 2.50 mm
 Stackable No
 Temperature Range - Operating -40°C to +80°C

Material Info

Reference - Drawing Numbers

Product Specification PS-35896-2090
 Sales Drawing SD-35896-002

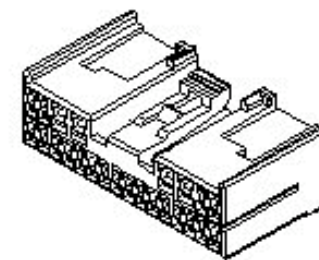


image - Reference only

Series

EU RoHS

ELV and RoHS Compliant
REACH SVHC
 Not Reviewed
Halogen-Free Status

China RoHS



Halogen-Free

Need more information on product environmental compliance?

Email productcompliance@molex.com
 For a multiple part number RoHS Certificate of Compliance, [click here](#)

Please visit the [Contact Us](#) section for any non-product compliance questions.

Search Parts in this Series

[35896Series](#)

Mates With

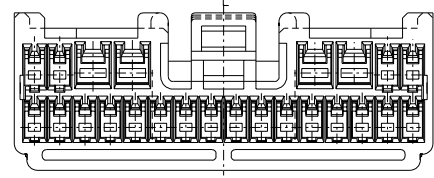
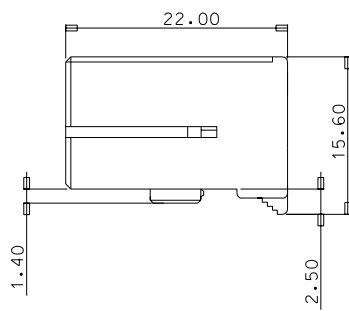
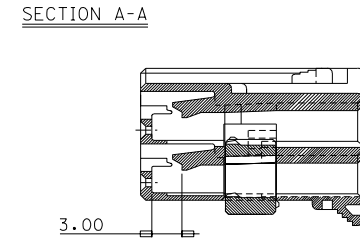
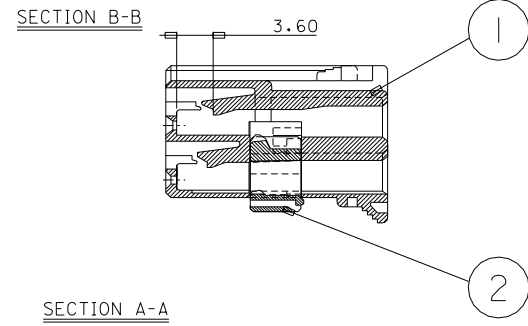
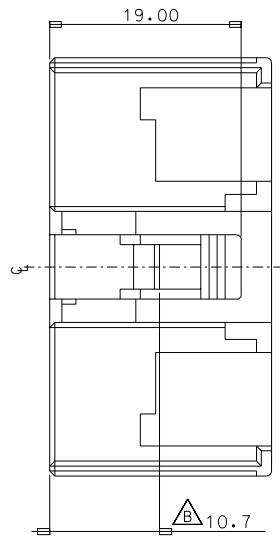
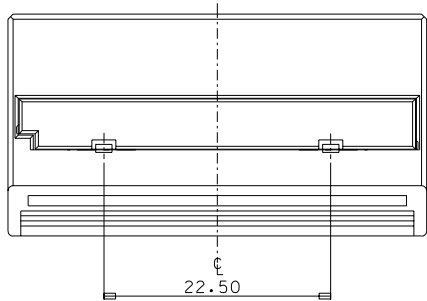
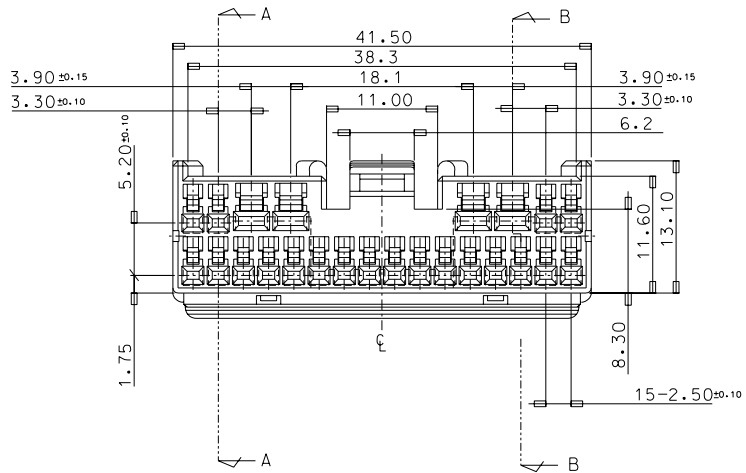
[35897](#)

Use With

[50654](#)

DWG. NO. SD-35896-002
 SIMILAR ITEM
 PROJECT NO.
 C
 B
 DO NOT SCALE DRAWING DIMENSION IN METRIC

NO.	PART NO.	PART NAME	MATERIAL	REMARK
I-1	35896-2490	.040/090 F/HSG 24P	POLYESTER	WHITE
I-2	35896-2491	.040/090 F/HSG 24P	POLYESTER	BLACK
I-3	35896-2495	.040/090 F/HSG 24P	POLYESTER	GRAY
4	35896-2483	.040/090 FEMALE TPA 24P	POLYESTER	YELLOW



NOTE

- MATERIAL & FINISH: SEE TABLE
- APPLICATION: .040/090 MALE HOUSING ASS'Y 24P(ENG. NO.:35897-2410)

3	358962415	35896-2415
2	358962411	35896-2411
1	358962410	35896-2410
NO.	MATERIAL NO.	ENG. NO.
DIMENSIONS:		SHT REV
<input type="checkbox"/> mm	<input type="checkbox"/> INCH	<input checked="" type="checkbox"/> mm ONLY
		REVISE ON CAD ONLY

RELEASE TO MANUFACTURING EC NO.: KOR2002-0139 DRWN: H.C.RHO 02/06/25 CHK: H.C.RHO 02/06/25 APPR: C.W.LEE 02/06/25	QUALITY SYMBOLS MAJOR CRITICAL	GENERAL TOLERANCES: (UNLESS SPECIFIED)		SCALE 2:1	DESIGN UNITS <input checked="" type="checkbox"/> mm <input type="checkbox"/> INCH	THIRD ANGLE PROJECTION	TITLE: .040/090 FEMALE HOUSING ASS'Y 24P MOLEX MOLEX INCORPORATED		
		4 PLACES ±0.	±.	mm	INCH	DRAWN BY & DATE 00/06/09 H.C.RHO			
		3 PLACES ±0.	±.			CHECKED BY & DATE 00/06/09 B.K.CHOI			
		2 PLACES ±0.2	±.			APPROVED BY & DATE 00/06/09 C.W.LEE			
1 PLACE ±0.3	±.	ANGULAR: ± 1 °		CAD FILENAME 49FHA24	MATERIAL NO. SEE CHART	DRAWING NO. SD-35896-002	SHEET NO. 1 OF 1	THIS DRAWING CONTAINS INFORMATION THAT IS PROPRIETARY TO MOLEX INCORPORATED AND SHOULD NOT BE USED WITHOUT WRITTEN PERMISSION.	
DRAFT WHERE APPLICABLE MUST REMAIN WITHIN DIMENSIONS							SIZE B		