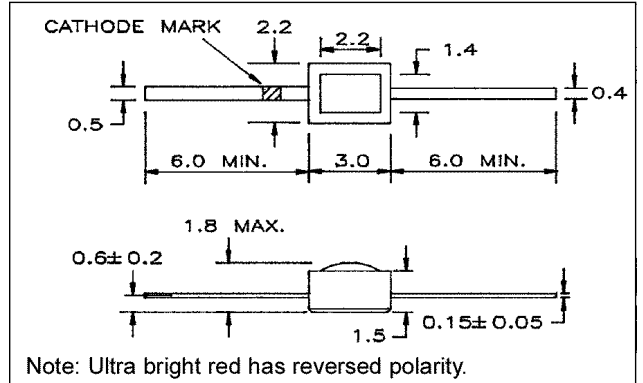


Features

All plastic mold type
Will fit in small space
Low current operation



Series Line-Up

Part Number	Color	Material
MT134AP-RG	Red	GaP
MT144AP-RG	Red	GaP
MT234AP-G	Yellow Green	GaP
MT244AP-G	Yellow Green	GaP
MT334AP-Y	Pure Yellow	GaAsP
MT344AP-Y	Pure Yellow	GaAsP
MT434AP-HR	High Efficiency Red	GaAsP
MT444AP-0	High Efficiency Red	GaAsP
MT444AP-HR	High Efficiency Red	GaAsP
MT734AP-UR	Super Ultra Bright Red	GaAlAs
MT744AP-UR	Ultra Bright Red	GaAlAs

Maximum Ratings (Ta=25°C)

Part Number	Forward Current I _F	Reverse Voltage V _R	Power Dissipation P _D	Operating Temperature T _{opr}	Storage Temperature T _{stg}
MT134AP-RG	30	5	85.00	-25 ~ +85	-25 ~ +100
MT144AP-RG	30	5	85.00	-25 ~ +85	-25 ~ +100
MT234AP-G	30	5	85.00	-25 ~ +85	-25 ~ +100
MT244AP-G	30	5	85.00	-25 ~ +85	-25 ~ +100
MT334AP-Y	30	5	85.00	-25 ~ +85	-25 ~ +100
MT344AP-Y	30	5	85.00	-25 ~ +85	-25 ~ +100
MT434AP-HR	30	5	85.00	-25 ~ +85	-25 ~ +100
MT444AP-0	30	5	85.00	-25 ~ +85	-25 ~ +100
MT444AP-HR	30	5	85.00	-25 ~ +85	-25 ~ +100
MT734AP-UR	30	4	70.00	-25 ~ +85	-25 ~ +100
MT744AP-UR	30	4	70.00	-25 ~ +85	-25 ~ +100
Unit	mA	V	mW	°C	°C

Electrical and Optical Characteristics (Ta=25°C)

Part Number	PWL nm λ_P	Material	View Angle $2\theta_{1/2}$	Luminous Intensity I_v				Forward Voltage V_F				Rev Current I_R	
				min.	typ.	max.	IF@	min.	typ.	max.	IF@	max.	VR@
MT134AP-RG	700	GaP	83°	2.20	3.60	-	20mA	-	2.10	3.00	20mA	100	5V
MT144AP-RG	700	GaP	83°	2.20	3.60	-	20mA	-	2.10	3.00	20mA	100	5V
MT234AP-G	567	GaP	83°	5.70	9.50	-	20mA	-	2.10	3.00	20mA	100	5V
MT244AP-G	567	GaP	83°	5.70	9.50	-	20mA	-	2.10	3.00	20mA	100	5V
MT334AP-Y	585	GaAsP	83°	4.70	7.90	-	20mA	-	2.10	3.00	20mA	100	5V
MT344AP-Y	585	GaAsP	83°	4.70	7.90	-	20mA	-	2.10	3.00	20mA	100	5V
MT434AP-HR	635	GaAsP	83°	6.60	11.00	-	20mA	-	2.10	3.00	20mA	100	5V
MT444AP-0	635	GaAsP	83°	6.60	11.00	-	20mA	-	2.10	3.00	20mA	100	5V
MT444AP-HR	635	GaAsP	83°	2.10	3.00	-	20mA	-	2.10	3.00	20mA	100	5V
MT734AP-UR	660	GaAlAs	83°	37.00	93.00	-	20mA	-	1.90	2.50	20mA	100	4V
MT744AP-UR	660	GaAlAs	83°	37.00	93.00	-	20mA	-	1.90	2.50	20mA	100	4V
-	nm	-	deg	mcd				-	V		-	μA	-

NOTES:

- All Dimensions are in millimeters.
- Tolerance is ± 0.25 mm unless otherwise stated.
- An Epoxy Meniscus may extend about 1mm down the leads.
- Burr around bottom of epoxy may be around 0.5mm MAX.
- Specifications are subject to change without notice.