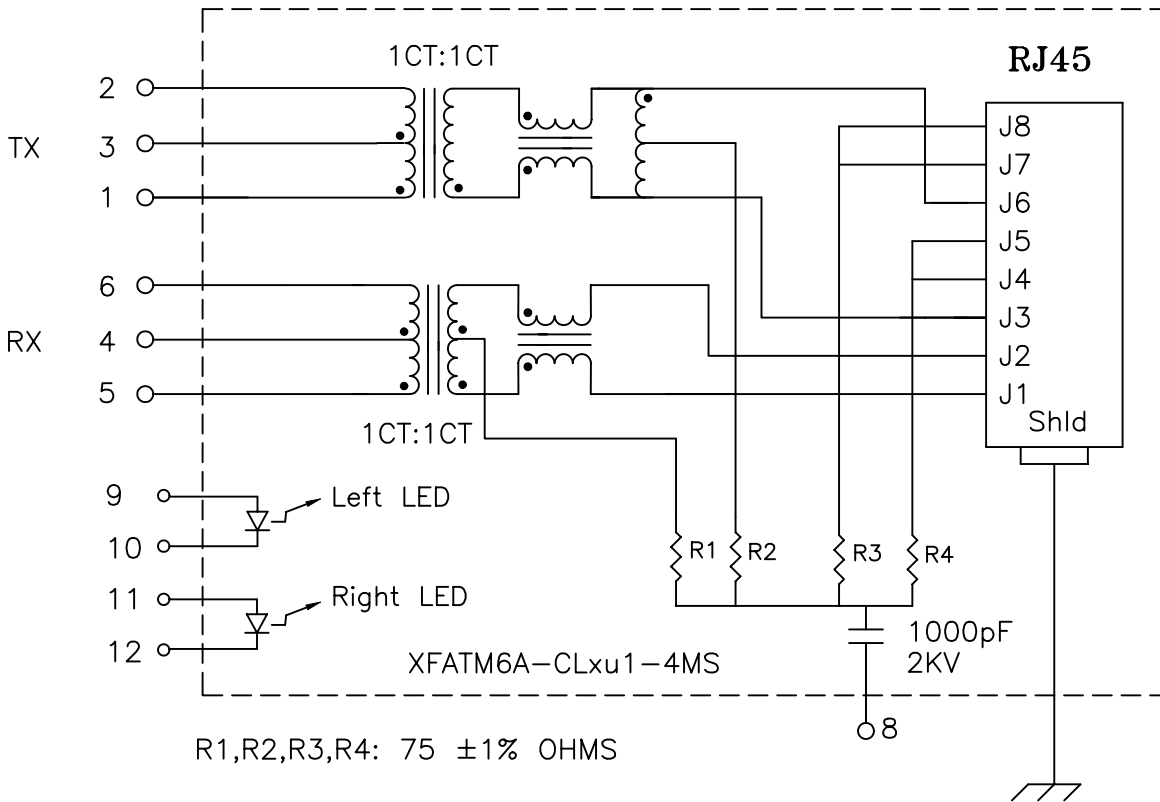


# Schematic:



## Electrical Specifications: @25°C

- Isolation Voltage: 1500 Vac
- Isolation Voltage: 500 Vac (6+5+4-3+2+1)
- UTP SIDE OCL: 350uH Min @100KHz 100mV 8mADC
- Rise Time (10-90%): 2.5ns Typical
- Insertion Loss (300KHz-100MHz): -1.1dB Maximum
- Insertion Loss (100MHz-125MHz): -1.5dB Maximum
- Return Loss: -12dB Typical @300KHz - 100MHz
- Crosstalk:
  - 100KHz-60MHz -40dB Typical
  - 60MHz-100MHz -38dB Typical
- Common Mode to Differential Mode Rejection:
  - 100KHz-60MHz -45dB Typ (Tx) / -40dB Typ (Rx)
  - 60MHz-100MHz -40dB Typ (Tx) / -35dB Typ (Rx)

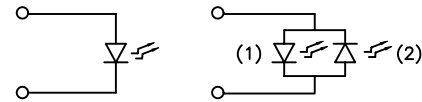
Complete the Combo P/N as follows:

Replace 'x' & 'u' in the part number with one of the LED color letters:

- Y=Yellow 'x' = Left LED Color
- G=Green 'u' = Right LED Color
- A=Amber
- R=Red
- C=Green(1)/Amber(2) Bicolor
- D=Amber(1)/Green(2) Bicolor
- M=Green(1)/Yellow(2) Bicolor
- N=Yellow(1)/Green(2) Bicolor
- P=Red(1)/Green(2) Bicolor
- Q=Green(1)/Red(2) Bicolor

Single Color LED:

Bi-Color LED:



Notes:

1. Solderability: Leads shall meet MIL-STD-202, Method 208D for solderability.
2. Flammability: UL94V-0
3. ASTM oxygen index: > 28%
4. Insulation System: Class F 155°C. UL file E151556
5. Operating Temperature Range: All listed parameters are to be within tolerance from -40°C to +85°C
6. Storage Temperature Range: -55°C to +125°C
7. Aqueous wash compatible

DOC. REV: A/1

**XFMRs Inc.**

Title:

**SINGLE PORT COMBO**

UNLESS OTHERWISE SPECIFIED

P/N: XFATM6A-CLxu1-4MS

REV. A

TOLERANCES:

DWN.

李小锋

Feb-5-04

.xxx ±0.010

CHK.

廖玉坤

Feb-5-04

Dimensions in Inch

APP.

BW

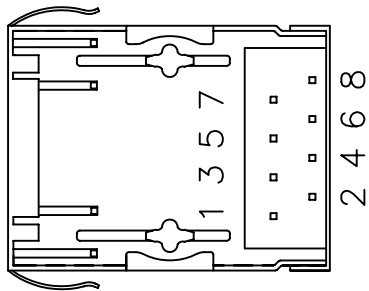
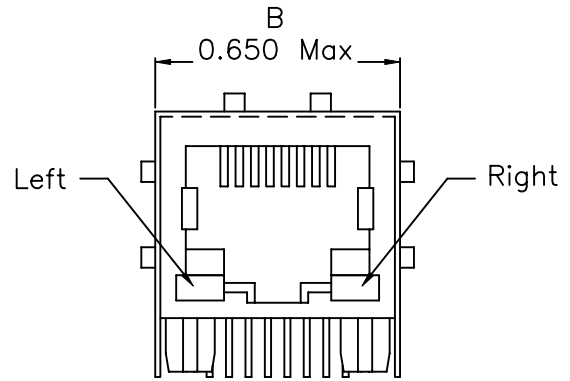
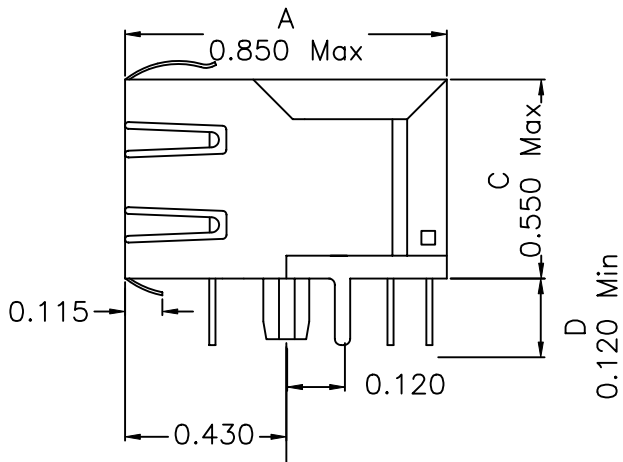
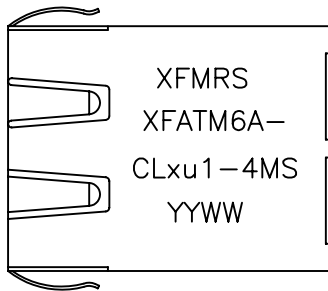
Feb-5-04

SHEET 1 OF 2

**PROPRIETARY:**

Document is the property of XFMRs Group & is not allowed to be duplicated without authorization.

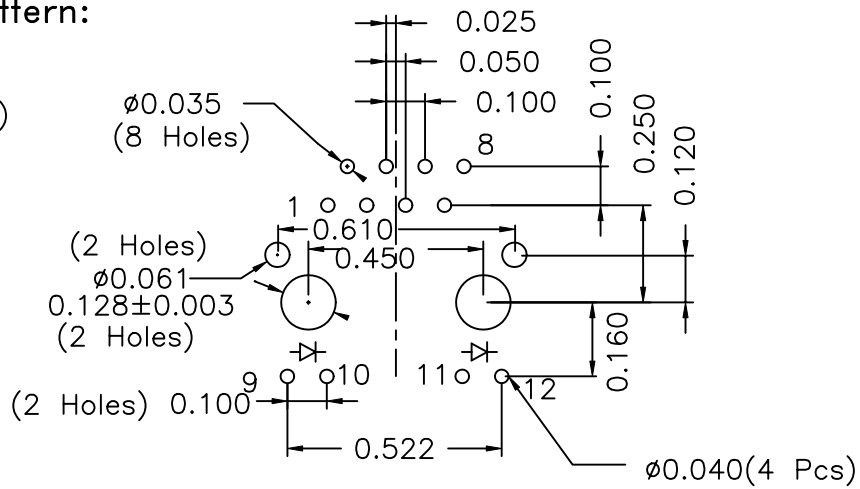
# Mechanical Dimensions:



(BOTTOM VIEW)

# Mounting Pattern:

(COMP SIDE)



DOC. REV: A/1

<b>XFMR5 Inc.</b>	Title: Mechanical Dimensions For CLxu1-4MS Series		
	UNLESS OTHERWISE SPECIFIED TOLERANCES: .xxx ±0.010 Dimensions in Inch	P/N: XFATM6A-CLxu1-4MS	REV. A
SHEET 2 OF 2	DWN.	李小锋	Feb-5-04
	CHK.	廖玉坤	Feb-5-04
	APP.	BW	Feb-5-04

**PROPRIETARY:**

Document is the property of XFMR5 Group & is not allowed to be duplicated without authorization.