

Technical Data Sheet

7344/V2T3-ASVA

Features

- Popular T-1 3/4package.
- High efficiency.
- General purpose leads.
- Selected minimum intensities.
- Available on tape and reel.
- The product itself will remain within RoHS compliant version.
- ESD-withstand voltage: up to 4K V



Descriptions

- The series is specially designed for applications requiring higher brightness.
- The LED lamps are available with different colors, intensities, epoxy colors, etc.

Applications

- Status indicators.
- Commercial use.
- Advertising Signs.
- Back lighting.

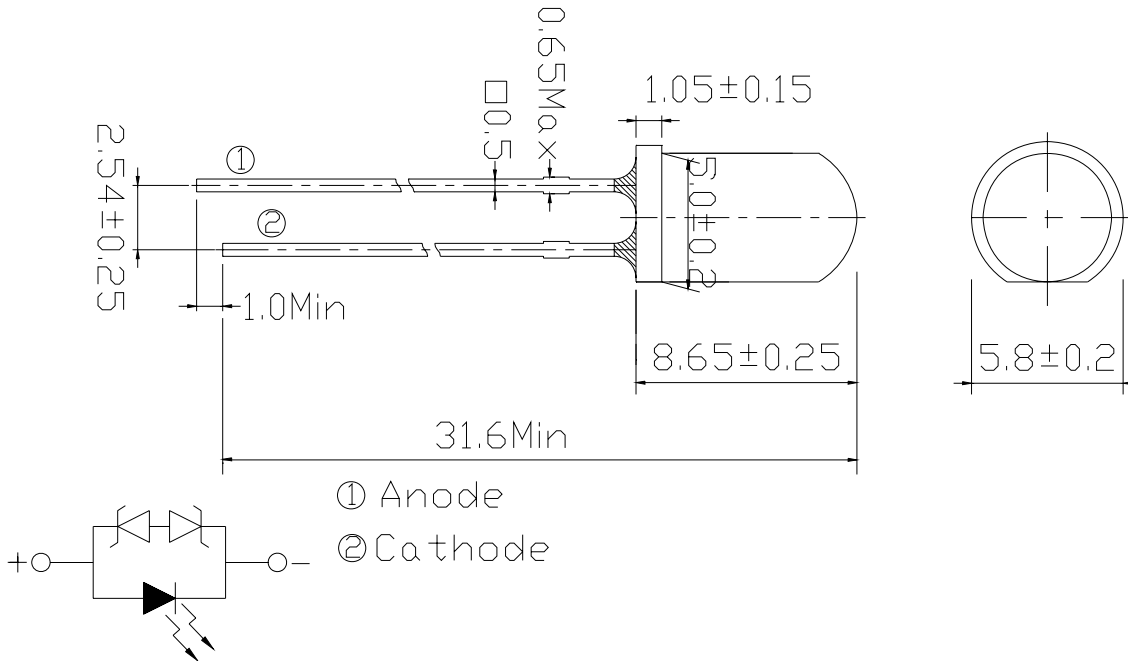
Device Selection Guide

LED Part No.	Chip		Lens Color
	Material	Emitted Color	
7344/V2T3-ASVA	InGaN	Super Blue Green	Green Trans

Technical Data Sheet

7344/V2T3-ASVA

Package Dimensions



Notes:

- Other dimensions are in millimeters, tolerance is 0.25mm except being specified.
- Protruded resin under flange is 1.5mm Max LED.
- Bare copper alloy is exposed at tie-bar portion after cutting.

Absolute Maximum Rating ($T_a=25^\circ\text{C}$)

Parameter	Symbol	Absolute Maximum Rating	Unit
Forward Current	I_F	30	mA
Pulse Forward Current (Duty 1/10 @ 1KHz)	I_{FP}	100	mA
Operating Temperature	T_{opr}	-40 ~ +85	$^\circ\text{C}$
Reverse Voltage	V_R	5	V
Storage Temperature	T_{stg}	-40 ~ +100	$^\circ\text{C}$
Electrostatic Discharge	ESD	4K	V
Soldering Temperature	T_{sol}	260 ± 5	$^\circ\text{C}$
Power Dissipation	P_d	110	mW
Zener Reverse Current	I_z	100	mA

Notes: Soldering time ≤ 5 seconds.



Technical Data Sheet

7344/V2T3-ASVA

Electro-Optical Characteristics ($T_a=25^{\circ}\text{C}$)

Parameter	Symbol	Min.	Typ.	Max.	Unit	Condition
Radiometric Intensity	I_V	5650	7150	----	mcd	$I_F=20\text{mA}$
Viewing Angle	$2\theta_{1/2}$	----	30	----	deg	
Peak Wavelength	λ_p	----	502	----	nm	
Dominant Wavelength	λ_d	----	505	----		
Spectrum Half width	$\Delta\lambda$	----	35	----		
Forward Voltage	V_F	----	3.2	3.6	V	
Reverse Current	I_R	----	----	50	μA	$V_R=5\text{V}$
Zener Reverse Voltage	V_Z	5.2	----	----	V	$I_Z=5\text{mA}$

Rank Combination ($I_F=20\text{mA}$)

Rank	S	T	U	V
Luminous Intensity	5650~7150	7150~9000	9000~11250	11250~14250

*Measurement Uncertainty of Luminous Intensity: $\pm 15\%$

Unit: :mcd

Rank	A			
Forward Voltage	2.8~3.0	3.0~3.2	3.2~3.4	3.4~3.6

*Measurement Uncertainty of Forward Voltage: $\pm 0.1\text{V}$

Unit:V

Rank	2	3	4
Dominant Wavelength	498~503	503~508	508~513

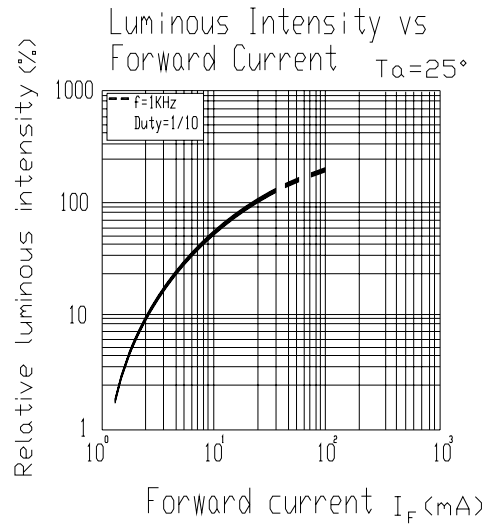
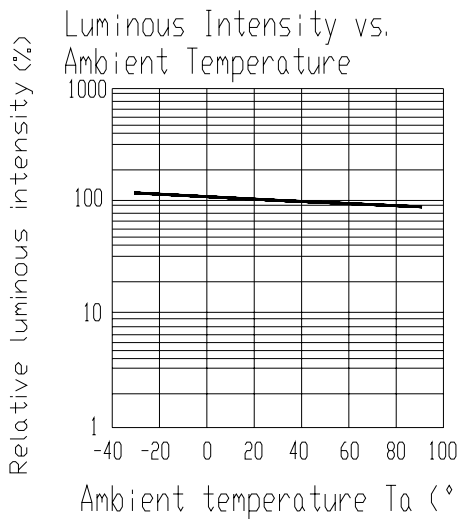
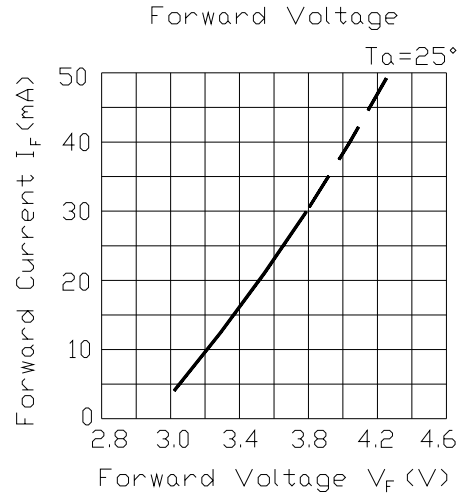
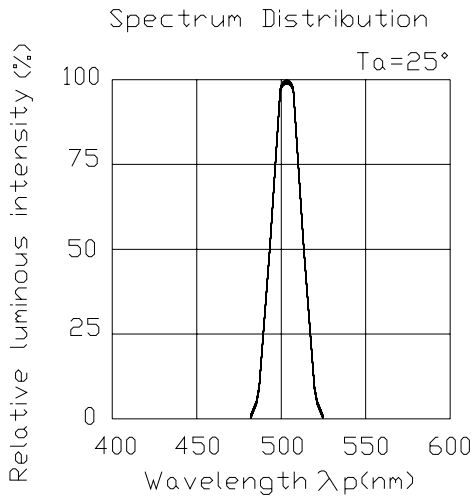
*Measurement Uncertainty of Dominant Wavelength $\pm 1.0\text{nm}$

Unit:nm

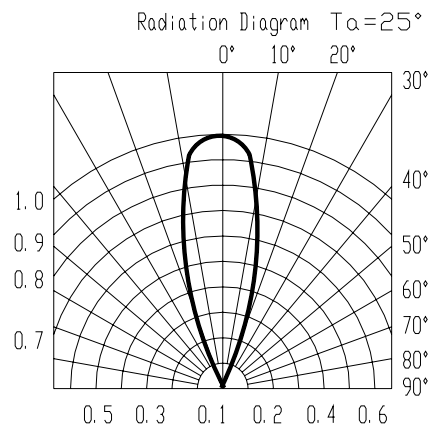
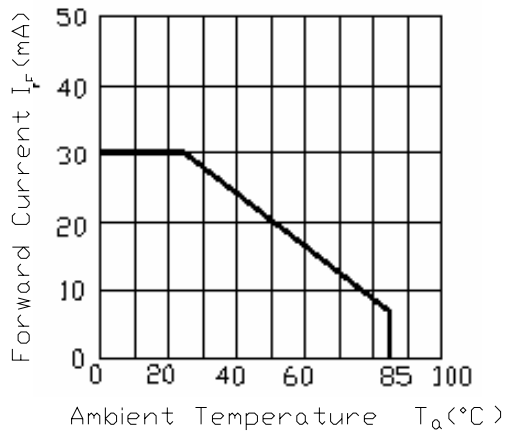
Technical Data Sheet

7344/V2T3-ASVA

Typical Electro-Optical Characteristics Curves



Forward Current Derating Curve





Technical Data Sheet

7344/V2T3-ASVA

Packing Quantity Specification

1.500PCS/1Bag , 5Bags/1Box

2.10Boxes/1Carton

Label Form Specification

EVERLIGHT	
CPN:	
P/N:	RoHS
7344/V2T3-ASVA	
QTY :	CAT:
	HUE:
LOT NO :	REF:
MADE IN TAIWAN	

CPN: Customer's Production Number

P/N : Production Number

QTY: Packing Quantity

CAT: Ranks of Luminous and Forward Voltage

HUE: Ranks of Dominant Wavelength

REF: Reference

LOT No: Lot Number

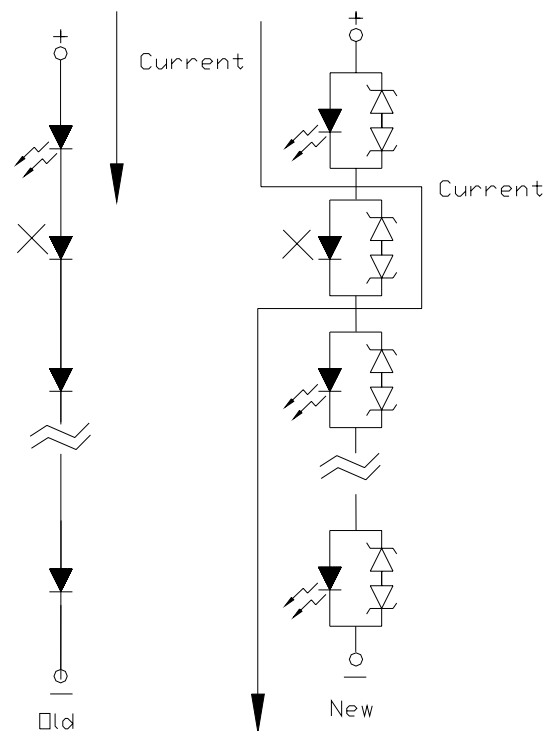
MADE IN TAIWAN: Production Place

Technical Data Sheet

7344/V2T3-ASVA

Notes

1. Above specification may be changed without notice. EVERLIGHT will reserve authority on material change for above specification.
2. When using this product, please observe the absolute maximum ratings and the instructions for using outlined in these specification sheets. EVERLIGHT assumes no responsibility for any damage resulting from use of the product which does not comply with the absolute maximum ratings and the instructions included in these specification sheets.
3. These specification sheets include materials protected under copyright of EVERLIGHT corporation. Please don't reproduce or cause anyone to reproduce them without EVERLIGHT's consent.
4. When the LED is connected using serial circuit, if either piece of LED is no light up but current can't flow through causing others to light down. In new design, the LED is parallel with zener diode. if either piece of LED is no light up but current can flow through causing others to light up.



EVERLIGHT ELECTRONICS CO., LTD.
 Office: No 25, Lane 76, Sec 3, Chung Yang Rd,
 Tucheng, Taipei 236, Taiwan, R.O.C

Tel: 886-2-2267-2000, 2267-9936
 Fax: 886-2267-6244, 2267-6189, 2267-6306
<http://www.everlight.com>