



# SERIES TL 6100 SWITCHES

## TACT SWITCHES - SEALED THRU-HOLE



### FEATURES & BENEFITS

- ▶ Multiple gram force options
- ▶ Multiple actuator lengths
- ▶ Process Sealed

### APPLICATIONS/MARKETS

- ▶ Telecommunications
- ▶ Consumer Electronics
- ▶ Audio/visual
- ▶ Medical
- ▶ Testing/instrumentation
- ▶ Computer/servers/peripherals

### SPECIFICATIONS

Contact Rating:	50mA@50 VDC
Life Expectancy:	50,000 cycles
Contact Resistance:	50mΩ max., typical @ 5 VDC 100mA for both silver and gold plated contacts
Insulation Resistance:	10000MΩ min.
Dielectric Strength:	300 VAC
Actuation Force:	130± 50 gf, 160± 50 gf, 300± 50 gf, 500± 100 gf
Operating Temperature:	-40°C to 85°C

### MATERIALS

Housing:	Nylon
Frame:	Copper alloy, tin plated
Actuator:	Nylon
Moving Contact:	Phoz. Bronze, plated
Terminals:	Copper alloy, plated



### HOW TO ORDER

SERIES	MODEL NO.	ACTUATOR ("L" Dimension)	OPERATING FORCE	CONTACT MATERIAL	TERMINATION
TL	6100 6105 = Earth Ground	A = 4.70mm B = 5.20mm C = 6.90mm D = 10.0mm	F130 F160 F300 F500	Q = Silver R = Gold	P = PC Pin



#### Example Ordering Number

TL-6100-A-F130-Q-P

TL	6110 Right Angle	A = 3.50mm B = 4.00mm C = 5.70mm D = 8.70mm	F130 F160 F300 F500	Q = Silver R = Gold	P = PC Pin
----	---------------------	--	------------------------------	------------------------	------------



#### Example Ordering Number

TL-6110-C-F300-R-P

TL	6120 Surface Mount	A = 4.70mm B = 5.20mm C = 6.90mm D = 10.00mm	F130 F160 F300 F500	Q = Silver R = Gold	G = Gullwing
----	-----------------------	---	------------------------------	------------------------	--------------



#### Example Ordering Number

TL-6120-B-F160-Q-G

Specifications subject to change without notice.



# SERIES TL 6100 SWITCHES

## TACT SWITCHES - SEALED THRU-HOLE

TACT SWITCHES

NAVIGATION SWITCHES

PUSHBUTTON SWITCHES

TOGGLE SWITCHES

ROCKER SWITCHES

SLIDE SWITCHES

SNAP-ACTION SWITCHES

DIP SWITCHES

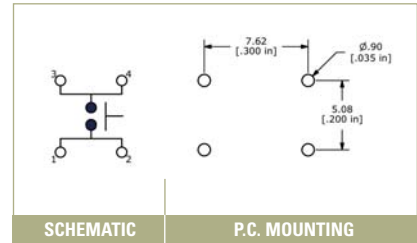
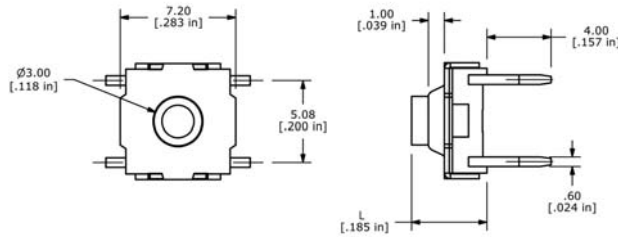
KEYLOCK SWITCHES

ROTARY SWITCHES

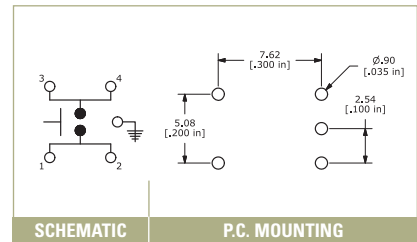
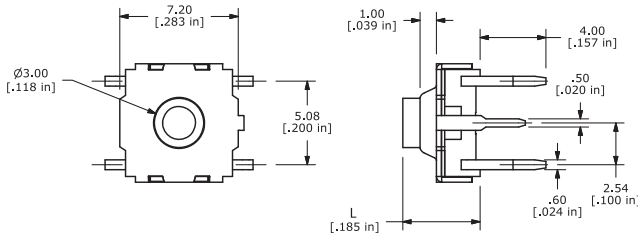
DETECTOR SWITCHES

CAP OPTIONS

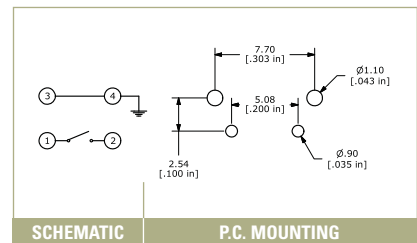
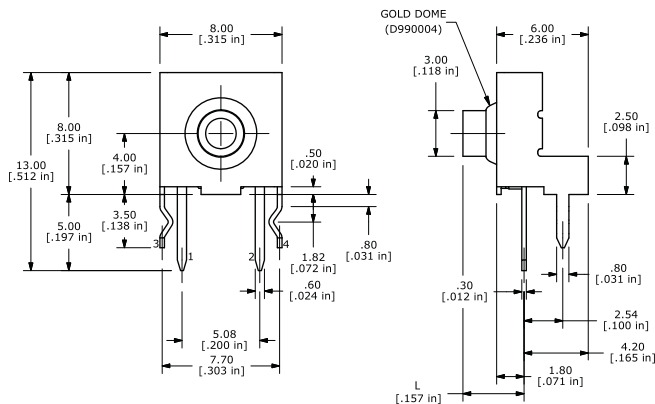
### TL 6100



### TL 6105



### TL 6110



### TL 6120

