

**PLEASE CHECK WWW.MOLEX.COM FOR LATEST PART INFORMATION**

**Part Number:** [0758612104](#)  
**Status:** **Active**  
**Overview:** [gbx\\_backplane\\_connector\\_system](#)  
**Description:** 1.85mm by 1.85mm (.073" by .073") Pitch 2-Pair GbX® Backplane L-Series Connector System, Left Guide Header, 50 Circuits, Gold (Au) 0.76µm (30µ"), Pin Length 4.55mm (.179")

**Documents:**

[Drawing \(PDF\)](#) [RoHS Certificate of Compliance \(PDF\)](#)  
[Product Specification PS-75221-999 \(PDF\)](#)

**General**

Product Family	Backplane Connectors
Series	<a href="#">75861</a>
Application	Backplane
Application Tooling Documents	<a href="http://www.molex.com/pdm_docs/ats/TM-622022099.pdf">Tooling Manual</a>
Comments	Left Guide Header, No Keying Postion
Component Type	PCB Header
Overview	<a href="#">gbx_backplane_connector_system</a>
Product Name	GbX®
Style	N/A

**Physical**

Circuits (Loaded)	50
Circuits (maximum)	50
Color - Resin	Gray (Dark)
Durability (mating cycles max)	200
First Mate / Last Break	No
Guide to Mating Part	Yes
Keying to Mating Part	None
Material - Metal	High Performance Alloy (HPA), Stainless Steel
Material - Plating Mating	Gold
Material - Plating Termination	Tin-Lead
Material - Resin	High Temperature Thermoplastic
Number of Columns	10
Number of Pairs	2
Number of Rows	5
Orientation	Vertical
PC Tail Length (in)	0.087 In
PC Tail Length (mm)	2.20 mm
PCB Locator	No
PCB Retention	Yes
PCB Thickness Recommended (in)	0.063 In
PCB Thickness Recommended (mm)	1.60 mm
Packaging Type	Tube
Pitch - Mating Interface (in)	0.073 In
Pitch - Mating Interface (mm)	1.85 mm
Pitch - Term. Interface (in)	0.073 In
Pitch - Term. Interface (mm)	1.85 mm
Plating min: Mating (µin)	30
Plating min: Mating (µm)	0.76
Plating min: Termination (µin)	30
Plating min: Termination (µm)	0.76
Polarized to PCB	No
Stackable	No

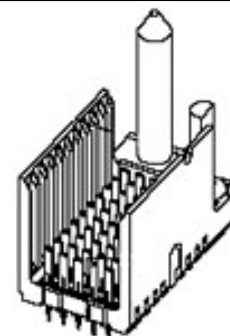


image - Reference only

Series

**EU RoHS**

**RoHS Compliant by Exemption**  
**REACH SVHC**  
 Not Reviewed  
**Halogen-Free**  
**Status**  
**Not Reviewed**

**China RoHS**



**Need more information on product environmental compliance?**

Email [productcompliance@molex.com](mailto:productcompliance@molex.com)  
 For a multiple part number RoHS Certificate of Compliance, [click here](#)

Please visit the [Contact Us](#) section for any non-product compliance questions.

**Search Parts in this Series**

[75861Series](#)

**Mates With**

[75676 Gbx Hybrid Daughtercard](#). [75671 GbX® L-Series Daughtercard](#)

**Application Tooling | FAQ**

*Tooling specifications and manuals are found by selecting the products below. Crimp Height Specifications are then contained in the Application Tooling Specification document.*

**Global**

Description	Product #
GbX® 2 Pair by 10 Wide L Series Insertion Module	<a href="#">0622022450</a>

Surface Mount Compatible (SMC)	Yes
Temperature Range - Operating	105°C
Termination Interface: Style	Through Hole - Compliant Pin

### **Electrical**

Current - Maximum per Contact	1A
Data Rate	8.0 Gbps
Real Signals (per 25mm)	67
Shielded	No
Voltage - Maximum	120V AC (RMS)/DC

### **Material Info**

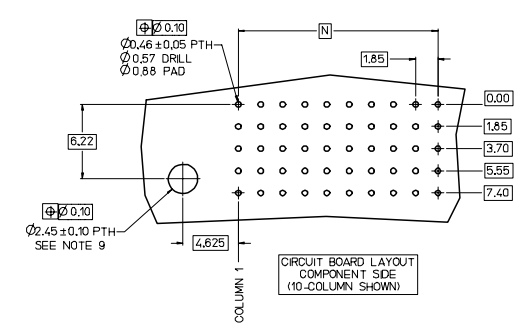
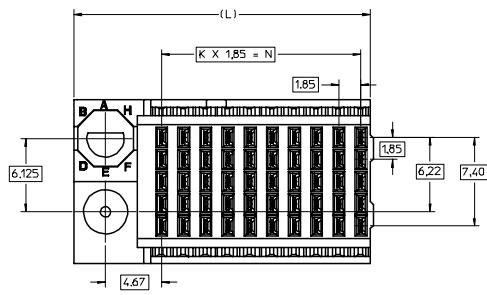
#### **Reference - Drawing Numbers**

Packaging Specification	PK-70873-5058
Product Specification	PS-75221-999
Sales Drawing	SD-75861-210

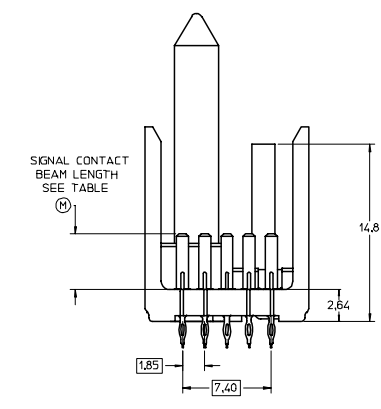
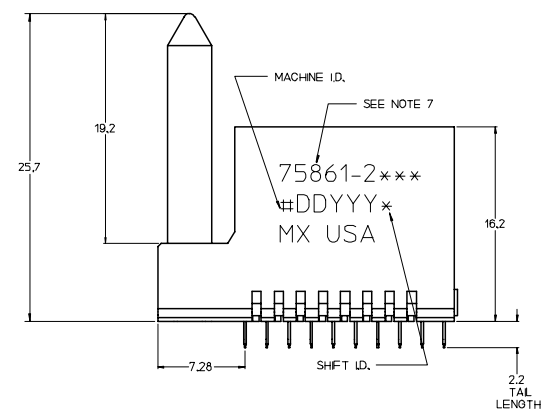
GbX is a registered trademark of Amphenol Corporation.

This document was generated on 05/14/2010

**PLEASE CHECK [WWW.MOLEX.COM](http://WWW.MOLEX.COM) FOR LATEST PART INFORMATION**



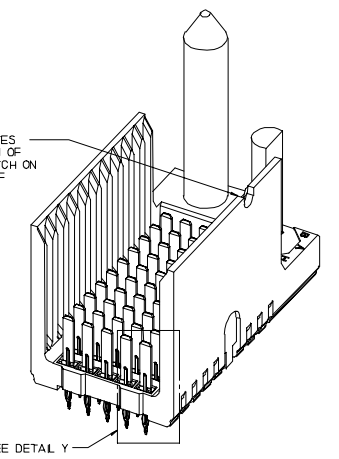
CIRCUIT BOARD LAYOUT  
COMPONENT SIDE  
(10-COLUMN SHOWN)



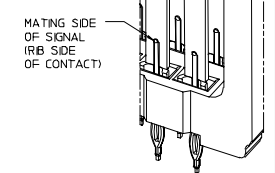
75861-2\*\*\*  
COLUMN  
21 = 10  
22 = 25  
25 = 5  
SIGNAL LENGTH  
DIMENSION "M"  
3 = 3.85mm (30 H Au)  
4 = 4.85mm (30 H Au)  
5 = 5.85mm (30 H Au)  
7 = 3.85mm (50 H Au)  
8 = 4.85mm (50 H Au)  
9 = 5.85mm (50 H Au)  
KEYING  
POSITION  
0 = NONE  
1 = A  
2 = B  
ETC.

CONFIGURATION			
ASSEMBLY NO.	K	N	(L)
75861-25**	4	7.40	15.53
75861-21**	9	16.85	24.78
75861-22**	24	44.40	52.53

NOTCH DESIGNATES  
APPROX. POSITION OF  
AL. ARCH & NOTCH ON  
OPPOSITE SIDE OF  
PART MARKING



P/N	-**0*	-**1*	-**2*	-**3*	-**4*	-**5*	-**6*	-**7*	-**8*
75861-1 )	0	A	B	C	D	E	F	G	H
KEYING PIN ORIENTATION									



- NOTES:  
1. MATERIAL: HOUSING - LIQUID CRYSTAL POLYMER (LCP), GLASS-FILLED  
UL 94V-0, GRAY, SIGNAL CONTACTS - HIGH PERFORMANCE COPPER ALLOY.  
2. FINISHES: SELECTIVE GOLD (Au) ON CONTACT AREA, SELECTIVE TIN/LEAD  
(Sn/Pb) ON TAIL AREA, NICKEL (Ni) OVERALL.  
3. 10-COLUMN ASSEMBLY SHOWN AS REFERENCE.  
SEE TABLE AND CHART FOR OTHER OPTIONS.  
4. PARTS PACKAGED PER PK-70873-5058.  
5. THIS PART CONFORMS TO MOLEX PRODUCT SPECIFICATION PS-75221-999.  
6. FOR MIXED CONTACT MATING LENGTH CONSULT MOLEX.  
7. EITHER MARK PART NUMBER AND DATE CODE  
APPROXIMATELY WHERE SHOWN OR PLACE A LABEL ON THE TUBE.  
8. MINIMUM CIRCUIT BOARD THICKNESS: 1.6  
9. OPTIONAL HOLE LOCATION FOR GROUNDED GUIDE PIN OR FOR ADDITIONAL  
GUIDE PIN SUPPORT. HOLE TO BE PLATED, DRILL SIZE  
Ø2.58, PAD SIZE Ø5.50  
10. THESE PARTS CONFORM TO MOLEX COSMETIC SPECIFICATION PS-45499-002 CLASS B.

REVISED	EC NO.	DRAWN	CHKD.	APPR.	SPEED	DESCRIPTION	QUALITY SYMBOLS		GENERAL TOLERANCES (UNLESS SPECIFIED)		DIMENSION STYLE		SCALE	DESIGN UNITS	THERMAL ANGLE PROJECTION	TITLE	
							mm	INCH	MM ONLY	MM ONLY							
REVISED	UCP2007-2780	2007/05/02	2007/05/02	2007/05/02	2007/05/02	DRIBN: JB INGHAM	▽=0	▽=0	4 PLACES ± --- ± ---	3 PLACES ± --- ± ---	2 PLACES ± --- ± ---	1 PLACE ± --- ± ---	MM ONLY	5:1	METRIC	90°	GBX 2-PAIR L-SERIES LEFT END BACKPLANE SALES ASSEMBLY DRAWING
						APPROVED BY: SREED			ANGULAR ± --- °								MOLEX MOLEX INCORPORATED
									DRAFT WHERE APPLICABLE MUST REMAIN WITHIN DIMENSIONS			SEE CHART					SD-75861-210
																	MOLEX MOLEX INCORPORATED