

PLEASE CHECK WWW.MOLEX.COM FOR LATEST PART INFORMATION

Part Number: [0505567512](#)
Status: **Active**
Description: Ring Tongue Terminal for 6 AWG, Closed Uninsulated Brazed Barrel, Stud Size 5/16" (M8), Oxygen-Free Copper, Length 29.50mm (1.161")

Documents:

[Drawing \(PDF\)](#) [RoHS Certificate of Compliance \(PDF\)](#)
[Product Specification PS-50555-001 \(PDF\)](#)

Agency Certification

UL E134962

General

Product Family Ring and Spade Terminals
 Series [50556](#)
 Crimp Quality Equipment Yes
 Mil-Spec N/A
 Product Name R (Ring)
 Type Ring

Physical

Barrel Type Closed - Brazed
 Insulation None
 Material - Plating Mating Tin
 Packaging Type Bag
 Plating min: Mating (µin) 40
 Plating min: Mating (µm) 1
 Plating min: Termination (µin) 40
 Plating min: Termination (µm) 1
 Stud Size 5/16" (M8)
 Termination Interface: Style Crimp or Compression
 Wire Size AWG 6
 Wire Size mm² 10.52 - 16.78

Material Info

Reference - Drawing Numbers

Product Specification PS-50555-001
 Sales Drawing SD-50556-001



image - Reference only

Series

EU RoHS

ELV and RoHS Compliant

REACH SVHC

Not Reviewed

Halogen-Free

Status

Not Reviewed

China RoHS



Need more information on product environmental compliance?

Email productcompliance@molex.com
 For a multiple part number RoHS Certificate of Compliance, [click here](#)

Please visit the [Contact Us](#) section for any non-product compliance questions.

Search Parts in this Series

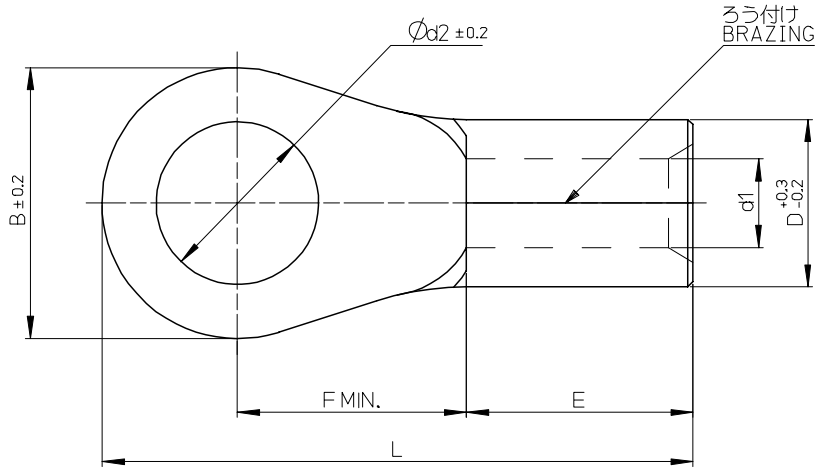
[50556Series](#)

Application Tooling | FAQ

Tooling specifications and manuals are found by selecting the products below. Crimp Height Specifications are then contained in the Application Tooling Specification document.

Japan

Description	Product #
Battery Type Hand Crimper For JIS Terminal	0573439004

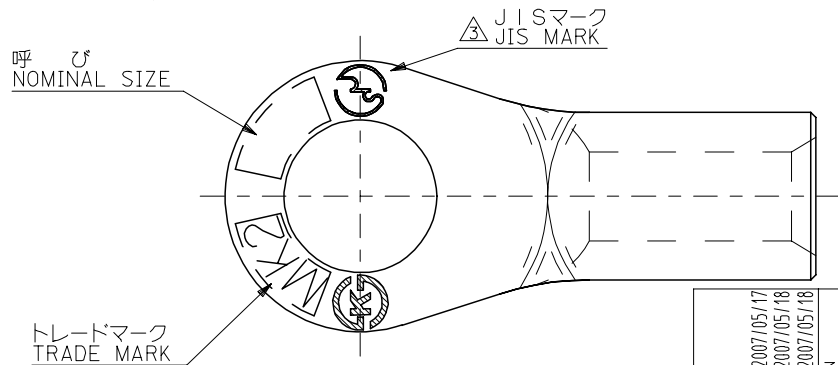
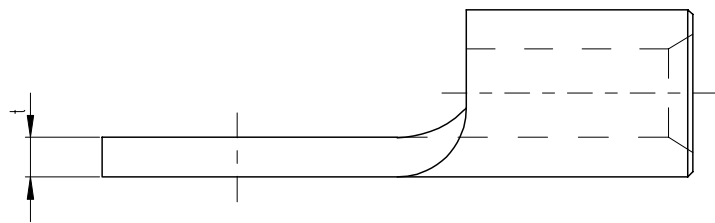


注記 NOTES

- 材質 MATERIAL
 端子：無酸素銅、錫めっき
 TERMINAL: OXYGEN-FREE COPPER, TIN PLATING
 ろう付け部：りん銅ろう
 PART OF BRAZING : COPPER PHOSPHORUS BRAZING FILLER METALS
- 適用電線 APPLICABLE WIRE RANGE

単線 SOLID WIRE	撚線 STRANDED WIRE
3.65 ~ 4.62 mm	10.52 ~ 16.78 mm ²

△ JIS認定品にのみ刻印。
 DIE STAMPED MARK IS ALLOWED ONLY
 FOR JIS FILED PRODUCTS.



1.6	6.4 ^{+0.2} 5.3 ^{+0.2} 11.6 ^{+0.2} 8.5 ^{+0.2}	29.5 ^{+0.5} 41 ^{+0.5} 29.5 ^{+0.5} 13	14 17.6 10.1 14.5	10 ^{+0.4} 9.5 ^{MIN}	5.8 ^{+0.3} 5.8 ^{+0.2}	9.1 9	10 22 12 16 12	14	S6	50556-7812
									S5	50556-7712
									11	50556-7612
									S8	50556-7512
JIS	1.45 ^{MIN}	8.4 ^{+0.4} 6.4 ^{+0.4} 5.3 ^{+0.2}	33 ^{MAX} 13 30 ^{MAX}	10 9.5	9.5 ^{MIN}	5.8 ^{+0.2}	9	12	12	50556-7412
									10	50556-7312
									8	50556-7212
									6	50556-7112
								5	50556-7012	

RELEASED EC NO: J2007-0312 DRW: H.YAJIMA 2007/05/17 CHK: K.KASAHARA 2007/05/18 APPR: N.UKITA 2007/05/18	GENERAL TOLERANCES (UNLESS SPECIFIED)	DIMENSION STYLE MM ONLY	SCALE ---	DESIGN UNITS METRIC	THIRD ANGLE PROJECTION	
	10 UNDER ± --- 10 OVER 30 UNDER ± --- 30 OVER ± ---	DRAWN BY DATE H. YAJIMA '06/08/21	TITLE RING TERMINAL			
	ANGULAR ± --- °	CHECKED BY DATE K. KASAHARA '06/08/21	MOLEX INCORPORATED			
	DRAFT WHERE APPLICABLE MUST REMAIN WITHIN DIMENSIONS	APPROVED BY DATE N. UKITA '06/08/21	MATERIAL NO. SEE CHART	DOCUMENT NO. SD-50556-001	SHEET NO. 1 OF 1	