



MAX1583 Evaluation Kit

Evaluates: MAX1583

General Description

The MAX1583 evaluation kit (EV kit) is a fully assembled and tested surface-mount circuit board for evaluating the MAX1583 white LED flash boost converter. The EV kit accepts a 2.6V to 5.5V input voltage and drives up to five series white LEDs with a constant current to provide camera flash/strobe in cell phones, PDAs, DSCs, and other hand-held devices. The MAX1583 switching frequency is 1MHz, allowing tiny external components. Two logic inputs control four modes of operation: shutdown mode (0.5 μ A max), movie mode for high-efficiency continuous lighting (programmable up to 100mA), precharge mode for charging a reservoir capacitor to 24V while the LEDs are off (POK output indicates a full reservoir capacitor), and strobe mode for firing the flash during an exposure with a regulated current programmable up to 300mA (100mA with installed components). A pushbutton pulse generator is installed to simulate a 30ms flash pulse.

The MAX1583 comes with the MAX1583X (1A current limit) installed, but the entire MAX1583 family can be evaluated with this EV kit with minor component changes.

Features

- ◆ Supports Up to 5 LEDs for Strobe/Flash
- ◆ Four Operational Modes
 - Strobe: Up to 300mA (Preset to 100mA)
 - Precharge: With POK Indicator
 - Movie: Up to 100mA (Preset to 20mA)
 - Shutdown: 0.01 μ A (typ) Quiescent Current
- ◆ Input Current Limiting
 - 1A (MAX1583X)
 - 500mA (MAX1583Y)
 - 250mA (MAX1583Z)
- ◆ 24V Output Overvoltage Protection
- ◆ 80% Efficient (P_{LED} / P_{IN}) Movie Mode
- ◆ Thermal-Shutdown Protection
- ◆ 10-Lead 3mm x 3mm TDFN Package
- ◆ Surface-Mount Components
- ◆ Fully Assembled and Tested

Ordering Information

PART	TEMP RANGE	IC PACKAGE
MAX1583EVKIT	0°C to +70°C	10 TDFN 3mm x 3mm

Note: To evaluate the MAX1583Y or MAX1583Z, request a MAX1583YETB or MAX1583ZETB free sample with the MAX1583 EV kit.

Component List

DESIGNATION	QTY	DESCRIPTION
C1	1	22 μ F, 6.3V X5R ceramic capacitor (0805) TDK C2012X5R0J226M
C2	1	10 μ F \pm 10%, 25V X5S ceramic capacitor (1206) Taiyo Yuden TMK316C106KL
C3, C4	2	0.01 μ F \pm 10%, 16V X7R ceramic capacitors (0402) TDK C1005X7R1E103K
C5	1	0.1 μ F \pm 10%, 25V X7R ceramic capacitor (0603) TDK C1608X7R1E104K
D1	1	30V, 500mA, $V_F = 0.4V$ Schottky diode (SOD-323) Diodes, Inc. B0530WS

DESIGNATION	QTY	DESCRIPTION
D2	1	White LED module Nichia NBCW011T
D5	1	30V, 100mA Schottky diode (SOD 523) Central Semiconductor CMOSH-3
JU1, JU2	2	3-pin headers
JU3	1	2-pin header
L1	1	4.7 μ H, 1.06A, 450m Ω TOKO 984FB-4R7M
R1	1	6.04k Ω \pm 1% resistor (0402)
R2	1	3.01k Ω \pm 1% resistor (0402)
R3, R4, R5	3	100k Ω \pm 5% resistors (0402)
SW1	1	Momentary pushbutton switch Panasonic EVQ-PHP03T

MAX1583 Evaluation Kit

Component List (continued)

DESIGNATION	QTY	DESCRIPTION
U1	1	MAX1583XETB (10-pin TDFN)
U2	1	MAX6422XS23 (SOT23)
None	2	Shunts
None	1	MAX1583 EV kit PC board

Recommended Equipment

- 0 to +6V at 1A, variable-output power supply
- Two digital multimeters (DMMs)

Quick Start

The MAX1583 EV kit is fully assembled and tested. Perform the following steps to verify board operation:

- 1) Verify that shunts are across pins 2 and 3 of jumpers JU1 (EN2) and JU2 (EN1). This places the MAX1583 into shutdown mode.
- 2) Verify that JU3 is open.
- 3) Preset the power supply to 2.7V and turn off. **Do not turn on the power supply until all connections are completed.**
- 4) Connect the positive lead of the power supply to the VIN pad on the EV kit PC board. Connect the ground lead of the power supply to the GND pad on the EV kit PC board.
- 5) Connect the positive lead of one DMM to the OUT pad on the EV kit PC board and connect the negative lead of the DMM to the GND pad. This DMM measures the voltage at OUT (V_{OUT}).
- 6) Connect the positive lead of the other DMM to POK on the EV kit PC board and connect the negative lead of the DMM to the GND pad. This DMM measures the voltage at POK (V_{POK}).
- 7) Turn on the power supply.
- 8) Verify that the white LED module is off.
- 9) Remove the shunt on JU2 and place it between pins 1 and 2 of JU2. This places the MAX1583 into movie mode.
- 10) Verify that the white LED module lights up. V_{OUT} should read approximately 7V.
- 11) Sweep the input voltage from 2.7V to 5.5V, verifying that the LED module remains on with constant brightness and V_{OUT} does not change.
- 12) Set the power supply to 2.7V.

13) Remove the shunt on JU2 and place it between pins 1 and 2 of JU3. Remove the shunt on JU1 and place it between pins 1 and 2 of JU1. This places the MAX1583 into precharge mode.

14) Verify that the white LED module is off. Verify that V_{OUT} is approximately 23.5V and V_{POK} is approximately 2.7V.

15) Sweep the power supply to 5.5V. Verify that the LED module remains off, V_{OUT} is approximately 23.5V, and V_{POK} tracks V_{VIN} .

16) Set the power supply to 3.3V.

17) Push the button on the bottom of the EV kit. This enables a strobe/flash.

18) Verify that the LED module flashes.

Detailed Description

Jumper Selection

EN1 and EN2 on the MAX1583 provide control for shutdown mode, movie mode, precharge mode, and strobe mode. Jumpers JU1 and JU2 connect EN2 and EN1 to either VIN or GND (see Table 1). An external signal can be used to drive EN1 or EN2 by removing the corresponding shunt completely from the jumper and connecting the external signal to the appropriate connecting pad. JU3 enables the pulse generator for the strobe mode. **JU3 must be open if a jumper is installed on JU2 or if EN1 is externally driven.**

Setting LED Current

The preset LED current in movie mode is 20mA. To set a different movie-mode LED current, change R2, where $R2 = 60 / I_{LED(MOVIE)}$. The MAX1583 is capable of movie-mode currents up to 100mA.

The preset LED current in strobe mode is 100mA. To set a different strobe-mode LED current, change R1, where $R1 = 600 / I_{LED(STROBE)}$. The MAX1583 can regulate strobe-mode LED currents up to 300mA; however, the LED installed on the MAX1583 EV kit has a maximum pulse-current rating of 100mA. If larger currents are desired, a new LED with a higher pulsed current rating must be installed on the EV kit.

Evaluating Off-Board LEDs

The MAX1583 EV kit allows for easy evaluation of off-board LEDs. To evaluate off-board LEDs, first remove the installed LED module, D2. Next, connect the pad labeled OUT on the EV kit to the anode of the series LED string under evaluation and connect the cathode of the external series LED string to the EV kit pad labeled LED.

MAX1583 Evaluation Kit

Evaluates: MAX1583

Changing the Strobe Pulse Width

The MAX1583 EV kit includes a pulse generator for convenience in evaluating the strobe function of the MAX1583. The strobe pulse width is determined by C4. To change the pulse width of the strobe, replace C4 with a capacitor corresponding to the following equation:

$$C4 = \frac{t_{PULSE} - 275\mu s}{2.73 \times 10^6}$$

The minimum pulse width of the pulse generator is 1ms. Using a strobe pulse longer than 30ms may require a larger output reservoir capacitance (C2). Refer to the *Reservoir Capacitance vs. Current Limit* section in the MAX1583 data sheet for details on calculating the required capacitance.

Table 1. JU1 and JU2 Functions (Dimming Control)

JU2 POSITION	EN1	JU1 POSITION	EN2	MAX1583 OUTPUT
1 and 2	Connected to VIN	1 and 2	Connected to VIN	Strobe Mode
1 and 2	Connected to VIN	2 and 3	Connected to GND	Movie Mode
2 and 3	Connected to GND	1 and 2	Connected to VIN	Precharge Mode
2 and 3	Connected to GND	2 and 3	Connected to GND	Shutdown Mode

Component Suppliers

SUPPLIER	COMPONENT	PHONE	WEBSITE
Diodes, Inc.	Schottky Diode	805-440-4800	www.diodes.com
Nichia	LEDs	717-285-2323	www.nichia.com
Panasonic	Resistors	714-373-7366	www.maco.panasonic.co.jp
Taiyo Yuden	Capacitors	408-573-4150	www.t-yuden.com
TDK	Capacitors	888-835-6646	www.component.tdk.com

Note: Indicate that you are using the MAX1583 when contacting these suppliers.

MAX1583 Evaluation Kit

Evaluates: MAX1583

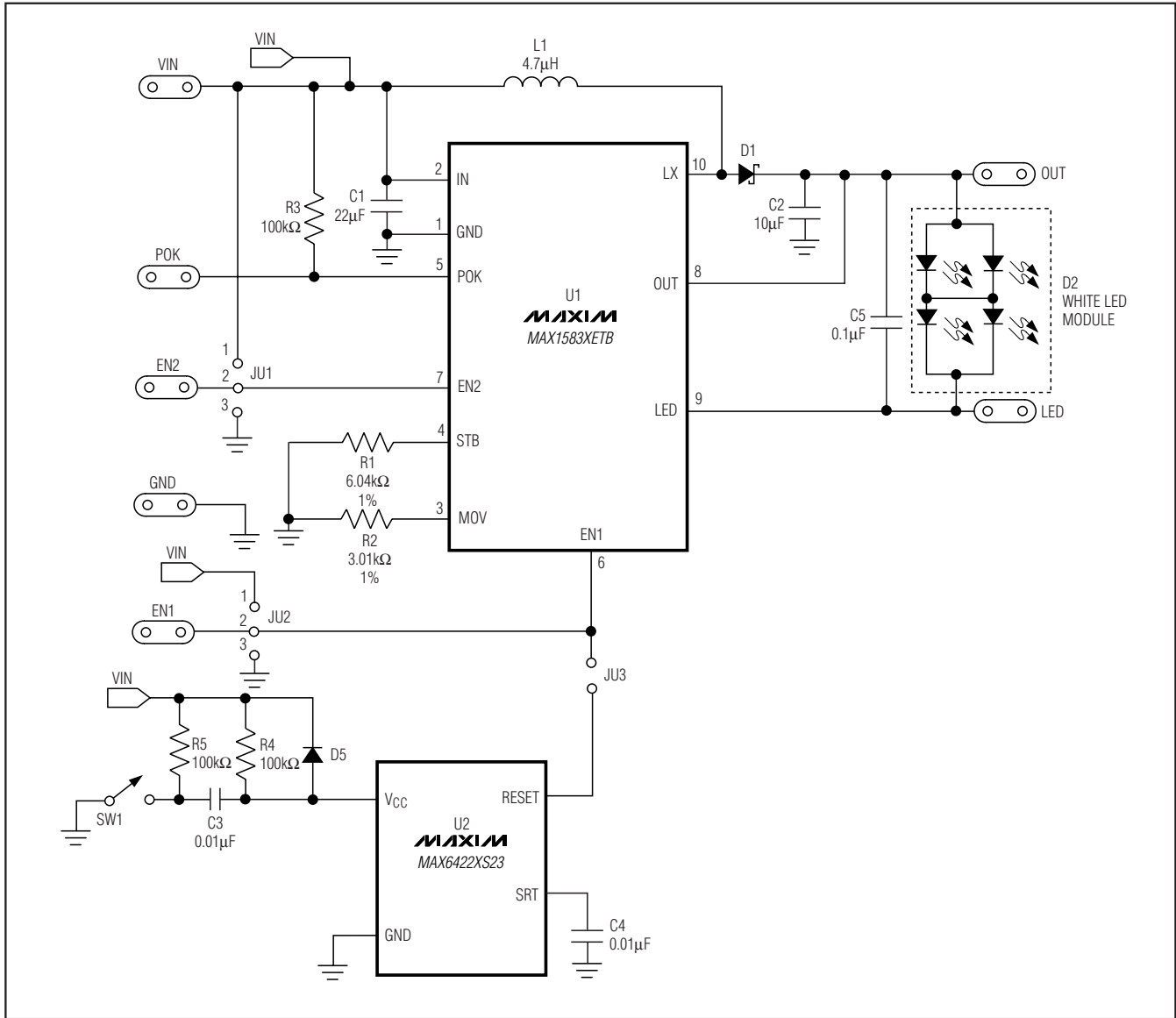


Figure 1. MAX1583 EV Kit Schematic

MAX1583 Evaluation Kit

Evaluates: MAX1583

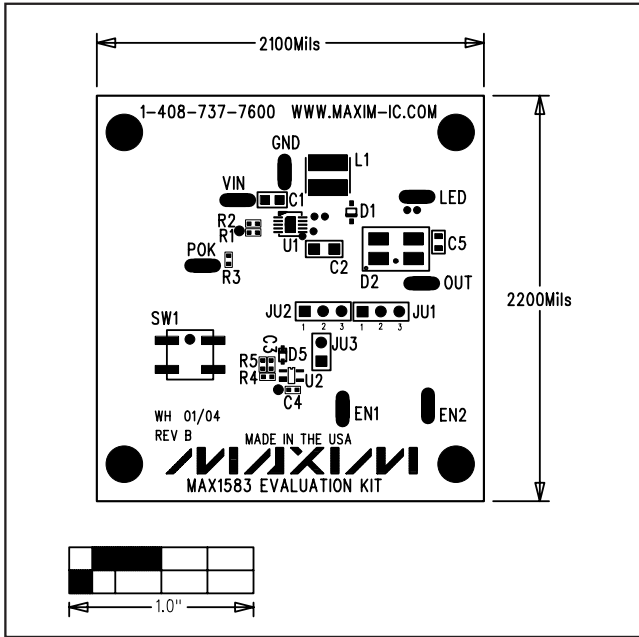


Figure 2. MAX1583 EV Kit Component Placement Guide—Top Silkscreen

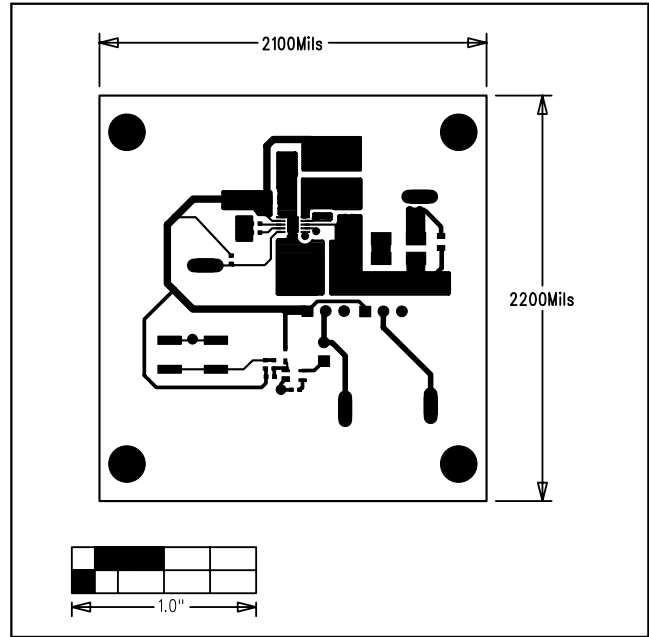


Figure 3. MAX1583 EV Kit PC Board Layout—Component Side

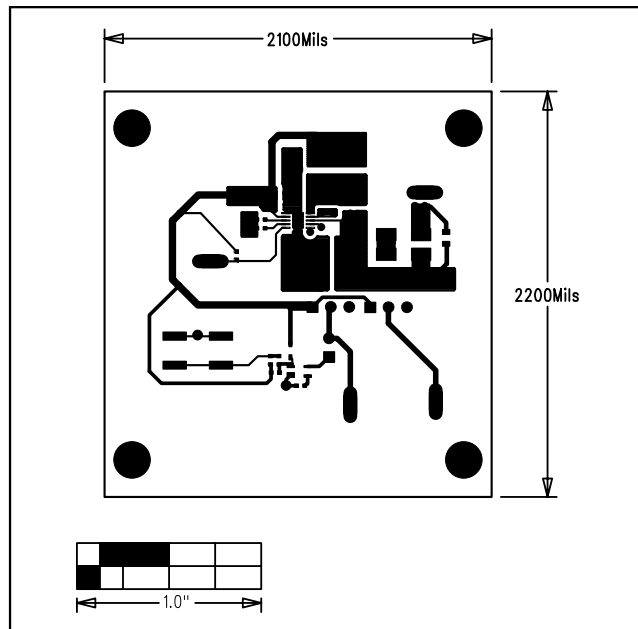


Figure 4. MAX1583 EV Kit PC Board Layout—Solder Side

Maxim cannot assume responsibility for use of any circuitry other than circuitry entirely embodied in a Maxim product. No circuit patent licenses are implied. Maxim reserves the right to change the circuitry and specifications without notice at any time.

Maxim Integrated Products, 120 San Gabriel Drive, Sunnyvale, CA 94086 408-737-7600 _____ 5