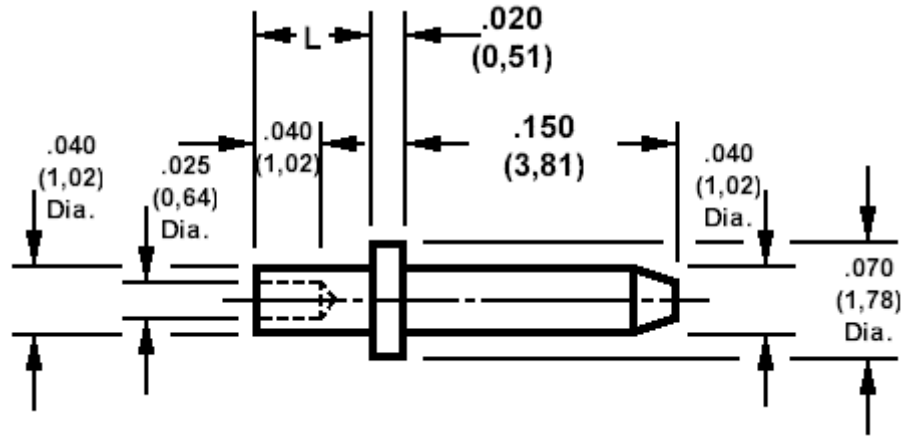


460-2971 Swage mount, .040 (1,02) diameter pin

Recommended mounting hole .042 (1,09) ± .001 (0,03).



How to order code

460-2971-XX-YY-00

Basic Part No XX = L dimension, YY = Plating Finish

DIMENSIONS (XX)			
Basic Part Number	(XX)	L	For Board Thickness
460-2971	-01	.051 (1,30)	.031 (0,79)
	-02	.081 (2,08)	.061 (1,57)
	-03	.113 (2,87)	.094 (2,39)

MATERIALS			
Component	Material	Finish (-03)	Finish (-04)
Pin	Brass	Gold over Nickel	Electro-tin over copper

SWAGE TOOLING	
Recommended Swaging Tools:-	
Anvil	435-6468-01-00-00
Flare Punch	435-6690-01-00-00
Roll Punch	435-6642-01-00-00