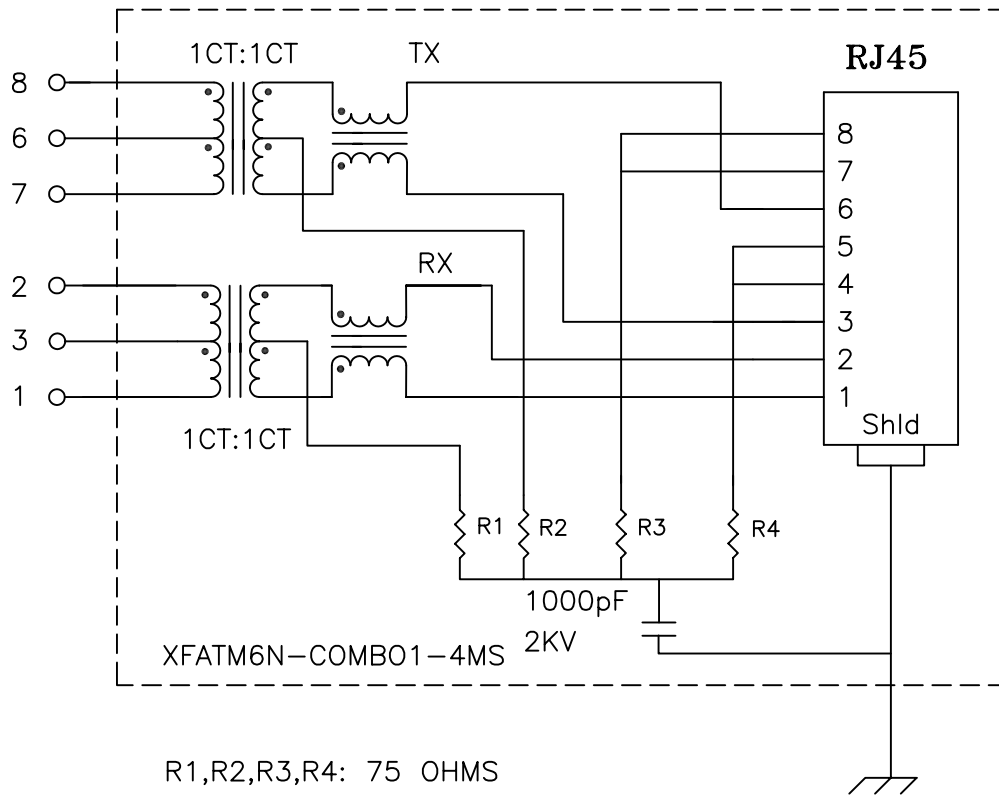


Schematic:



Electrical Specifications: @25°C

- Isolation Voltage: 1500 Vrms (Input to Output)
- Isolation Voltage: 500 Vrms (P1+2+3 to P6+7+8)
- Turns Ratio: TX 1CT:1CT $\pm 3\%$ RX 1CT:1CT $\pm 3\%$
- CABLE SIDE OCL: 350uH Minimum @100KHz 100mV 8mADC
- Cw/w: 27pF Typical @100KHz 100mV
- Insertion Loss (300KHz-100MHz): 1.0dB Max
- Return Loss: @30MHz 18dB Minimum
- @80MHz 12dB Minimum
- Q: 18 Min @100KHz 100mV

Notes:

1. Solderability: Leads shall meet MIL-STD-202G, Method 208H for solderability.
2. Flammability: UL94V-0
3. ASTM oxygen index: > 28%
4. UL Recognized Component: File Number E200238
5. Operating Temperature Range: All listed parameters are to be within tolerance from -40°C to +85°C
6. Storage Temperature Range: -55°C to +125°C
7. Aqueous wash compatible
8. Electrical and mechanical specifications 100% tested
9. RoHS Compliant Component

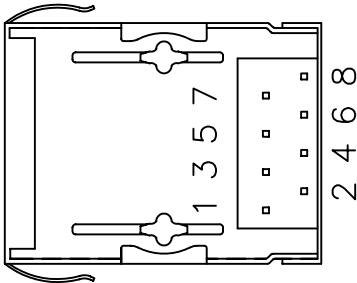
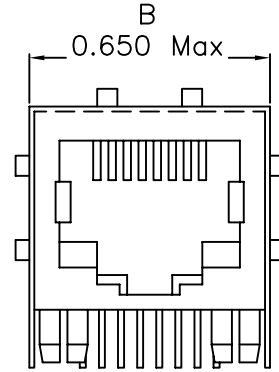
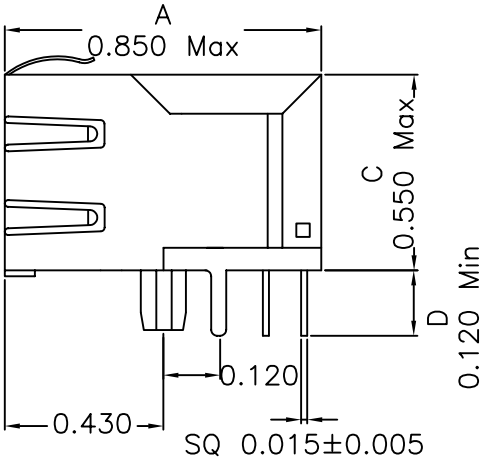
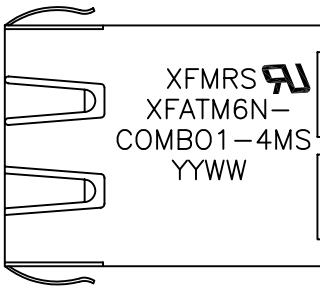
XFMRs Inc. www.XFMRS.com	Title: SINGLE PORT COMBO		
	UNLESS OTHERWISE SPECIFIED		P/N: XFATM6N-COMBO1-4MS
TOLERANCES:		DWN.	Mei Chen
.xxx ± 0.010		CHK.	YK Liao
Dimensions in Inch		APP.	BW
SHEET 1 OF 2			REV. A
			Jul-27-10
			Jul-27-10
			Jul-27-10

DOC. REV: A/3

PROPRIETARY:

Document is the property of XFMRs Group & is not allowed to be duplicated without authorization.

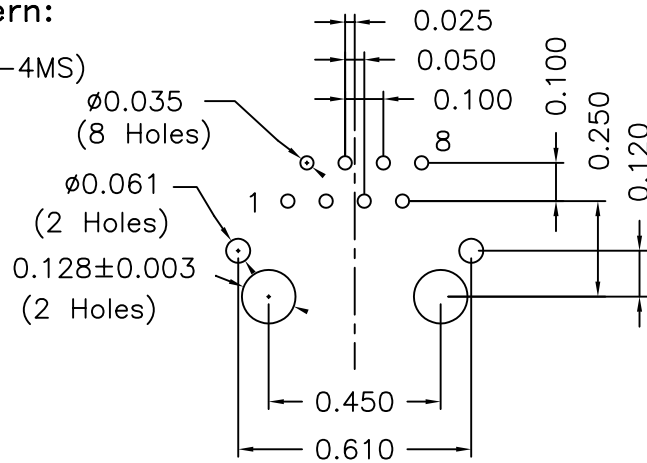
Mechanical Dimensions:



(BOTTOM VIEW)

Mounting Pattern:

(FOR COMBO1-4MS)
(COMP SIDE)



DOC. REV: A/3

XFMRs Inc.
www.XFMRS.com

Title: Mechanical Dimensions
For COMBO1-4MS Series

UNLESS OTHERWISE SPECIFIED
TOLERANCES:
.xxx ±0.010
Dimensions in Inch

P/N: XFATM6N-COMBO1-4MS

REV. A

DWN.

Mei Chen

Jul-27-10

CHK.

YK Liao

Jul-27-10

APP.

BW

Jul-27-10

PROPRIETARY:

Document is the property of XFMRs Group & is not allowed to be duplicated without authorization.

SHEET 2 OF 2